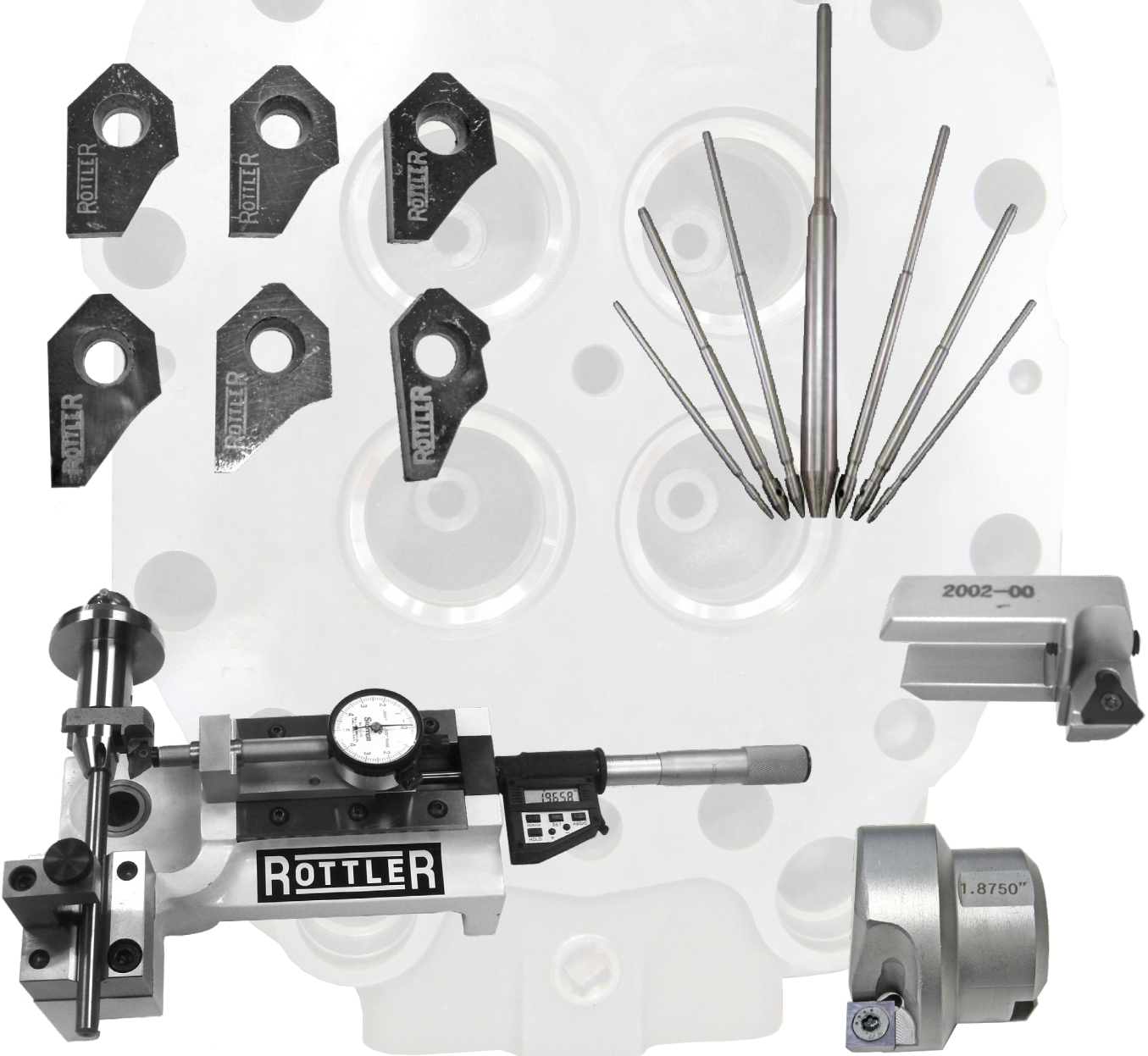


ROTTLER

SG9MTS OPTIONAL EQUIPMENT CATALOG



ORDERING PROCEDURE

Contact your regional Rottler sales rep for assistance in ordering optional equipment, replacement parts, or tooling.

If you are unable to contact your regional Rottler sales rep, call the factory at 253-872-7050 and ask to speak to the parts sales specialist.

Have the following information handy to expedite the ordering process:

1. Your name, business name, and contact number
2. Customer number
3. If you don't have a customer number, your billing address
4. Shipping address if different from billing address
5. Machine model and serial number
6. Part number and description of what you want to order
7. Preferred method of shipment

You may also contact us via e-mail with the above information. Send e-mail requests to: parts@rottermfg.com or intlparts@rottermfg.com

In some cases you may be requested to send a photo of the part you are ordering if it is a replacement part, or doesn't appear in the database.

If you are unsure which part you need to order, contact our service department and ask to speak to one of our service consultants. They will assist you in determining which part you require.

THERE IS A MINIMUM ORDER OF \$25.00

Contents

Optional Fixtures	1
MAN-FIX-SG9MTS Universal Manual Bolt Down 360° Roll Over Cylinder Head Fixture.....	1
TILT-FIX Universal Quick Clamp Tilt Fixture	2
TILT-FIX-AUTO Automatic Universal Quick Clamp Tilt Fixture	2
PER-FIX Quick Clamping Production Fixture	3
Rottler UNIPILOT Spindle Adapters and Tool Holders.....	4
UPTM5000 Rottler (Patent Pending) Unipilot Tool holder	4
UPT5200 Rottler (Patent Pending) Unipilot Tool Holder	4
UPT5400 Rottler (Patent Pending) Unipilot Tool holder	4
Rottler R1 Taper Tool Holders	4
UPTRS105 Rottler R1 Spindle Taper Milling Head Driver	4
RS560 Rottler R1 Spindle Taper Milling Head Driver	4
SAD500R1 Spindle Adapter.....	5
SAD375R1 Spindle Adapter	5
PC375R1 Universal Three Jaw Chuck	5
COLLET-KITR1	6
R1MT3 Adapter for Morse #3 to Rottler R1 taper	6
Tip Holders for Valve Seat Angle Cutting.....	7
TH1999 Tip Holder	7
TH2000 Tip Holder	7
TH2001 Tip Holder	7
TH2002 Tip Holder	7
TH2003 Tip Holder	8
TH2004 Tip Holder	8
TH2005 Tip Holder	8
Suggested Basic Tooling.....	9
PRW375 Pilot Removal Wrench	9
PRW600 Pilot Removable Wrench	9
T8D T8 Torx Tip Holding Screw Driver	9
T7D T7 Torx Driver.....	9
ALLEN-KEYS-IN.....	9
ALLEN-KEYS-MM	9
Micrometers Setting Fixtures and Measurement Tools	10
DSP Tool setting Device with Interchangeable Point.....	10

BM Boring Micrometer, Digital Reading Inch and Metric.....	10
6-1SETTINGFIX	11
VSG102-375 Precision Valve Seat Concentricity Gage Base Only	11
VSG102-6MM Precision Valve Seat Concentricity Gage Base Only	12
502-11-39L Mechanical Run Out Indicator	12
502-11-39D Mechanical run out indicator.....	12
Special Fixtures, Clamps and Parallels.....	13
DIESELFIX Diesel Fixture	13
7242T Low Profile Clamp Tower Assembly.....	14
CANTEDFIX Canted Fixture.....	14
7618 Large Cylinder Head Clamping Fixture	15
Triangular Insert Tip Holders.....	16
TH2000-00 00 Degree Triangular Tip Holder	16
TH2001-00 00 Degree Triangular Tip Holder	16
TH2002-00 00 Degree Triangular Tip Holder	16
TH2003-00 00 Degree Triangular Tip Holder	16
TH2004-00 00 Degree Triangular Tip Holder	17
TH2005-00 00 Degree Triangular Tip Holder	17
Triangular Insert Holders	17
TH2002-30 30 Degree Triangular Tip Holder	17
TH2002-45 45 Degree Triangular Tip Holder	17
TH2003-20 20 Degree Triangular Tip Holder	18
TH2003-30 30 Degree Triangular Tip Holder	18
TH2003-45 45 Degree Triangular Tip Holder	18
TH2004-20 20 Degree Triangular Tip Holder	18
TH2004-30 30 Degree Triangular Tip Holder	19
TH2004-45 45 Degree Triangular Tip Holder	19
TH2005-20 20 Degree Triangular Tip Holder	19
TH2005-30 30 Degree Triangular Tip Holder	19
TH2005-45 45 Degree Triangular Tip Holder	20
Triangular Inserts and Torx Driver for the Previous Insert Holders	20
RT211 Triangular Insert.....	20
RT212 Triangular Insert.....	20
T7D T7 Torx Driver.....	20
VALVE SEAT CUTTING INSERTS	21
Cutting Insert Sharpener for Multi Angle Inserts	21

BWS02 Diamond Wheel Cutting Bit Sharpener - Single Wheel	21
Rottler Special Profile Cutter Inserts Policy	22
Available Carbide Pilots by Diameter and Length.....	22
Miscellaneous Tooling	23
CDR312 Combo Core drill / Reamer	23
CDR343 Combo Core drill / Reamer	23
CDR375 Combo Core drill / Reamer	23
VSD100-KIT Valve Seat Driver Kit	24
VGD-KIT Valve Guide Driver Kit	25
VGTC-KIT3 Valve Guide Top Cutter Kit	25
Fixed Double Insert Milling Heads	26
FMH10000R1 1.0000" Fixed Double Replaceable Insert Milling Head.....	26
FMH10625R1 1.0625" Fixed Double Replaceable Insert Milling Head.....	26
FMH11250R1 1.1250" Fixed Double Replaceable Insert Milling Head.....	26
FMH11875R1 1.1875" Fixed Double Replaceable Insert Milling Head.....	26
FMH12460R1 1.2460" Fixed Double Replaceable Insert Milling Head.....	26
FMH12480R1 1.2480" Fixed Double Replaceable Insert Milling Head.....	26
FMH12500R1 1.2500" Fixed Double Replaceable Insert Milling Head.....	27
FMH13125R1 1.3125" Fixed Double Replaceable Insert Milling Head.....	27
FMH13750R1 1.3750" Fixed Double Replaceable Insert Milling Head.....	27
FMH14375R1 1.4375" Fixed Double Replaceable Insert Milling Head.....	27
FMH15000R1 1.5000" Fixed Double Replaceable Insert Milling Head.....	27
FMH15625R1 1.5625" Fixed Double Replaceable Insert Milling Head.....	27
FMH16250R1 1.6250" Fixed Double Replaceable Insert Milling Head.....	28
FMH16870R1 1.6870" Fixed Double Replaceable Insert Milling Head.....	28
FMH16875R1 1.6875" Fixed Double Replaceable Insert Milling Head.....	28
FMH17500R1 1.7500" Fixed Double Replaceable Insert Milling Head.....	28
FMH18125R1 1.8125" Fixed Double Replaceable Insert Milling Head.....	28
FMH18750R1 1.8750" Fixed Double Replaceable Insert Milling Head.....	28
FMH19370R1 1.9370" Fixed Double Replaceable Insert Milling Head.....	29
FMH19375R1 1.9375" Fixed Double Replaceable Insert Milling Head.....	29
FMH20000R1 2.0000" Fixed Double Replaceable Insert Milling Head.....	29
FMH20625R1 2.0625 Fixed Double Replaceable Insert Milling Head.....	29
FMH21250R1 2.125" Fixed Double Replaceable Insert Milling Head.....	29
FMH22500R1 2.250" Fixed Double Replaceable Insert Milling Head.....	29
Consumable Parts for Seat and Guide Models.....	30
SLEEVE1 Spindle Adapter Replacement Sleeve	30
BSW002 Diamond Wheel	30
VT-FP1562 Replacement Foam Pad.....	30



VT-FP1875 Replacement Foam Pad.....30

VT-FP2125 Replacement Foam Pad.....30

VT-FP3125 Replacement Foam Pad.....30

VT-FP25X22 Replacement Foam Pad30

VT-FP31X20 Replacement Foam Pad30

VT-FP33X27 Replacement Foam Pad30

PRW600PIN Replaceable Pin.....31

PRW375PIN Replaceable Pin.....31

PRW20PIN Replaceable Pin.....31

511-29-12E Torx Screw.....31

T7D T7 Torx Driver.....31

T8S T8 Torx Tip Holding Screws31

T15S T15 Torx Tip Holding Screws31

S1032-250 BH375R1 and BH600R1 Tip Holder Locking Screw.....31

S250-28-250 BH375WR1 Tip Holder Locking Screw31

S1032-437 TH1999 Adjusting Screw31

S1032-375 TH2000 Adjusting Screw31

S1032-500 TH2001 Adjusting Screw31

S1032-625 TH2002 Adjusting Screw31

S500-1600 TH2003 Adjusting Screw31

S600-2015 TH2004 Adjusting Screw31

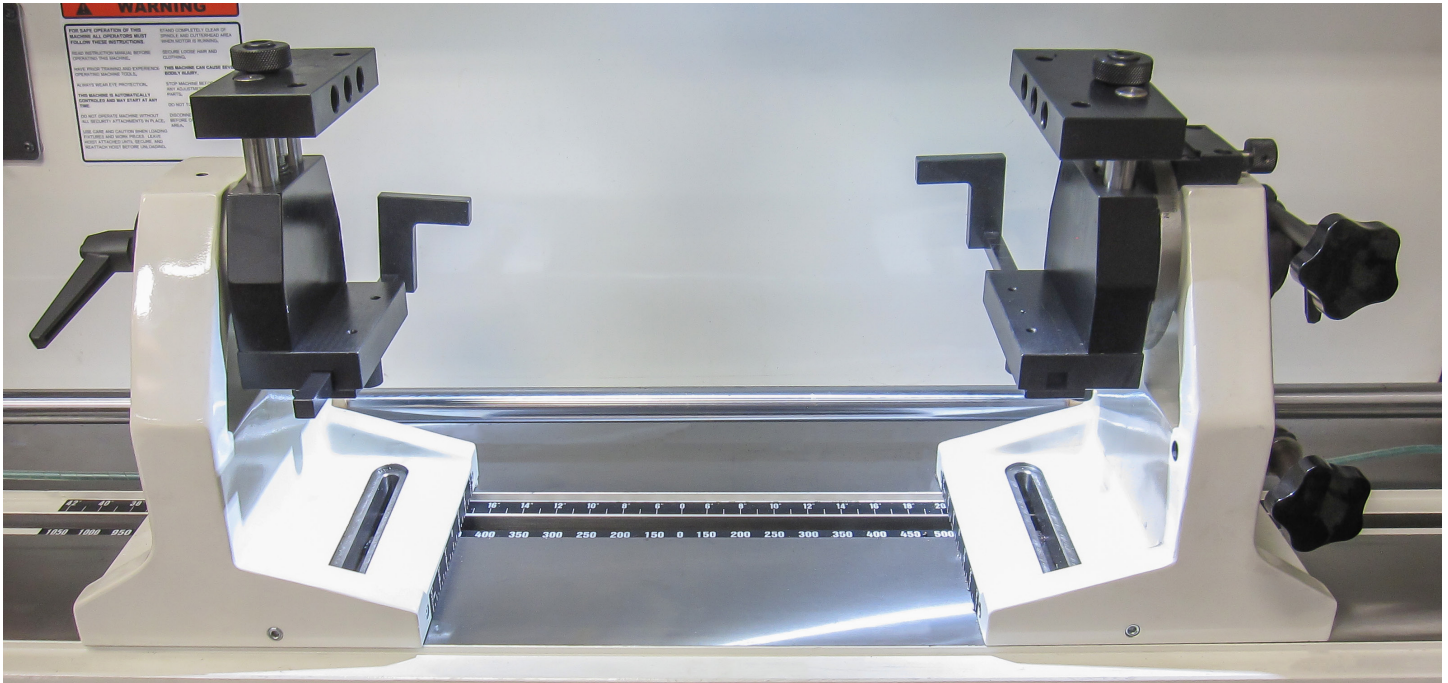
ICC003 Insert, Indexable Carbide.....31

ICC002 Insert, Indexable Carbide.....31

Optional Fixtures

MAN-FIX-SG9MTS Universal Manual Bolt Down 360° Roll Over Cylinder Head Fixture

Fixture air floats on table during set up.



TILT-FIX Universal Quick Clamp Tilt Fixture

With Fine Leveling Adjustment.

A large rectangular box with a thick black border containing the text "Image Currently Unavailable".

Image Currently Unavailable

TILT-FIX-AUTO Automatic Universal Quick Clamp Tilt Fixture

With Fine Leveling Adjustment .

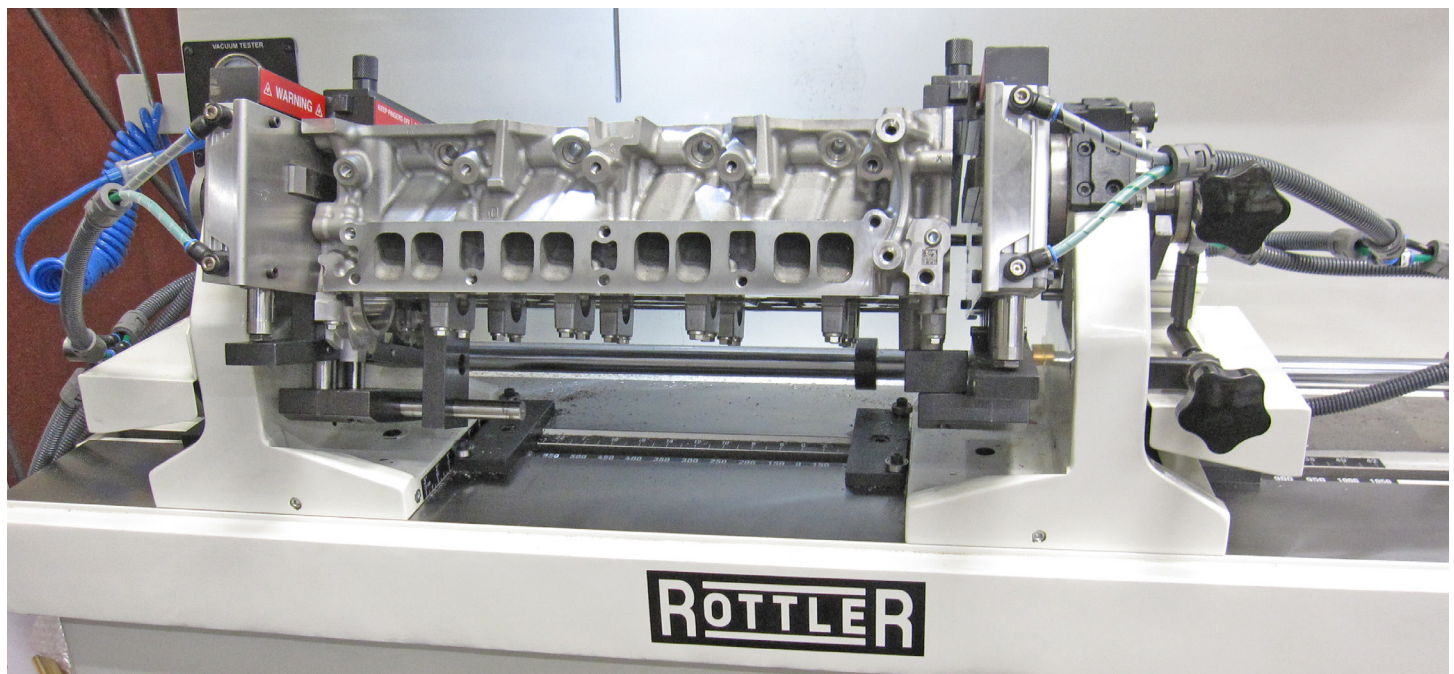
A large rectangular box with a thick black border containing the text "Image Currently Unavailable".

Image Currently Unavailable

PER-FIX Quick Clamping Production Fixture

Allows the cylinder head to be clamped upwards with air pressure allowing all valve seats to be machined to equal depth - the cylinder head is simply placed into the fixture and the clamping is automatic.

Special design adapter kits are available for the PER-FIX for specific cylinder heads to improve productivity when many of same design cylinder head are done in batches. Price on application. Sample cylinder heads and drawings may be required. Please see the SG OPTIONS catalog for available adapter kits.



Rottler UNIPILOT Spindle Adapters and Tool Holders

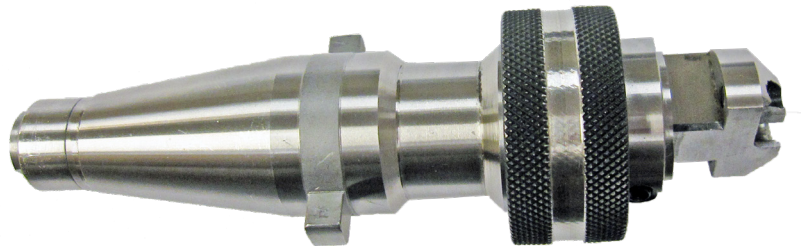
UPTM5000 Rottler (Patent Pending) Unipilot Tool holder

Range .551" - .984" (14mm - 25mm) with TH1999
for .236" (6.00mm) Mini Pilot Shank for SG9 and
SG10 models only



UPT5200 Rottler (Patent Pending) Unipilot Tool Holder

Range 0.787 - 2.360" (20.00 - 60.00mm)



UPT5400 Rottler (Patent Pending) Unipilot Tool holder

Range 2.280 - 3.150" (58 - 80mm)



Rottler R1 Taper Tool Holders

UPTRS105 Rottler R1 Spindle Taper Milling Head Driver

For fixed and adjustable valve seat installation
counterbore cutters for .625" ID cutter bodies.



RS560 Rottler R1 Spindle Taper Milling Head Driver

For fixed and adjustable replaceable milling head
cutters for (14.27mm) .562" ID diameter milling
heads.



SAD500R1 Spindle Adapter

For Rottler R1 Spindle Taper for 1/2" (12.70mm) Shank Diameter Tools, reamers, drills, etc includes two locking set screws



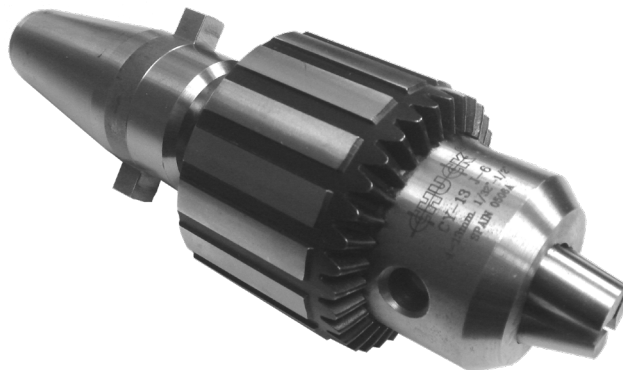
SAD375R1 Spindle Adapter

For Rottler R1 Spindle Taper for 3/8" (9.525mm) Shank Diameter Tools, reamers, drills, etc includes two locking set screws



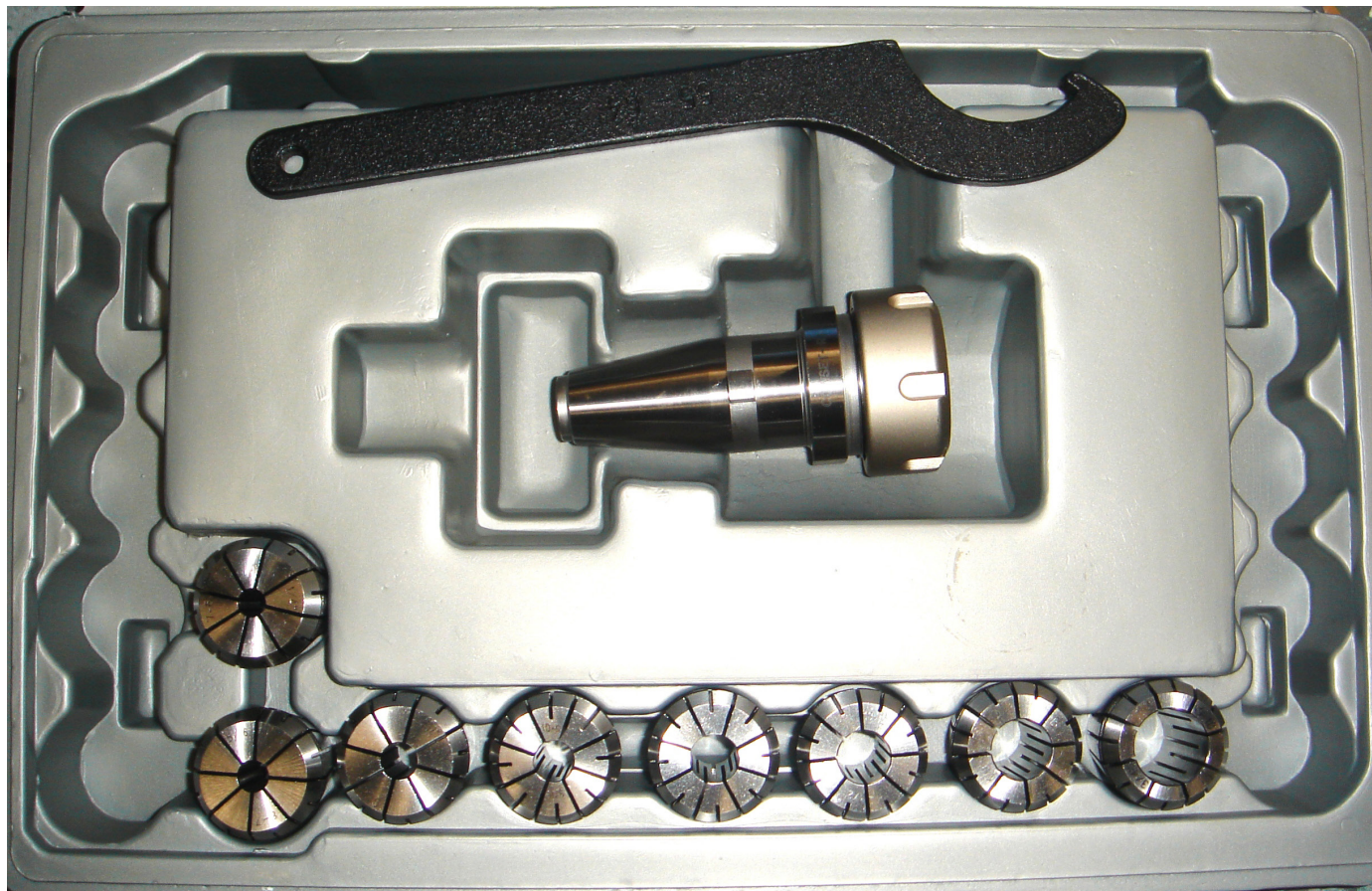
PC375R1 Universal Three Jaw Chuck

Including Spindle Adapter for Rottler R1 Spindle Taper



COLLET-KITR1

Collet chuck set of (8) collets Includes: 3/16, 7/32, 1/4, 5/16, 11/32, 3/8, 7/16, 1/2" (4.775, 5.556, 6.35, 7.938, 8.731, 9.525, 11.113, 12.7mm) Spring Collets, Collet Chuck Spindle Adapter with Collet Nut for Rottler R1 Spindle Taper and Spanner Wrench for Collet Chuck



R1MT3 Adapter for Morse #3 to Rottler R1 taper



Tip Holders for Valve Seat Angle Cutting

TH1999 Tip Holder

Range using the BH600-R1: .570 - 1.250" (14.48 - 33.52mm) (Using RCA630 Cutting Insert for minimum range) Range with BH375R1: .800 - 1.320" (20.32 - 33.52mm Using RCA630 Cutting Insert for minimum range)



TH2000 Tip Holder

Range using the BH600-R1: .597 - 1.180" (15.16 - 30mm) (Using RCA630 Cutting Insert for minimum range) Range with BH375R1: .800 - 1.395" (20.32 - 35.43mm Using RCA630 Cutting Insert for minimum range)



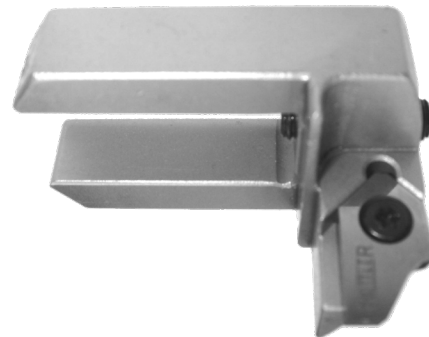
TH2001 Tip Holder

Range using the BH600-R1: .850 - 1.625" (21.6 - 41.3mm) (Using RCA630 Cutting Insert for minimum range) Range with BH375R1: 1.00 - 1.800" (25.4 - 35.4mm Using RCA630 Cutting Insert for minimum range)



TH2002 Tip Holder

Range using the BH600-R1: 1.200 - 2.360" (30.48 - 60.0mm) (Using RCA630 Cutting Insert for minimum range) Range with BH375R1: 1.270 - 2.360" (32.26 - 59.94mm Using RCA630 Cutting Insert for minimum range)



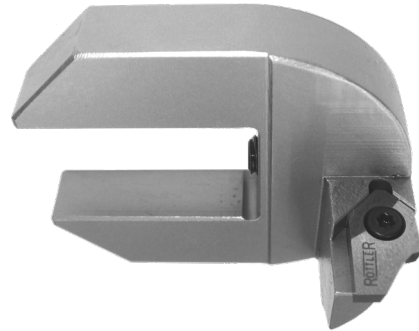
TH2003 Tip Holder

Range: 1.270 - 2.360" (32.26 - 60mm) (Using RCA630 Cutting Insert for minimum range) for BH375WR1 Tool holder Only.



TH2004 Tip Holder

Range: 1.850 - 3.150" (47 - 80mm) (Using RCA630 Cutting Insert for minimum range) for BH375WR1 Tool holder Only.



TH2005 Tip Holder

Range: 2.625 - 4.724" (66.7 - 120mm) (Using RCA630 Cutting Insert for minimum range) for BH375WR1 Tool holder Only.

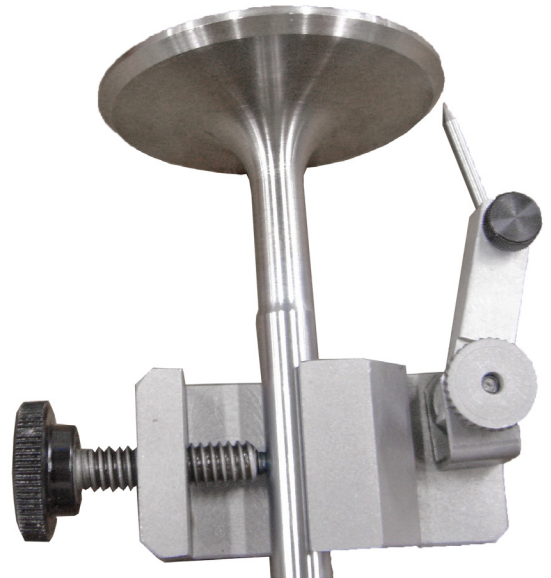
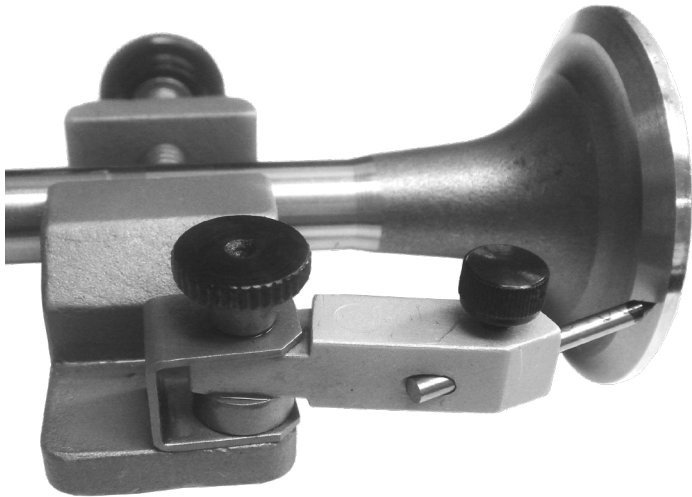


Suggested Basic Tooling

<p>PRW375 Pilot Removal Wrench For .375" (9.252mm) pilot shank</p> 	<p>PRW600 Pilot Removable Wrench For 6.00mm shank pilot</p> 
<p>T8D T8 Torx Tip Holding Screw Driver</p> 	<p>T7D T7 Torx Driver For RT211 & RT212 (1/4" I.C.) insert</p> 
<p>ALLEN-KEYS-IN Inch Ball end hex Allen Key Set Drivers From: 1/16 - 3/8"</p> 	<p>ALLEN-KEYS-MM Metric Ball end hex Allen Key Set</p> 

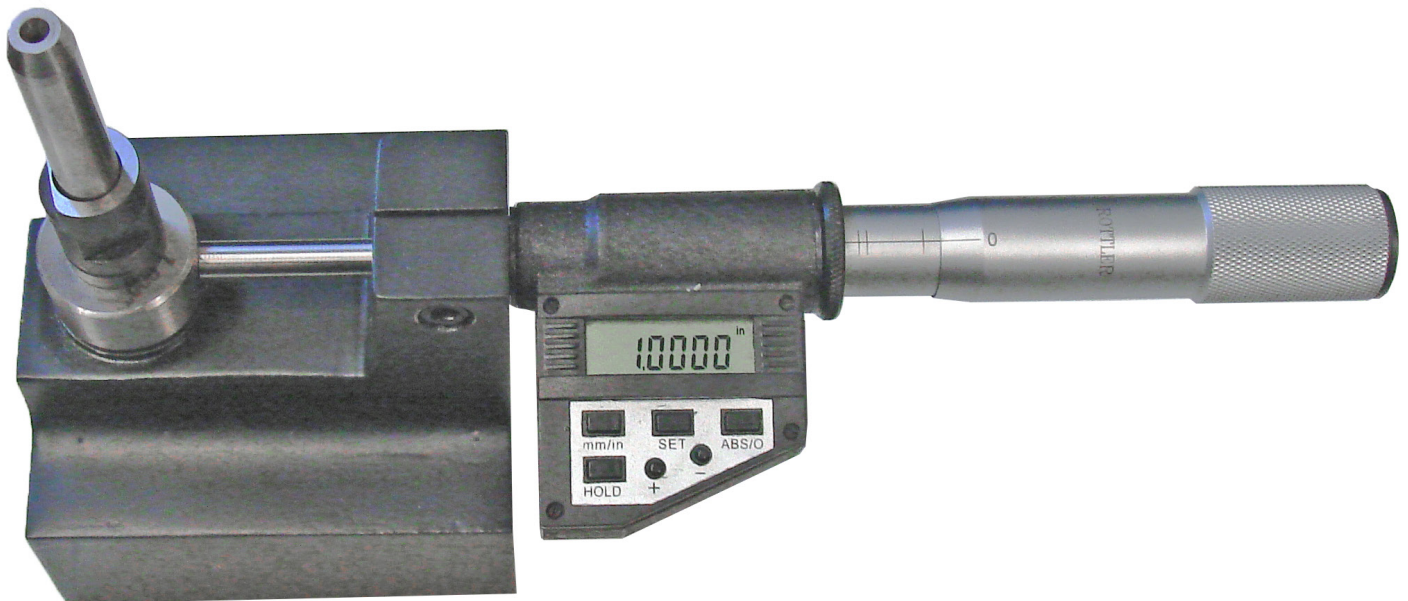
Micrometers Setting Fixtures and Measurement Tools

DSP Tool setting Device with Interchangeable Point



BM Boring Micrometer, Digital Reading Inch and Metric

(.800 - 2.80") with setting standard for .375" (9.52mm) and 6.00mm (152.40mm) shank diameter



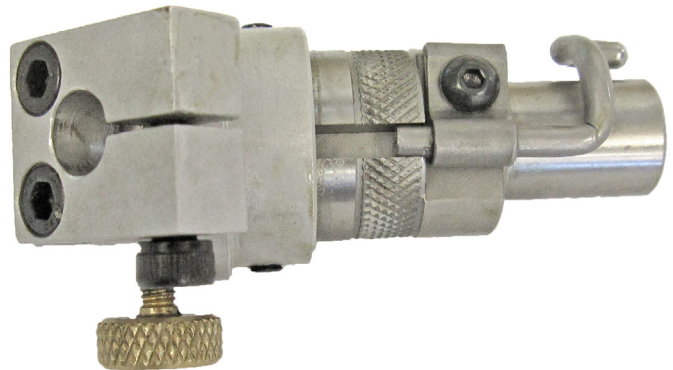
6-1SETTINGFIX

Six in one measuring Fixture (Pilot OD, Valve Stem OD, Set diameter on profile inserts, Setting 90 degree counterboring inserts, Set adjustable milling head cutters, Check alignment on valve stem and check roundness on valve stems.



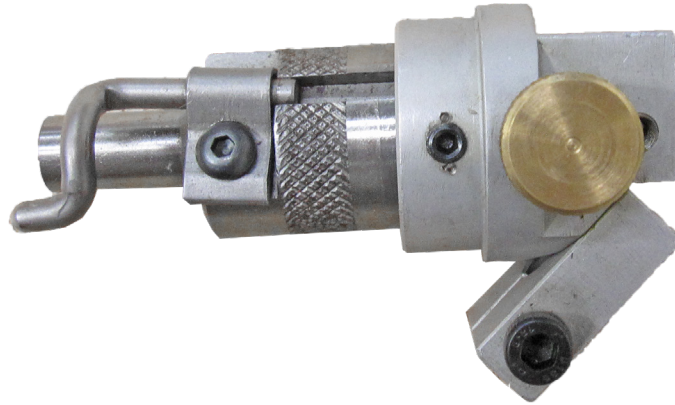
VSG102-375 Precision Valve Seat Concentricity Gage Base Only

For .375" Pilot Shank (Must Order dial indicator .0001" or
.002mm Metric indicator)



VSG102-6MM Precision Valve Seat Concentricity Gage Base Only

For 6.00mm Pilot Shank, Base Only (Must Order dial indicator .0001" or .002mm Metric indicator)



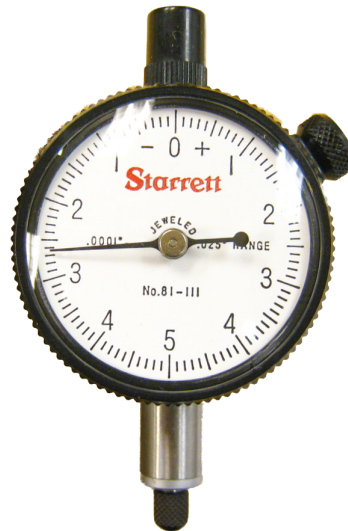
502-11-39L Mechanical Run Out Indicator

For precision bore adjustment (.002mm resolution)
METRIC



502-11-39D Mechanical run out indicator

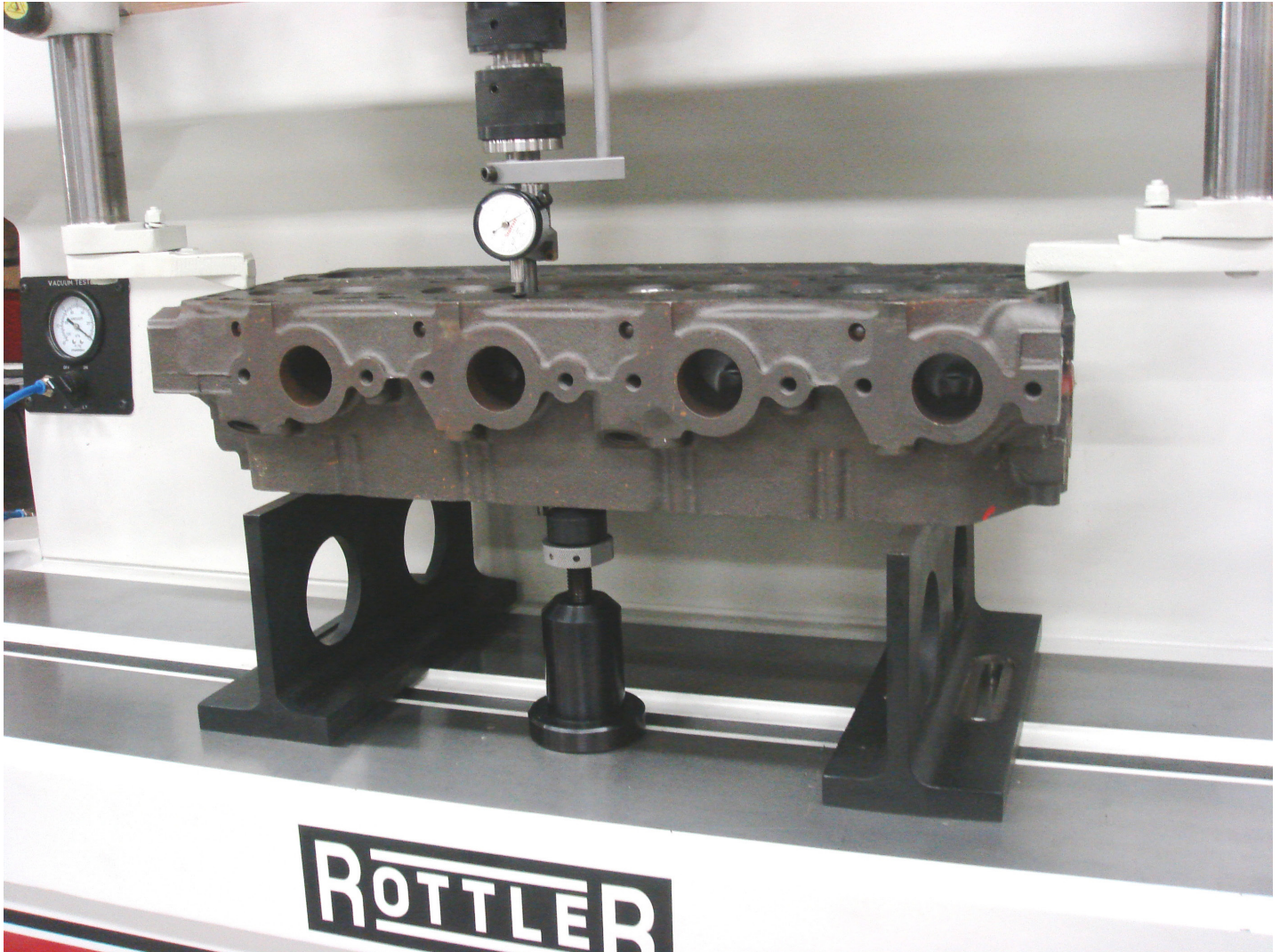
For Precision bore adjustment (.0001" resolution) INCH



Special Fixtures, Clamps and Parallels

DIESELFIX Diesel Fixture

For large in line cylinder heads, includes one pair Parallels 12 X 6" (304.80 X 152.40mm) (1) Jack screw to support sagging in the middle when working on large heads. Requires one pair of two Low Profile Clamp Tower 7242T

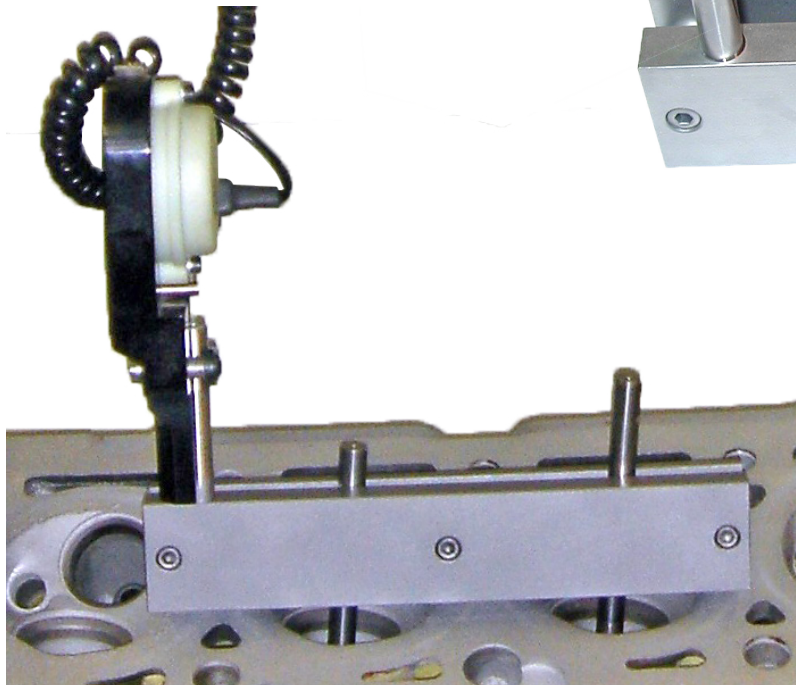


7242T Low Profile Clamp Tower Assembly

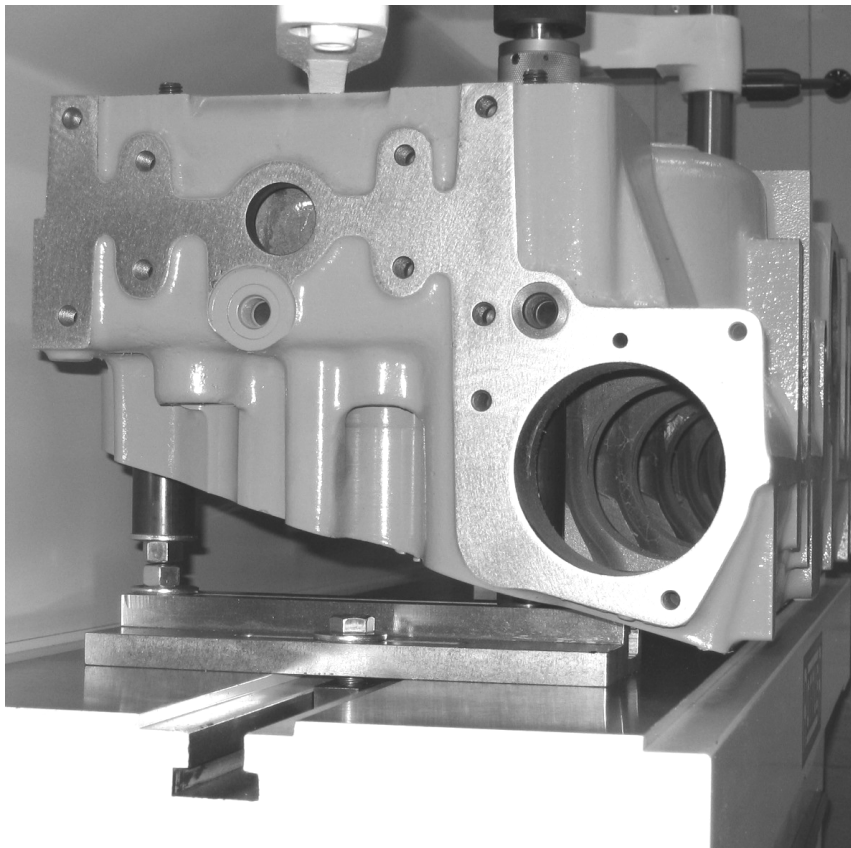


CANTEDFIX Canted Fixture

For leveling canted cylinder heads on Any fixed pilot Seat and Guide Machine



7618 Large Cylinder Head Clamping Fixture
(CAT 3406E or large canted diesel cylinder head)



Triangular Insert Tip Holders

For Valve Seat Installation Counterboring for RT211 (1/4" I.C.) Rottler Triangular Insert Only

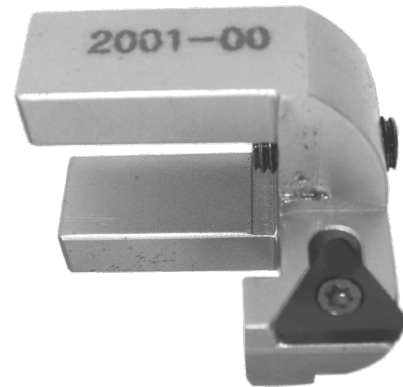
TH2000-00 00 Degree Triangular Tip Holder

For Valve Seat Installation Counterboring. Uses RT211, 1/4" IC Triangular Insert. Requires BH375R1 Self Aligning Tool holder. Range with BH600R1: 1.055 - 1.400" (26.797 - 26.8mm). Range with BH375R1: 1.27 - 1.58" (32.258 - 40.132mm)



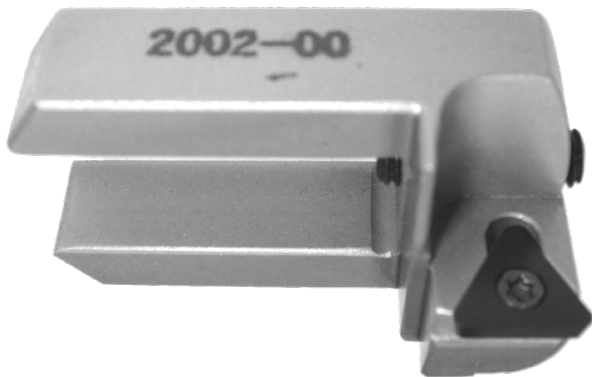
TH2001-00 00 Degree Triangular Tip Holder

For Valve Seat Installation Counterboring. Uses RT211 (1/4" I.C.) Triangular Insert. Requires BH375R1 Self Aligning Tool holder. Range: 1.100 - 1.570" (28 - 42mm)



TH2002-00 00 Degree Triangular Tip Holder

For Valve Seat Installation Counterboring. Uses RT211 (1/4" I.C.) Triangular Insert. Requires BH375R1 Self Aligning Tool holder. Range: 1.570 - 2.360" (40 - 60mm)



TH2003-00 00 Degree Triangular Tip Holder

For Valve Seat Installation Counterboring. Uses RT211 (1/4" I.C.) Triangular Insert. Requires BH375WR1 Self Aligning Tool holder. Range: 1.570 - 2.360" (40 - 60mm)

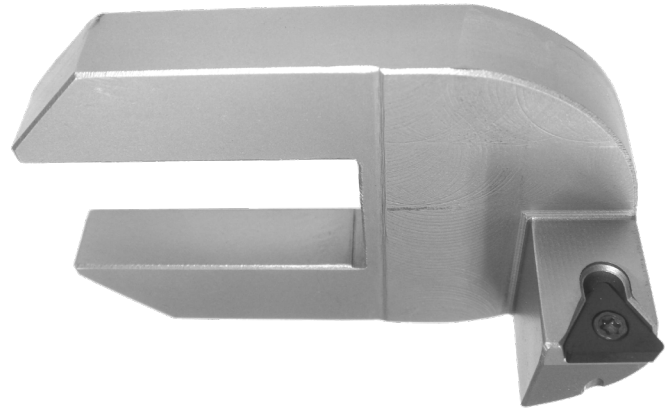


TH2004-00 00 Degree Triangular Tip Holder

For Valve Seat Installation Counterboring. Uses RT211 (1/4" I.C.) Triangular Insert. Requires BH375WR1 Self Aligning Tool holder. Range: 2.280 - 3.150" (58 - 80mm)

**TH2005-00 00 Degree Triangular Tip Holder**

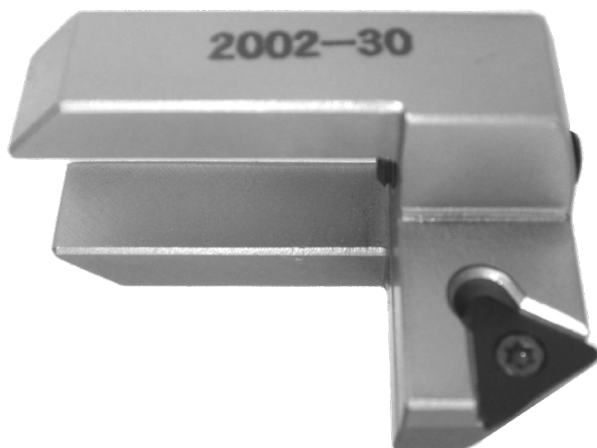
For Valve Seat Installation Counterboring. Uses RT211 (1/4" I.C.) Triangular Insert. Requires BH375WR1 Self Aligning Tool holder. Range: 3.071 - 4.724" (78 - 120mm)

**Triangular Insert Holders**

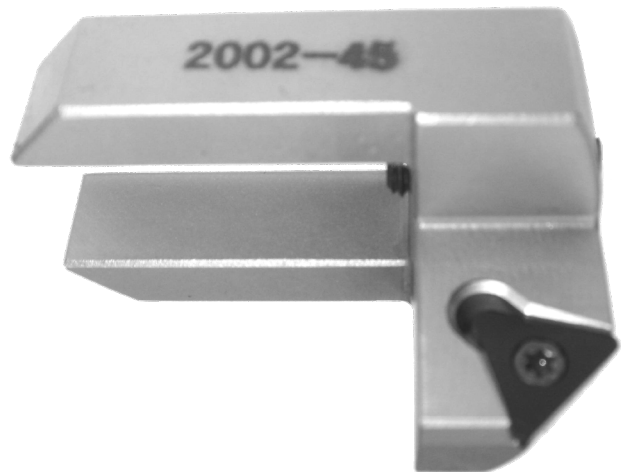
For Single Angle Valve Seat Cutting for RT211 (1/4" I.C.) Rottler Triangular Insert Only

TH2002-30 30 Degree Triangular Tip Holder

For 30 Degree Valve Seat Angle Cutting. Uses RT211 (1/4" I.C.) Triangular Insert. Requires BH375R1 Self Aligning Tool holder. Range: 1.570 - 2.360" (40 - 60mm)

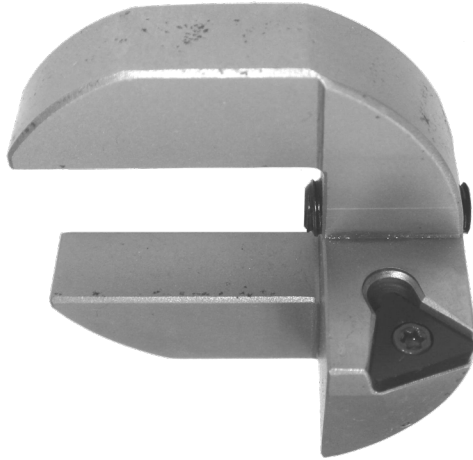
**TH2002-45 45 Degree Triangular Tip Holder**

For 45 Degree Valve Seat Angle Cutting. Uses RT211 (1/4" I.C.) Triangular Insert. Requires BH375R1 Self Aligning Tool holder. Range: 1.570 - 2.360" (40 - 60mm)

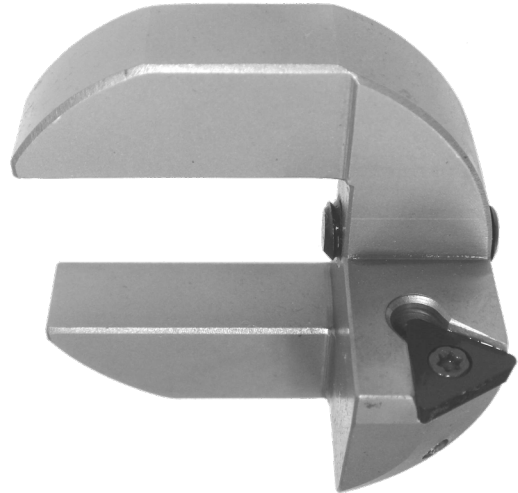


TH2003-20 20 Degree Triangular Tip Holder

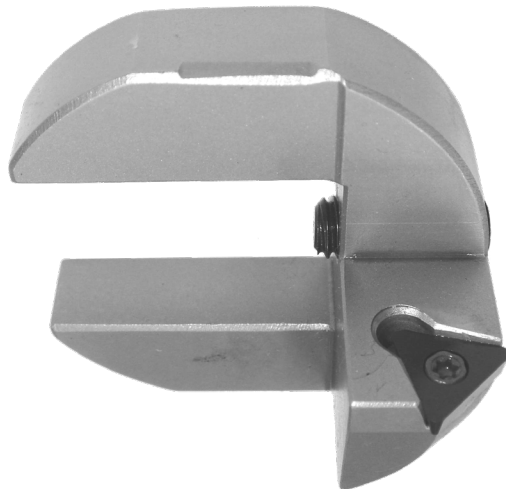
For Valve Seat Angle Cutting. Uses RT211 (1/4" I.C.)
Triangular Insert. Requires BH375WR1 Self Aligning Tool
holder. Range: 1.570 - 2.360" (40 - 60mm)

**TH2003-30 30 Degree Triangular Tip Holder**

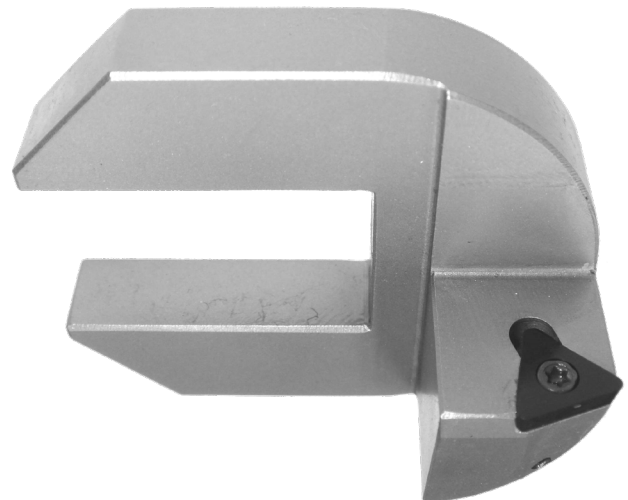
For Valve Seat Angle Cutting. Uses RT211 (1/4" I.C.)
Triangular Insert. Requires BH375WR1 Self Aligning Tool
holder. Range: 1.570 - 2.360" (40 - 60mm)

**TH2003-45 45 Degree Triangular Tip Holder**

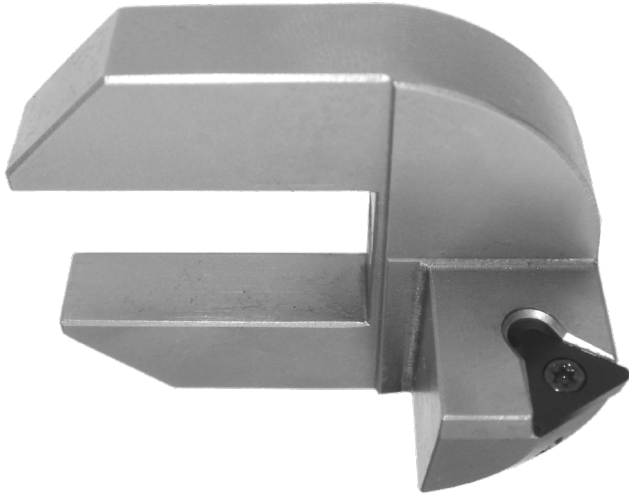
For Valve Seat Angle Cutting. Uses RT211 (1/4" I.C.)
Triangular Insert. Requires BH375WR1 Self Aligning Tool
holder. Range: 1.570 - 2.360" (40 - 60mm)

**TH2004-20 20 Degree Triangular Tip Holder**

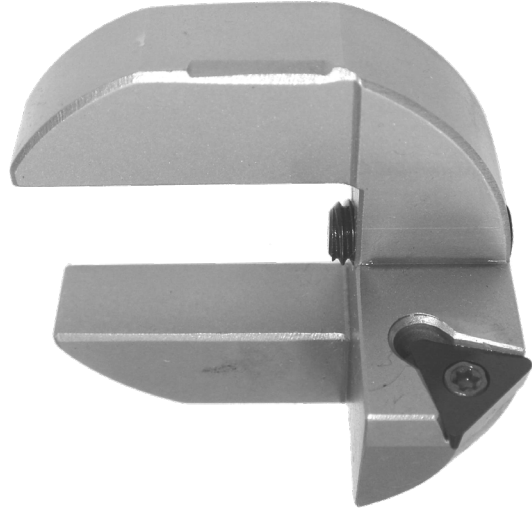
For Valve Seat Angle Cutting. Uses RT211 (1/4" I.C.)
Triangular Insert. Requires BH375WR1 Self Aligning Tool
holder. Range: 2.280 - 3.150" (58 - 80mm)



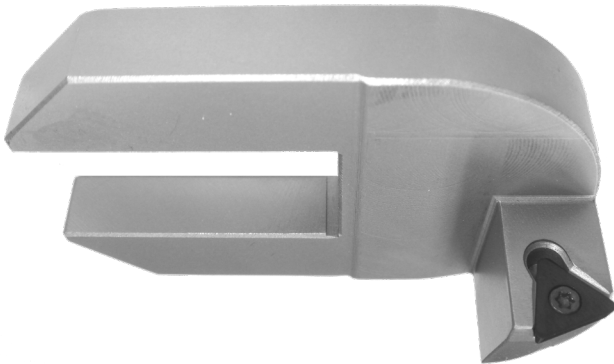
TH2004-30 30 Degree Triangular Tip Holder
 For Valve Seat Angle Cutting. Uses RT211 (1/4" I.C.)
 Triangular Insert. Requires BH375WR1 Self Aligning Tool
 holder. Range: 2.280 - 3.150" (58 - 80mm)



TH2004-45 45 Degree Triangular Tip Holder
 For Valve Seat Angle Cutting. Uses RT211 (1/4" I.C.)
 Triangular Insert. Requires BH375WR1 Self Aligning Tool
 holder. Range: 2.280 - 3.150" (58 - 80mm)



TH2005-20 20 Degree Triangular Tip Holder
 For Valve Seat Angle Cutting. Uses RT211 (1/4" I.C.)
 Triangular Insert. Requires BH375WR1 Self Aligning Tool
 holder. Range: 3.071 - 4.724" (78 - 120mm)



TH2005-30 30 Degree Triangular Tip Holder
 For Valve Seat Angle Cutting. Uses RT211 (1/4" I.C.)
 Triangular Insert. Requires BH375WR1 Self Aligning Tool
 holder. Range: 3.071 - 4.724" (78 - 120mm)



TH2005-45 45 Degree Triangular Tip Holder
 For Valve Seat Angle Cutting. Uses RT211 (1/4" I.C.)
 Triangular Insert. Requires BH375WR1 Self Aligning Tool
 holder. Range: 3.071 - 4.724" (78 - 120mm)



Triangular Inserts and Torx Driver for the Previous Insert Holders

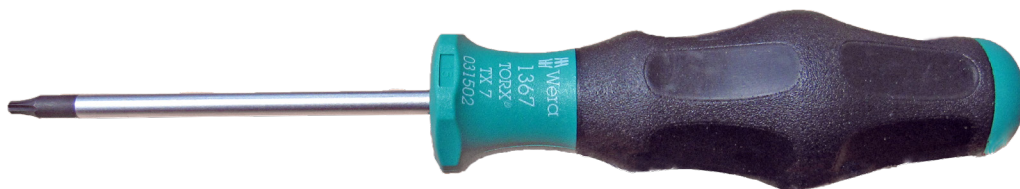
RT211 Triangular Insert
 1/4" (6.35mm) I.C., 1/64" radius FOR COUNTERBORING
 and SINGLE ANGLE INSERT HOLDERS



RT212 Triangular Insert
 1/4" (6.35mm) I.C., 1/32" radius FOR COUNTERBORING
 and SINGLE ANGLE INSERT HOLDERS



T7D T7 Torx Driver
 For RT-211 & RT-212 (1/4" I.C.) insert



VALVE SEAT CUTTING INSERTS

NOTE: For Recommended Inserts, see Inserts and Profile Catalog

Select the correct Insert profile to match the original factory valve seat shape. The relief angle and the seating surface width and angle must match.

All specifications can be obtained from the original manufacturer's manual.

Select the proper Insert base on the application RCA insert profiles are design for regular three angle seat profiles, make sure the that top angle will not go over the seat insert,

RCB inserts Profiles are design for a multiple angles and radius and is recommended for High performance profiles.

RCC Inserts are made from larger/thicker carbide and use a T15 Torx Screw. RCC inserts are designed for large diameter valve seats.

Cutting Insert Sharpener for Multi Angle Inserts

BWS02 Diamond Wheel Cutting Bit Sharpener - Single Wheel



Rottler Special Profile Cutter Inserts Policy

Special Profile Cutter Inserts can be manufactured to your exact specifications and can include a combination of angles and radius blends. Special Profile Carbide Cutter Bits are generally considered to be "Customer Proprietary". These are uniquely numbered, exclusively for the ordering customer.

Contact Rottler Manufacturing for further information.

Available Carbide Pilots by Diameter and Length

Common .375"(9.52mm) Shank, Standard 7.5" length

UCP-5TO10-STD	UNITPILOT Carbide Pilots UCP .375" (9.52mm) Shank Diameter / Total Length 7.500" Range from .196 - .394" (5.00 - 10.00mm)
UCP-1001TO12-STD	UNITPILOT Carbide Pilots UCP .375" (9.52mm) Shank Diameter / Total Length 7.500" Range from .390 - .470" (10.01 - 12.00mm)
UCP-1201TO14-STD	UNITPILOT Carbide Pilots UCP .375" (9.52mm) Shank Diameter / Total Length 7.500" Range from .470 - .550" (12.01 - 14.00mm)
UCP-1401TO15-STD	UNITPILOT Carbide Pilots UCP .375" (9.52mm) Shank Diameter / Total Length 7.500" Range from .470 - .550" (14.01-15.00mm)

Extended Length 9.00"

UCP-5TO10-EL9	UNITPILOT Carbide Pilots UCP .375" (9.52mm) Shank Diameter / Total Length 9.00" Range from .196 - .394" (5.00 - 10.00mm)
UCP-10TO12-EL9	UNITPILOT Carbide Pilots UCP .375" (9.52mm) Shank Diameter / Total Length 9.00" Range from .390-.470" (10.01 - 12.00mm)
UCP-12TO14-EL9	UNITPILOT Carbide Pilots UCP .375" (9.52mm) Shank Diameter / Total Length 9.00" Range from .470-.550" (12.01 - 14.00mm)

Extended Length 10.00"

UCP-XXXX-10EL	UNITPILOT Carbide Pilots UCP .375" (9.52mm) Shank Diameter / Total Length 10.00" Range from .196 - .394" (5.00 - 10.00mm)
---------------	---

Extended Length 12.00"

UCP-12TO14-EL12	UNITPILOT Carbide Pilots UCP .375" (9.52mm) Shank Diameter / Total Length 12.00" Range from .470 - .550" (12.01 - 14.00mm)
-----------------	--

Extended Length Large Shank 20.00mm(.787")

UCP-XXXX-1220	.560" UNIPILOT Carbide Pilot (20.00mm) Shank diameter (12.00" Length)
UCP-XXXX-1320	.560" UNIPILOT Carbide Pilot (20.00mm) Shank diameter (13.00" Length)
UCP-XXXX-1520	.560" UNIPILOT Carbide Pilot (20.00mm) Shank diameter (15.00" Length)

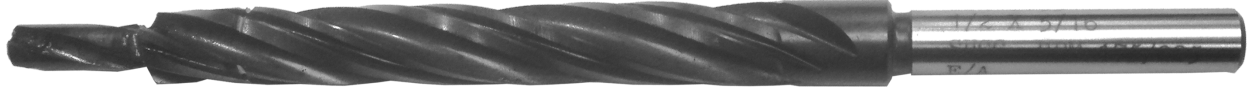
UNIPILOT MINI Carbide Pilots with 6.00mm Shank Diameter for Fixed Pilot Application

UCPM-MINI	UNIPILOT Carbide Pilots with 6.00mm Shank Diameter / 5.700" long range from 3.50mm up to 7.00mm to be used on BH600-R1 Tool Holder and TH1999 Tip Holder for Fixed Pilot Application
-----------	--

Miscellaneous Tooling

CDR312 Combo Core drill / Reamer

.312" Pilot to bore for standard 1/2" OD valve guide insert with .375" diameter Shank, requires SAD375R1 spindle adapter or to be used with collet holder



CDR343 Combo Core drill / Reamer

.343" Pilot to bore for standard 1/2" OD valve guide insert with .375" diameter Shank, requires SAD375R1 spindle adapter or to be used with collet holder



CDR375 Combo Core drill / Reamer

.375" Pilot to bore for standard 1/2" OD valve guide insert with .375" diameter Shank, requires SAD375R1 spindle adapter or to be used with collet holder



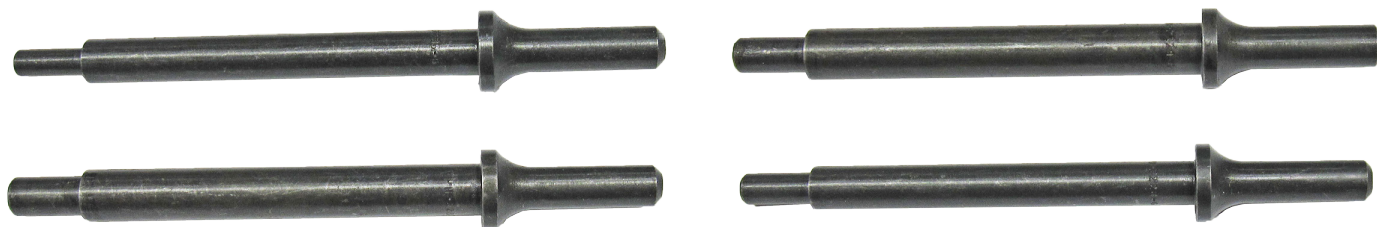
VSD100-KIT Valve Seat Driver Kit

Includes Seat Driver Body (VSD101) 5 Dual seat Ring Adapters (VSD102 1 - 1.1/8", VSD103 1.1/4 - 1.3/8", VSD104 1.1/2 - 1.5/8", VSD105 1.3/4 - 1.7/8", VSD106 2 - 2.1/8"), 5 Solid Tapered Pilots STP0250, STP0275, STP0312, STP0343, STP0374



VGD-KIT Valve Guide Driver Kit

Includes .312" Valve Guide Driver, .343" Valve Guide Driver, .372" Valve Guide Driver and 7.0mm Valve Guide Driver (requires air hammer - not available from Rottler)



VGTC-KIT3 Valve Guide Top Cutter Kit

With 1/2" straight Shank. To be used with Collet holder or SAD500R1 Spindle Adapter. Kit includes 5/16", 11/32" & 3/8" pilot for guide top cutter

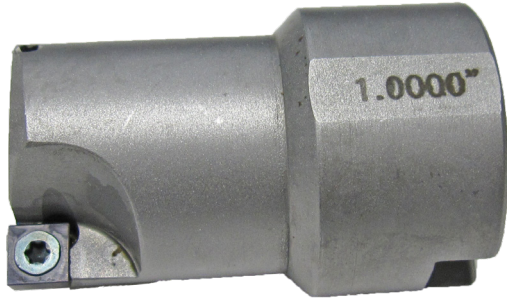


Fixed Double Insert Milling Heads

FMH Fixed Double Replaceable Insert Milling Heads - Bore diameter 1.25 - 2.50" (31.75 - 63.50mm) available in increments of 1/16" (.125") (Requires Milling Head driver) (specify size)

FMH1000R1 1.0000" Fixed Double Replaceable Insert Milling Head

With .562" Driver (Requires BD560 .562" ID Milling head Driver)



FMH10625R1 1.0625" Fixed Double Replaceable Insert Milling Head

With .562" Driver ID (Requires BD560 .562" ID Milling head Driver)



FMH11250R1 1.1250" Fixed Double Replaceable Insert Milling Head

With .562" Driver ID (Requires BD560 .562" ID Milling head Driver)



FMH11875R1 1.1875" Fixed Double Replaceable Insert Milling Head

With .562" Driver ID (Requires BD560 .562" ID Milling head Driver)



FMH12460R1 1.2460" Fixed Double Replaceable Insert Milling Head

With .562" Driver ID (Requires BD560 .562" Id Milling Head Driver)



FMH12480R1 1.2480" Fixed Double Replaceable Insert Milling Head

With .562" Driver ID (Requires BD560 .562" Id Milling Head Driver)



FMH12500R1 1.2500" Fixed Double Replaceable Insert Milling Head

With .562" Driver ID (Requires BD560 Milling Head Driver)

**FMH13125R1 1.3125" Fixed Double Replaceable Insert Milling Head**

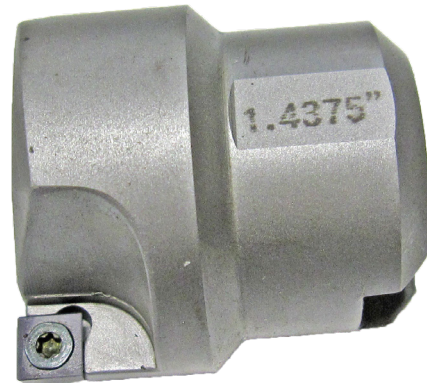
With .562" Driver ID (Requires BD560 .562" ID Milling head Driver)

**FMH13750R1 1.3750" Fixed Double Replaceable Insert Milling Head**

With .562" Driver ID (Requires BD560 .562" ID Milling head Driver)

**FMH14375R1 1.4375" Fixed Double Replaceable Insert Milling Head**

With .562" Driver ID (Requires BD560 .562" ID Milling head Driver)

**FMH15000R1 1.5000" Fixed Double Replaceable Insert Milling Head**

With .562" Driver ID (Requires BD560 .562" ID Milling head Driver)

**FMH15625R1 1.5625" Fixed Double Replaceable Insert Milling Head**

With .562" Driver ID (Requires BD560 .562" ID Milling head Driver)



FMH16250R1 1.6250" Fixed Double Replaceable Insert Milling Head

With .562" Driver ID (Requires BD560 .562" ID Milling head Driver)



FMH16870R1 1.6870" Fixed Double Replaceable Insert Milling Head

With .562" Driver ID (Requires BD560 .562" Id Milling Head Driver)



FMH16875R1 1.6875" Fixed Double Replaceable Insert Milling Head

With .562" Driver ID (Requires BD560 .562" ID Milling head Driver)



FMH17500R1 1.7500" Fixed Double Replaceable Insert Milling Head

With .562" Driver ID (Requires BD560 .562" ID Milling head Driver)



FMH18125R1 1.8125" Fixed Double Replaceable Insert Milling Head

With .562" Driver ID (Requires BD560 .562" ID Milling head Driver)



FMH18750R1 1.8750" Fixed Double Replaceable Insert Milling Head

With .562" Driver ID (Requires BD560 .562" ID Milling head Driver)

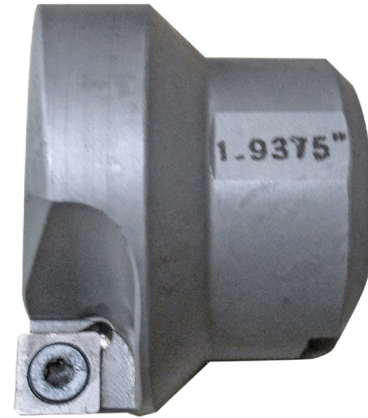


FMH19370R1 1.9370" Fixed Double Replaceable Insert Milling Head

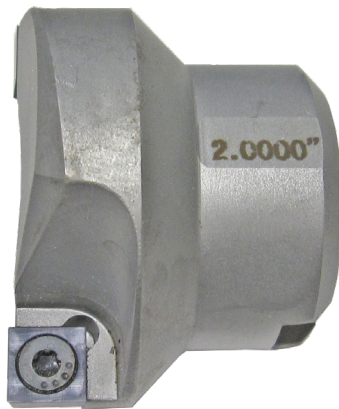
With .562" Driver ID (Requires BD560 .562" Id Milling Head Driver)

**FMH19375R1 1.9375" Fixed Double Replaceable Insert Milling Head**

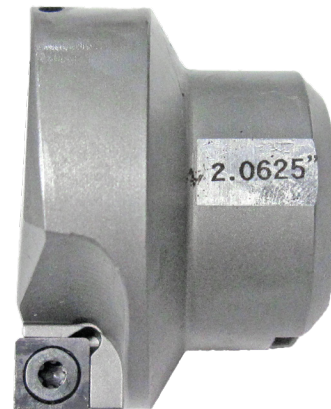
With .562" Driver ID (Requires BD560 .562" Id Milling Head Driver)

**FMH20000R1 2.0000" Fixed Double Replaceable Insert Milling Head**

With .562" Driver ID (Requires BD560 .562" ID. Ball Head Milling head Driver)

**FMH20625R1 2.0625 Fixed Double Replaceable Insert Milling Head**

With .562" Driver ID (Requires BD560 .562" Id Milling Head Driver)

**FMH21250R1 2.125" Fixed Double Replaceable Insert Milling Head**



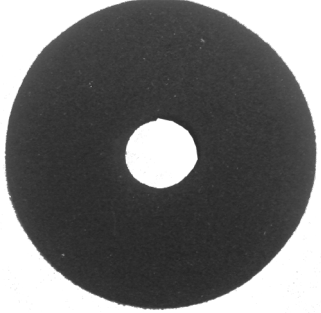
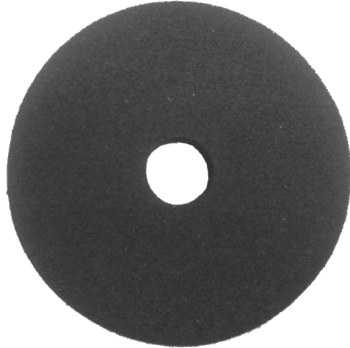
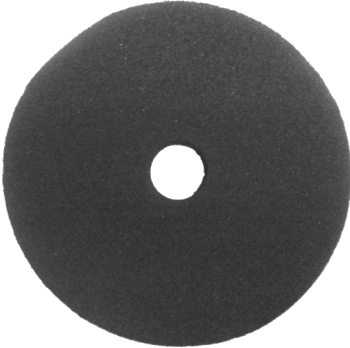
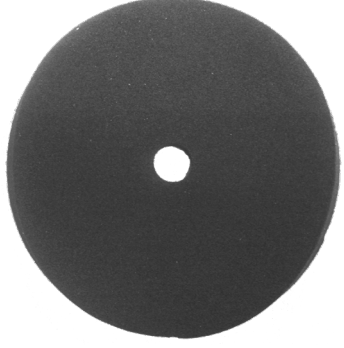
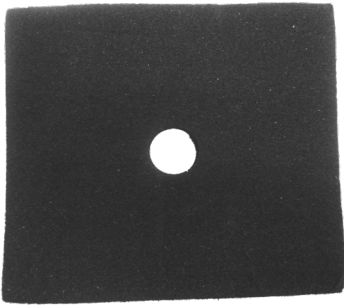
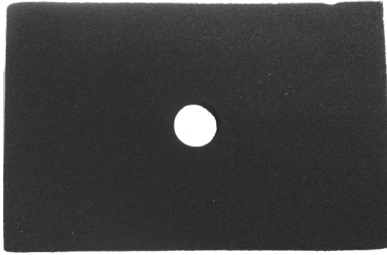
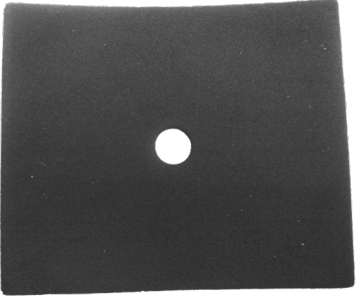
With .562" Driver ID (Requires BD560 .562" Id Milling Head Driver)

**FMH22500R1 2.250" Fixed Double Replaceable Insert Milling Head**

With .562" Driver ID (Requires BD560 .562" Id Milling Head Driver)



Consumable Parts for Seat and Guide Models

<p>SLEEVER1 Spindle Adapter Replacement Sleeve</p> 	<p>BSW002 Diamond Wheel Cutting Bit Sharpener replacement Wheel (3.000" Diameter OD by .375" ID)</p> 	<p>VT-FP1562 Replacement Foam Pad For Round Vacuum Pad 1.562" (39.675mm) diameter</p> 
<p>VT-FP1875 Replacement Foam Pad For Round Vacuum Pad 1.875" (47.625mm) diameter</p> 	<p>VT-FP2125 Replacement Foam Pad For Round Vacuum Pad 2.125" (53.975mm) diameter</p> 	<p>VT-FP3125 Replacement Foam Pad For Round Vacuum Pad 3.125" (79.375mm) diameter</p> 
<p>VT-FP25X22 Replacement Foam Pad For Square Vacuum Pad 2.500 X 2.250" (63.5 X 57.15mm) square</p> 	<p>VT-FP31X20 Replacement Foam Pad For Square Vacuum Pad 3.125 X 2.000" (79.375 X 50.8mm) square</p> 	<p>VT-FP33X27 Replacement Foam Pad For Square Vacuum Pad 3.375 X 2.750" (85.725 X 69.85mm) square</p> 

<p>PRW600PIN Replaceable Pin For PRW600 Pilot Removable wrench tool</p> 	<p>PRW375PIN Replaceable Pin For PRW375 Pilot Removable wrench tool</p> 	<p>PRW20PIN Replaceable Pin For PRW375 Pilot Removable wrench tool</p> 
<p>511-29-12E Torx Screw M2.5 X 0.45 (straight angle insert holders only)</p> 	<p>T7D T7 Torx Driver For 1/4" insert (straight angle insert holders only)</p> 	
<p>T8S T8 Torx Tip Holding Screws</p> 	<p>T15S T15 Torx Tip Holding Screws</p> 	<p>S1032-250 BH375R1 and BH600R1 Tip Holder Locking Screw 10/32" X 1/4" (requires 2)</p> 
<p>S250-28-250 BH375WR1 Tip Holder Locking Screw 1/4"-28" X 1/4" (requires 2)</p> 	<p>S1032-437 TH1999 Adjusting Screw (10/32 X 7/16")</p> 	<p>S1032-375 TH2000 Adjusting Screw (10/32 X 3/8")</p> 
<p>S1032-500 TH2001 Adjusting Screw (10/32 X 1/2")</p> 	<p>S1032-625 TH2002 Adjusting Screw (10/3" X 5/8")</p> 	<p>S500-1600 TH2003 Adjusting Screw (6.00 X 16mm)</p> 
<p>S600-2015 TH2004 Adjusting Screw (6.00 X 20.15mm)</p> 	<p>ICC003 Insert, Indexable Carbide For Fixed milling heads - large size - for 1.562" and larger cutters</p> 	<p>ICC002 Insert, Indexable Carbide For Fixed milling heads - small size - for 1.250 - 1.500" cutters</p> 