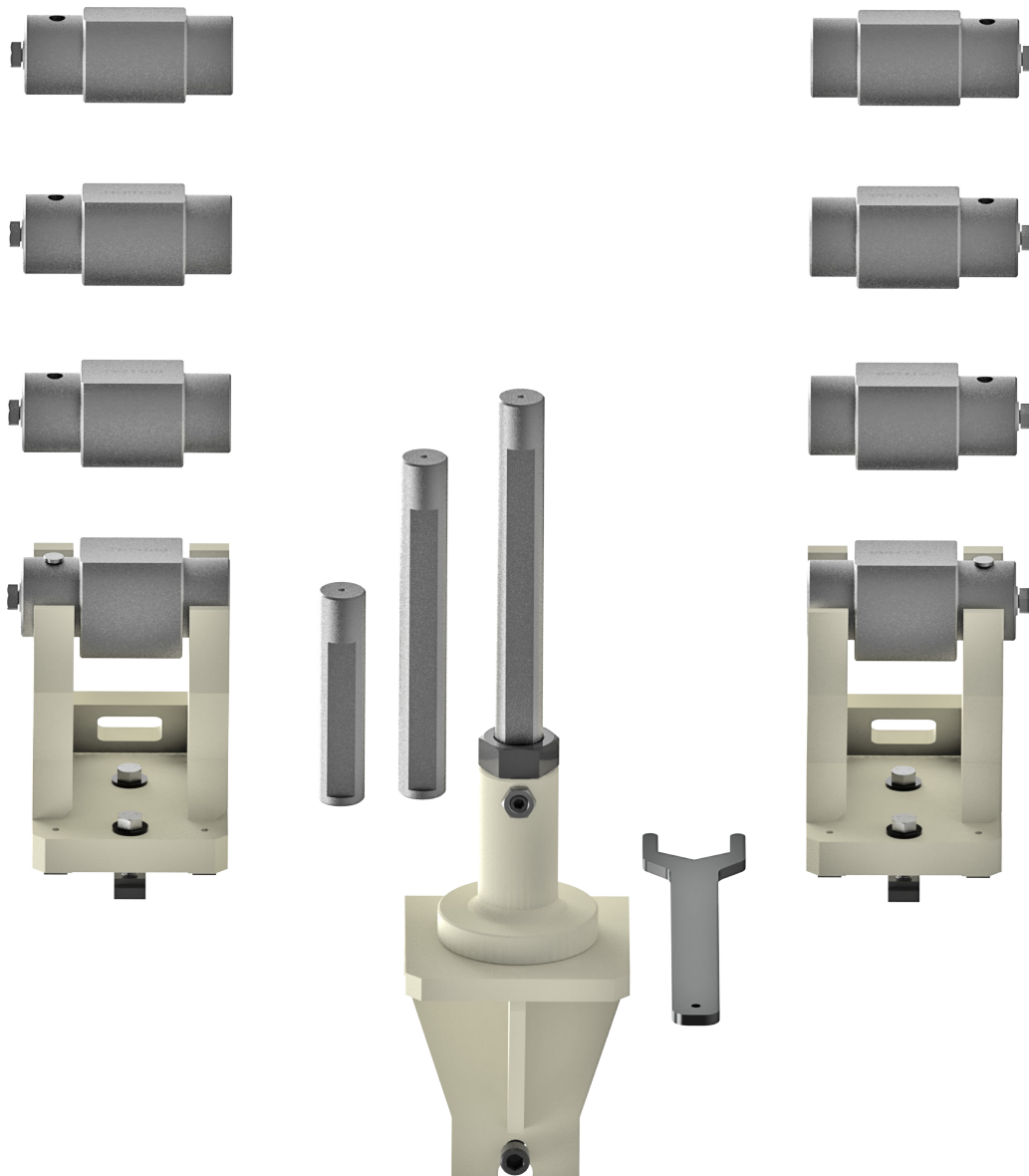




7243 DIESEL MID RANGE BLOCK FIXTURE

OPERATION AND MAINTENANCE MANUAL



ORDERING PROCEDURE

Contact your regional Rottler sales rep for assistance in ordering optional equipment, replacement parts, or tooling.

If you are unable to contact your regional Rottler sales rep, call the factory at 253-872-7050 and ask to speak to the parts sales specialist.

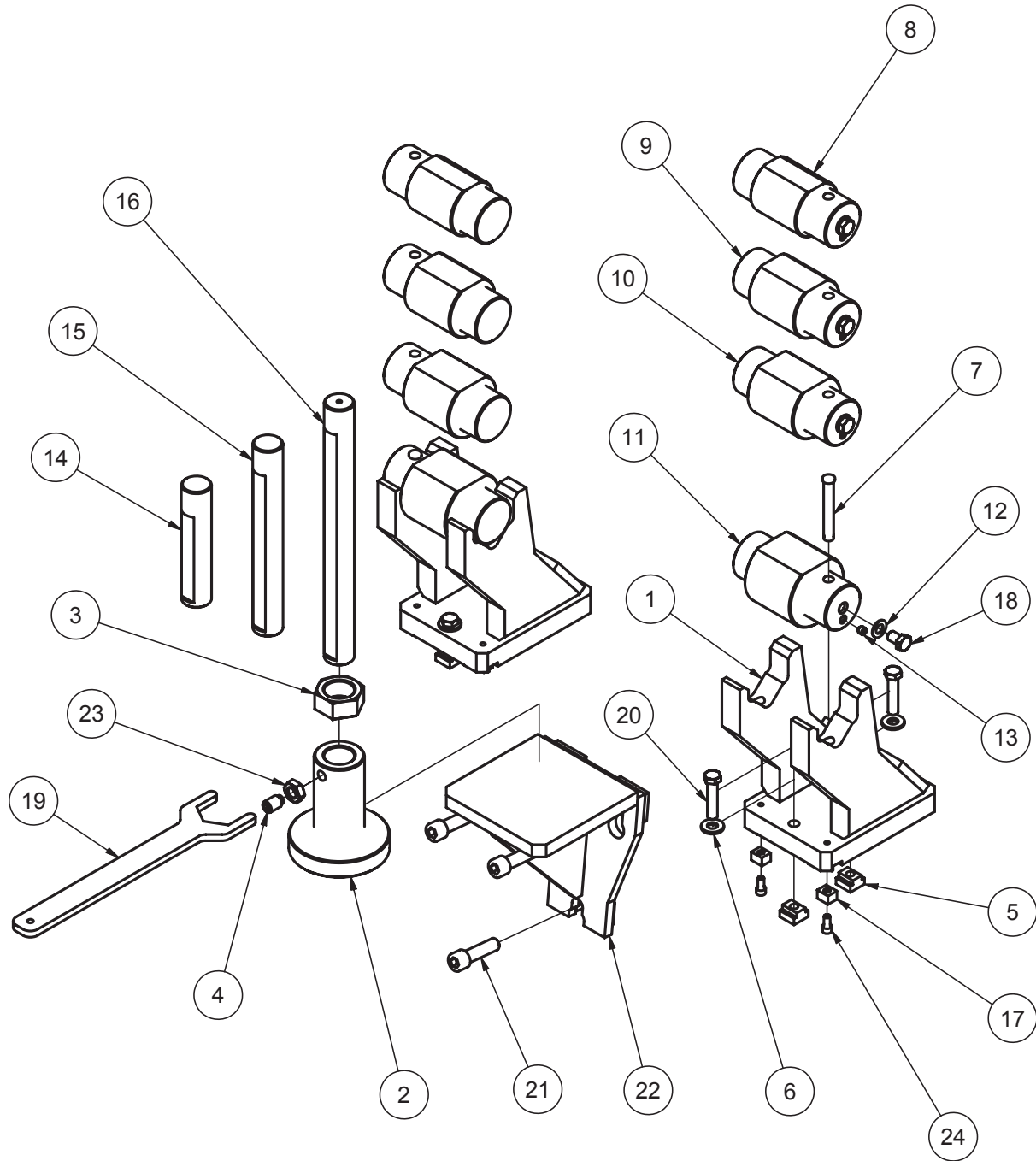
Have the following information handy to expedite the ordering process:

1. Your name, business name, and contact number
2. Customer number
3. If you don't have a customer number, your billing address
4. Shipping address if different from billing address
5. Machine model and serial number
6. Part number and description of what you want to order
7. Preferred method of shipment
8. You may also contact us via e-mail with the above information. Send e-mail requests to:
parts@rottlermfg.com or intlpart@rottlermfg.com

In some cases you may be requested to send a photo of the part you are ordering if it is a replacement part, or doesn't appear in the database.

If you are unsure which part you need to order, contact our service department and ask to speak to one of our service consultants. They will assist you in determining which part you require.

THERE IS A MINIMUM ORDER OF \$25.00



7243
DIESEL FIXTURE ASSEMBLY, INLINE AND MID RANGE
V-FIXTURE

7243 DIESEL FIXTURE ASSEMBLY, INLINE AND MID RANGE V BLOCK			
ITEM	QTY	PART NUMBER	DESCRIPTION
1	2	6553M	SUPPORT, MAIN BEARING FIXTURE - F5
2	1	6395D	JACK BODY
3	1	6566H	Jacking Nut
4	1	6395B	5/8-11 Half Dog 1" long
5	4	650-3-10	TN-5 T-Nut
6	4	100-19A	Hardened washer 17/32 I.D.
7	2	6553H	PIN, LOCATION - DIESEL FIXTURE
8	2	6787B	LOCATOR, MAIN BEARING 3.0" TO 3.225" DIA., DIESEL FIXTURE
9	2	6787C	LOCATOR, MAIN BEARING 3.22 TO 3.50 DIA.
10	2	6787D	Locator, main Bearing 3.50 to 4.00 dia.
11	2	6787E	Locator, main Bearing 4.00 to 5.00 dia.
12	8	100-19	Washer
13	8	6788Q	SCREW, SET - BRASS TIPPED 3/8-16UNC x 5/16"
14	1	6396	JACKING SCREW 7" LG.
15	1	6396A	JACKING SCREW 11-1/4" LG.
16	1	6396B	JACKING SCREW 15-1/2" LG.
17	4	650-3-9	Key
18	8	MF-137E	1/2-13UNC x 3/4" LG. HEX BOLT
19	1	6566K	WRENCH, JACKING NUT - DIESEL FIXTURING
20	4	MF-149A	1/2-13UNC x 2-1/4" LG. HEX BOLT
21	3	502-11-61	5/8-11UNC x 2-1/4" LG. S.H.C.S.
22	1	502-11-51	CENTER SUPPORT
23	1	MF-173	5/8-11UNC JAM NUT
24	4	MF-21	5/16-18UNC x 5/8" LG. S.H.C.S.