



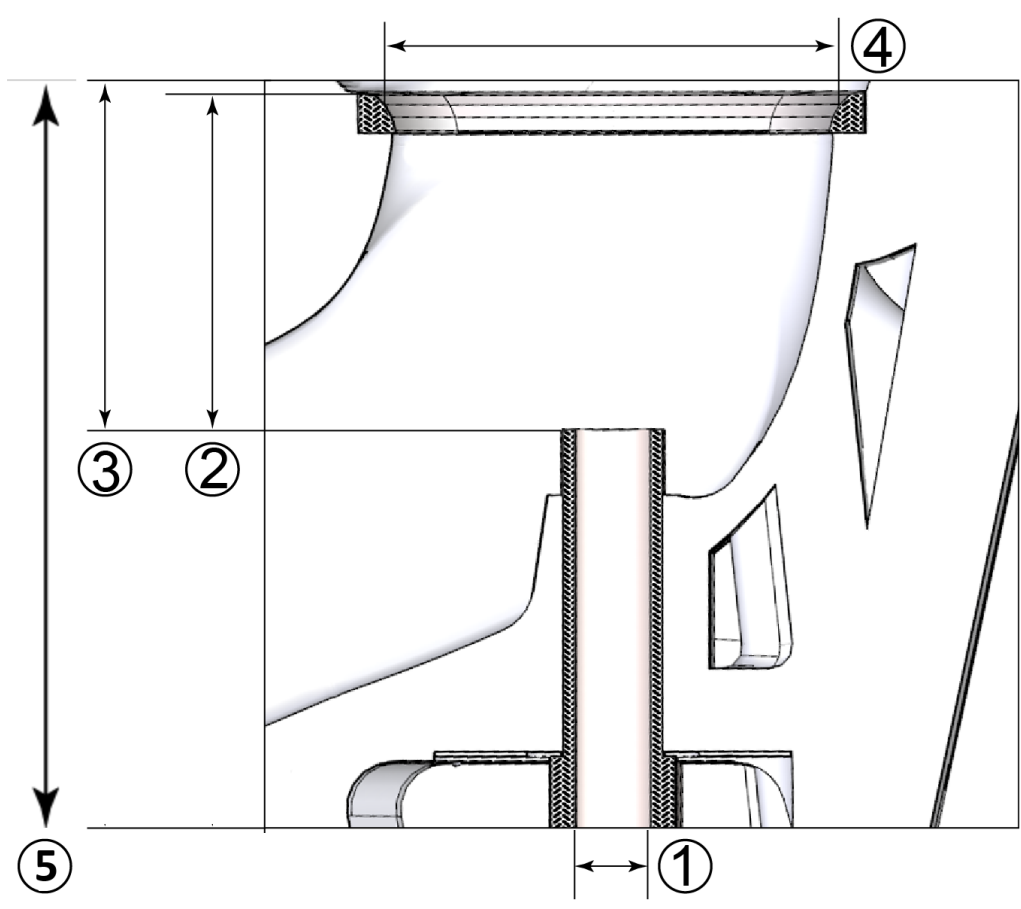
Custom Pilot Order Form

Company Name: _____ Account # _____

Contact Name: _____ Phone # _____

Contact Email: _____

Simply fill in the information below and contact Rottler for further ordering assistance. We will be able to select the proper shank size, pilot diameter, and overall pilot length to best suit your application. We take all the guesswork out so you get the right pilot the first time.



Valve Guide ID [1]	Distance from Top of Guide to Top of Valve Seat [2]	Distance from Top of Guide to Top of Gasket Surface [3]	Valve Seat Diameter [4]	Distance from Top of Gasket Surface to Bottom of Guide [5]