

ROTTLER

S85 & S86 SURFACING MACHINE OPTIONAL EQUIPMENT CATALOG







ORDERING PROCEDURE

Contact your regional Rottler sales rep for assistance in ordering optional equipment, replacement parts, or tooling.

If you are unable to contact your regional Rottler sales rep, call the factory at 253-872-7050 and ask to speak to the parts sales specialist.

Have the following information handy to expedite the ordering process:

1. Your name, business name, and contact number
2. Customer number
3. If you don't have a customer number, your billing address
4. Shipping address if different from billing address
5. Machine model and serial number
6. Part number and description of what you want to order
7. Preferred method of shipment

You may also contact us via e-mail with the above information. For customers within the U.S. send emails to parts@rottermfg.com, for customers outside of the U.S. use intlparts@rottermfg.com

In some cases you may be requested to send a photo of the part you are ordering if it is a replacement part, or doesn't appear in the database.

If you are unsure which part you need to order, contact our service department and ask to speak to one of our service consultants. They will assist you in determining which part you require.

THERE IS A MINIMUM ORDER OF \$25.00

S85 & S86 OPTIONAL EQUIPMENT PARTS CATALOG

Contents

Cutting Tools	1
Surfacing Tools	1
S80SURF.16 Flycutter Kit, 16" Dia	1
7224 Shell Mill, 2 1/2" Dia	2
7225Y Shell Mill, 4" Dia	3
Tool Holders	4
7202V Holder, Flycutter, 1/2" IC Inserts, Negative Rake	4
7202U Holder, Flycutter, 1/2" IC Inserts, 11° Positive Rake	4
7202X Holder, Flycutter, 3/8" IC Inserts	4
Cutting Inserts	5
Shell Mill Inserts	5
3/8" IC Inserts	5
1/2" IC Inserts	6
Fixturing	7
Parallels	7
11112 Universal 8" (203mm) Parallel	7
11114 Universal 16" (405mm) Parallel	8
7219W Universal 5.2" (132mm) Parallels	9
Block Locating Fixtures	10
502-1-72F V-Block Fixture	10
502-3-48Q In-Line Block Frame	11
502-3-49 VW 15° / Ford, Mazda, Isuzu 75° V-Block Fixture	11
502-3-52 Cadillac Catera V6 Fixture	12
502-3-23 Marine Outboard Fixture	12
502-3-23C Marine Outboard Fixture	13
7330 Universal Economy Automotive Head & Block Fixture	13
7243 Mid-size Diesel Block Fixture	14
502-1-46T Locator Bar, 2" (50.8mm)	15
550-5-10 Main Bearing Bushings, Detroit 8.2L Diesel	15



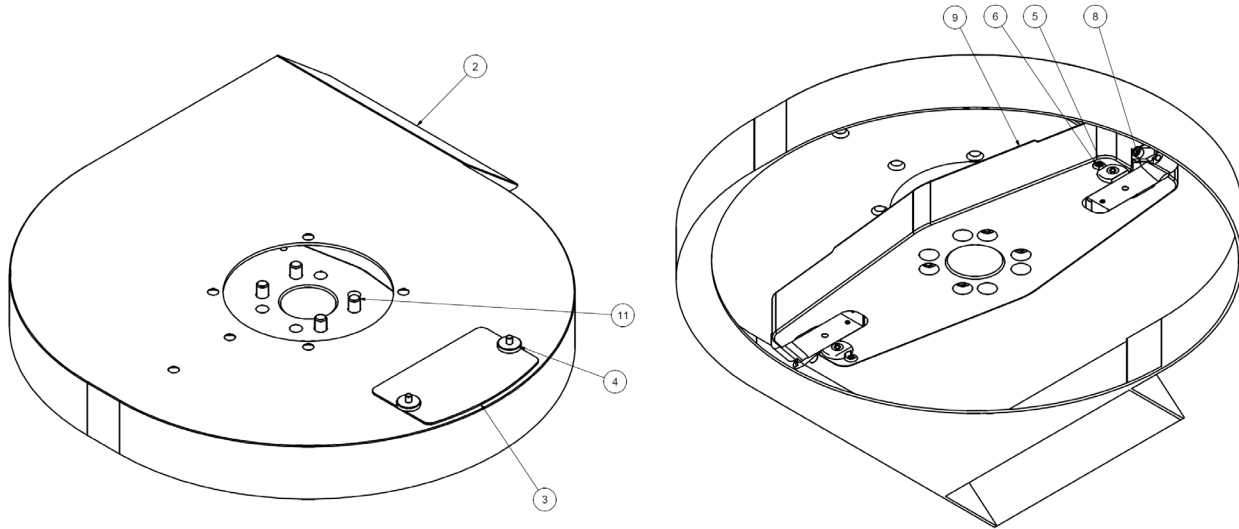
Auxiliary Equipment..... 16

- 7209M Leveling Table 16
- 7242M Clamp Tower 22
- 7119P Tooling Package, Universal Work Holding System 23
- 7152A Dual Axis Level 24
- 201 Mitutoyo Surface Tester 25
- 7209N 2-Piece Vise Parts 25
- 7226G Exhaust/Intake Manifold Surfacing Fixture 26
- 7038Y Flatness Probe Dial Indicator 27
- 650-3-38 Machinist Level 27

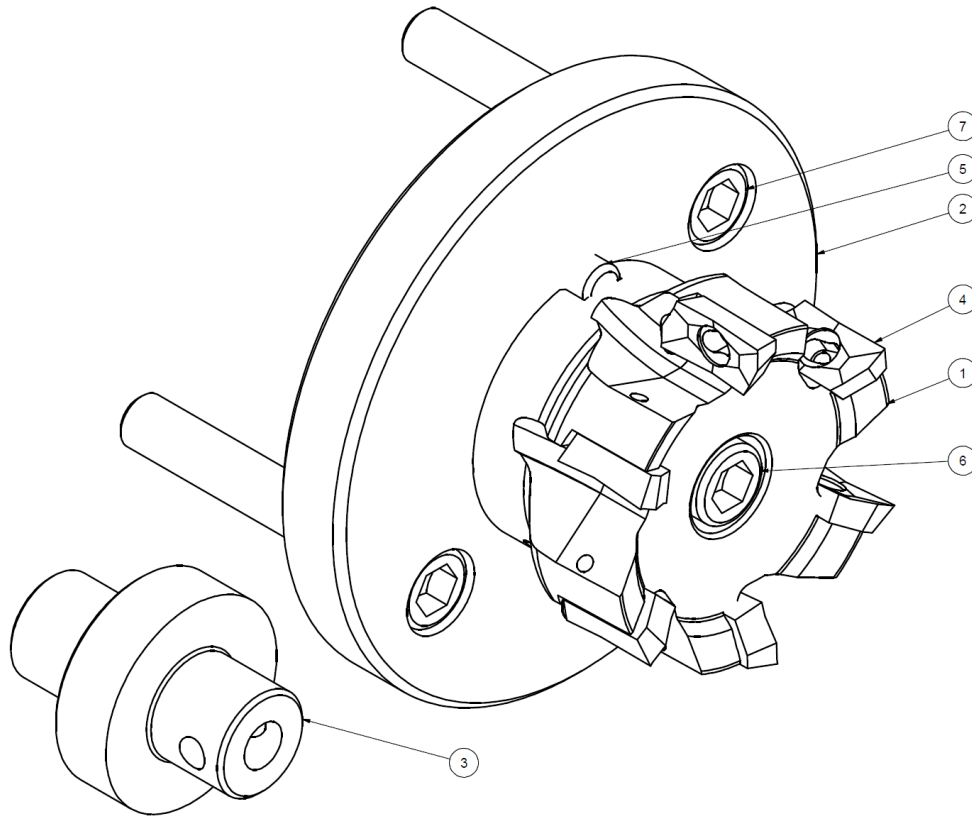
Cutting Tools

Surfacing Tools

S80SURF.16 Flycutter Kit, 16" Dia.

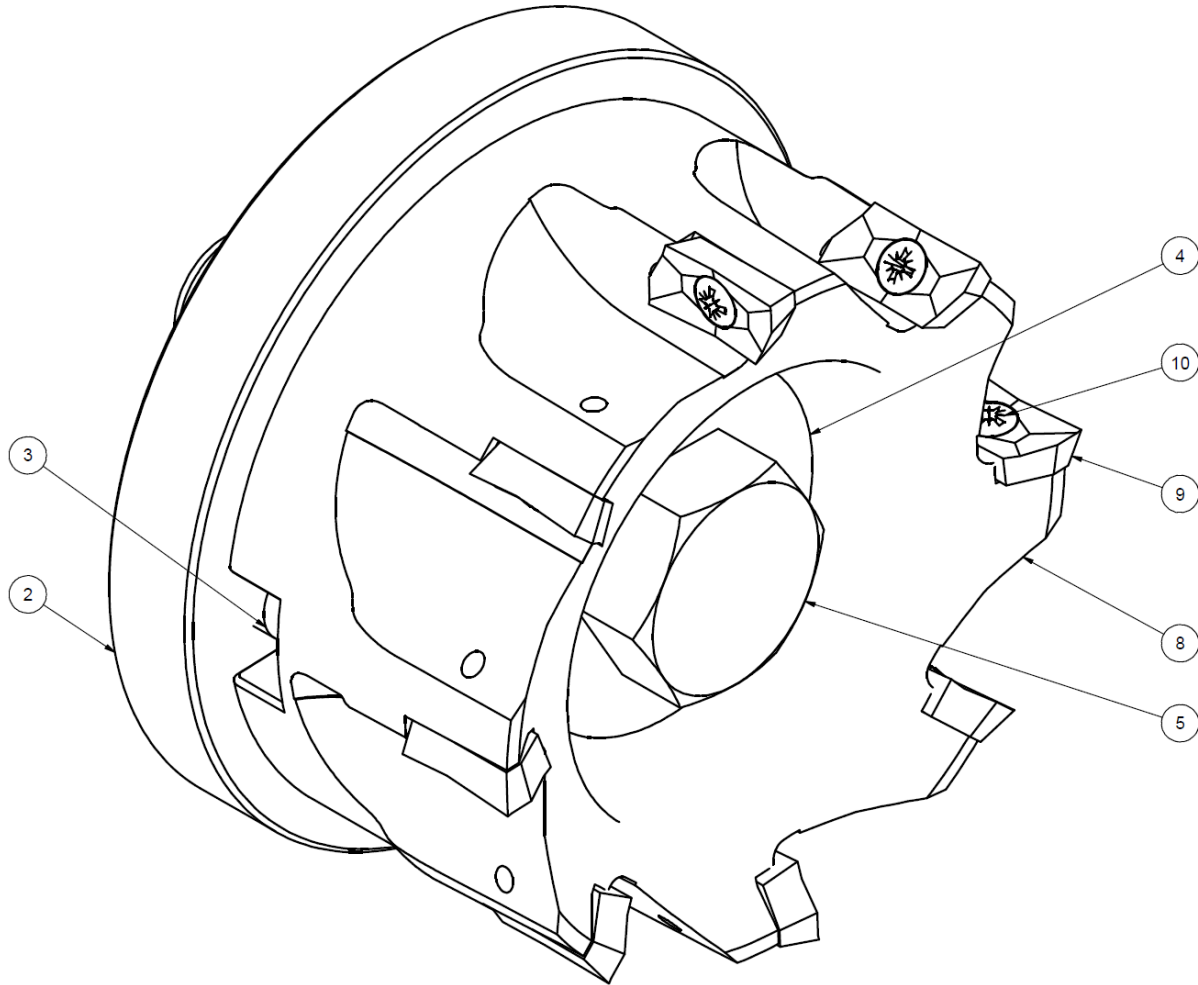


ITEM	QTY	PART NUMBER	DESCRIPTION
2	1	7307	CHIP SHIELD (16") – S80 SURFACING MACHINE
3	1	7307A	ACCESS COVER, CHIP SHIELD – S80 SURFACER
4	2	7042F	WASHER NUT – CHIP SHIELD SF
5	2	7206K	L'LOCK
6	2	MF-87	S.H.C.S #10-24 X ¼"
8	2	7202W	TOOL HOLDER ASSEMBLY, FLY CUTTER
9	1	7206N	MILLING CUTTERHEAD, 16" DIA W/ ¾" X 1" TOOL HOLDER
11	4	MF-33	S.H.C.S. ¾-16 X 1 ½"

7224 Shell Mill, 2 1/2" Dia

ITEM	QTY	PART NUMBER	DESCRIPTION
1	1	7224E	SHELL MILL, 2 1/2" DIA
2	1	7224C	ADAPTER, 2 1/2" SHELL MILL
3	1	7225T	BUSHING, ADAPTER, 2 1/2"
4	6	6514T	INSERT, SHELL MILL, 18MM
5	2	-	DOWEL PIN, 5/16 X 5/8"
6	1	-	S.H.C.S. 3/8-16 X 5/8"
7	2	-	S.H.C.S. 3/8-16 X 2 1/4"

7225Y Shell Mill, 4" Dia



ITEM	QTY	PART NUMBER	DESCRIPTION
2	1	7225Z	ADAPTER, 4" SHELL MILL
3	1	MF-213B	DOWEL PIN, 1/2" X 1"
4	1	6287C	WASHER, THRUST, 3/4" ID X 2" OD
5	1	-	H.H.C.S. 3/4-16 X 3"
8	1	7224F	4" SHELL MILL
9	8	6514T	INSERT, SHELL MILL 18MM
10	8	-	RECESSED OVAL COUNTERSUNK SCREW, M3.5X0.6 X 10MM

Tool Holders

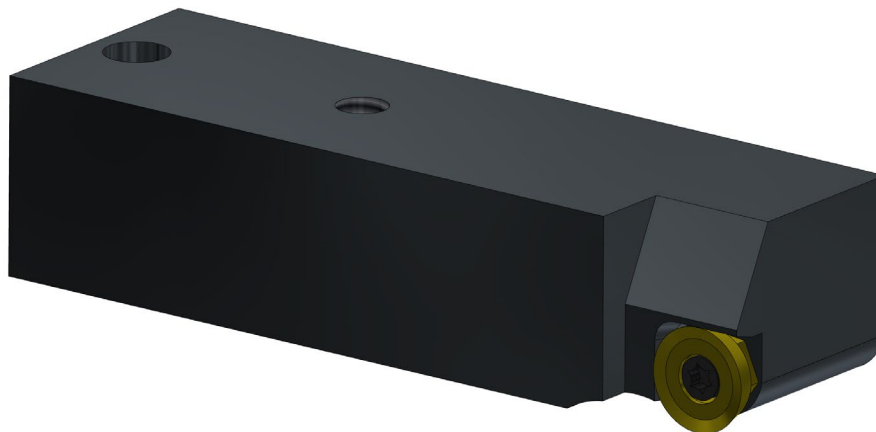
7202V Holder, Flycutter, 1/2" IC Inserts, Negative Rake






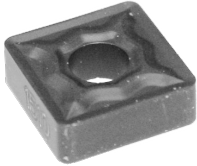






7202U Holder, Flycutter, 1/2" IC Inserts, 11° Positive Rake



7202X Holder, Flycutter, 3/8" IC Inserts



Cutting Inserts

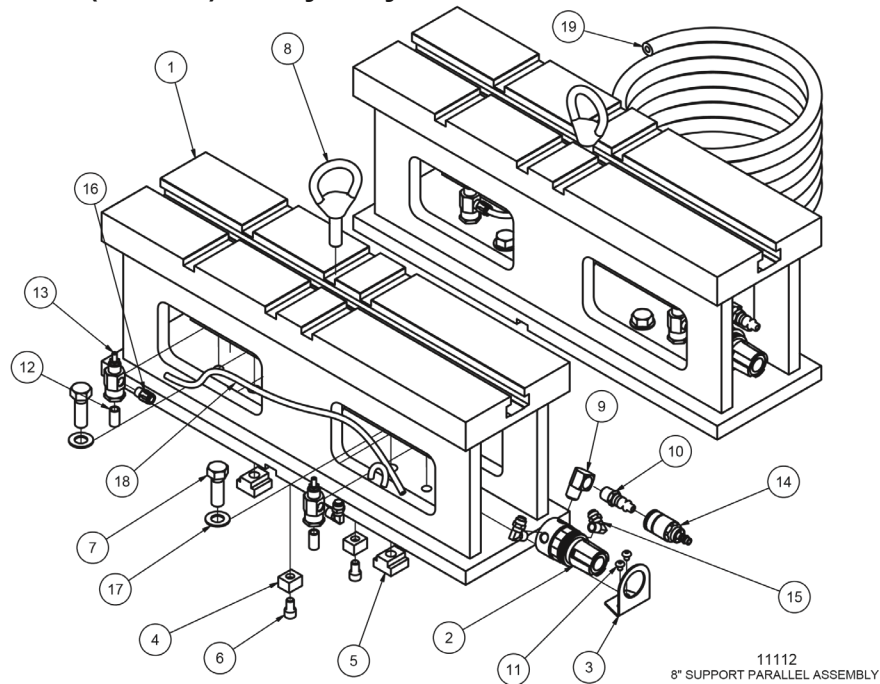
<p>6514T Insert, Shell Mills, 18mm, 0.8mm radius For Shell Mills: 7224, 7225Y</p> 		
<p>6301I, 3/8" IC, 1/16" radius, Ceramic Composite Insert For cutting pre-combustion chambers, negative rake</p> 	<p>6301J 3/8" IC, 1/16" radius, CBN Insert Double Sided, for heavy stock removal</p> 	<p>RS322 3/8" IC, 1/32" radius, Square negative rake, for roughing</p> 
<p>6303B 3/8" IC, Round, CBN Insert Double Sided, for cast iron</p> 	<p>6303K 3/8" IC, Round, Coated Carbide Insert for aluminum and cast iron</p> 	<p>6303M 3/8" IC, Round, PCD Insert for finishing aluminum</p> 
<p>6303R 3/8" IC, Round, CBN Insert for cast iron heads with steel pre-cups</p> 	<p>6303S 3/8" IC, Round, CBN Insert for cutting aluminum heads with steel pre-cups and aluminum blocks with liners</p> 	<p>6301V 3/8" IC, Round, Ceramic Composite Insert For cutting pre-combustion chambers, negative rake</p> 

<p>6303U 3/8" IC, Round, CBN Insert Single Sided, For hard cast iron</p> 	<p>6303V 3/8" IC, Octagonal, CBN Insert for surfacing large diesel blocks</p> 	<p>7202Z 3/8" IC, Round Insert coated for aluminum cylinder head precup cutting, also for soft cast iron precups like Land Rover. Use with 7202X tool holder only.</p> 
<p>6303Q 1/2" IC, Round, CBN Insert Double Sided, for general cast iron surfacing</p> 	<p>6303P 1/2" IC, Round, PCD Insert for finishing aluminum</p> 	

Fixturing

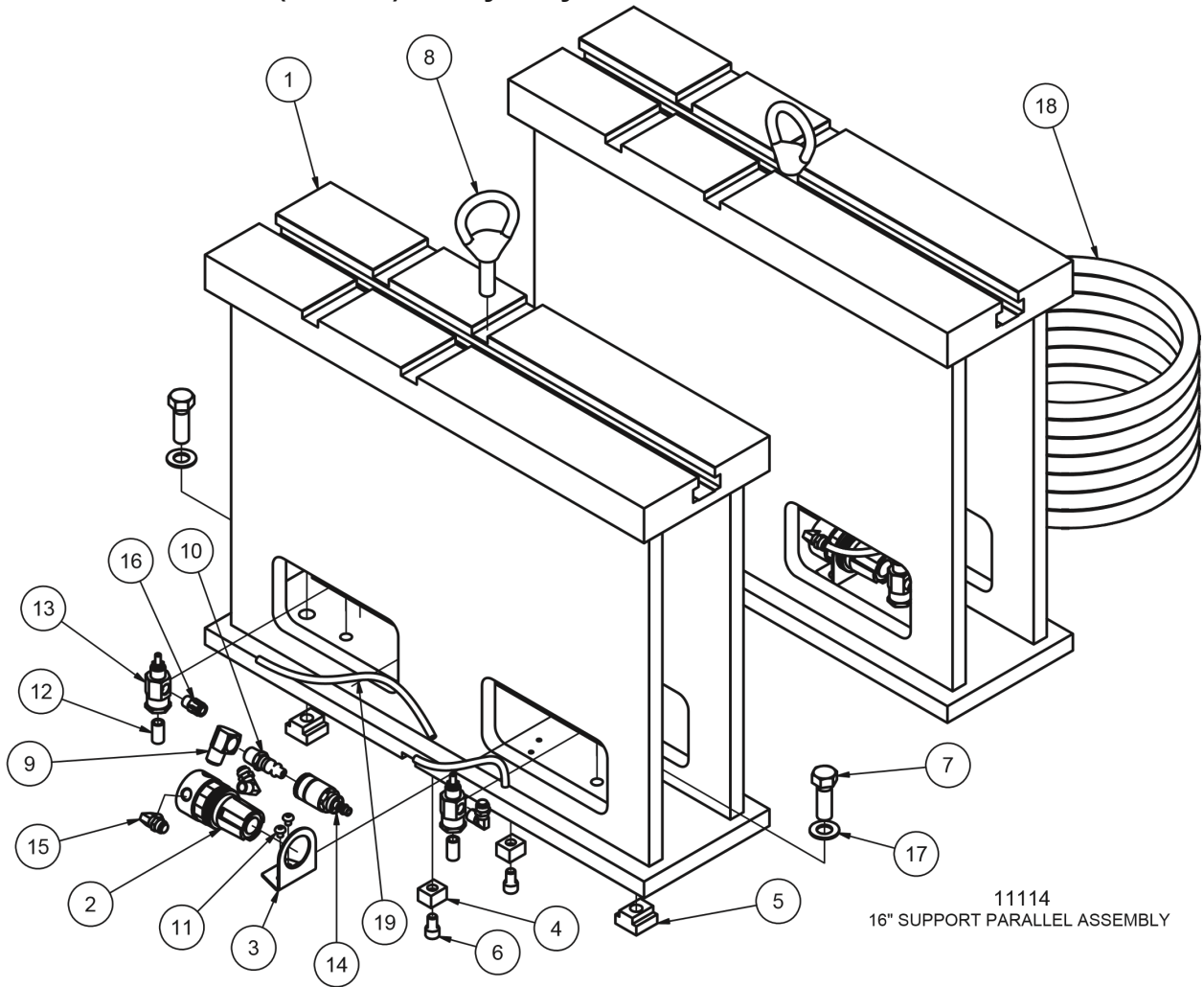
Parallels

11112 Universal 8" (203mm) Heavy Duty T-Slot Parallels Parts



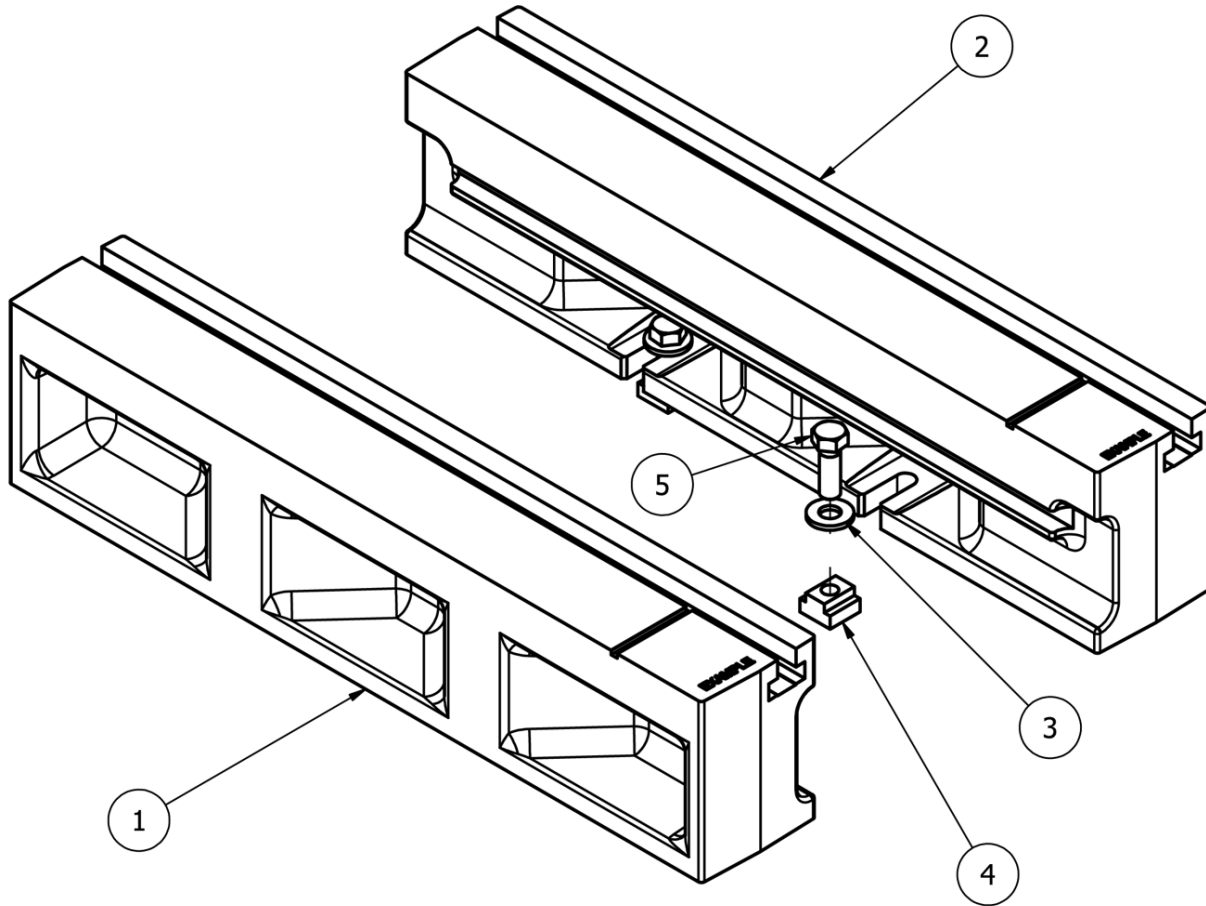
ITEM	QTY	PART NUMBER	DESCRIPTION
1	2	11112A	SUPPORT PARALLEL 8" (MACHINING)
2	2	502-27-17	REGULATOR 0-60 PSI
3	2	502-27-17A	REGULATOR BRACKET
4	4	650-3-9	KEY
5	4	650-3-10	TN-5, T-NUT
6	4	MF-21A	S.H.C.S. 5/16-18 X 1/2"
7	4	MF-137A	HEX BOLT 1/2-13 X 1 1/2"
8	2	502-3-13	LIFT EYE
9	2	502-11-17S	STREET ELL, 1/4"
10	2	502-11-16X	QUICK CONNECT AIR FITTING, MALE
11	4	MF-87	B.H.C.S. #10-24 X 1/4"
12	4	502-11-17J	NIPPLE, CLOSE, 1/8" NPT
13	4	502-11-35A	FLOW CONTROL
14	1	502-11-16W	QUICK CONNECT AIR FITTING, FEMALE
15	6	502-11-16I	ELBOW, MALE, 1/4" X 1/8" NPT
16	2	514-4-17W	FITTING 1/8" NPT X 1/4" TUBE
17	4	MF-180	FLAT WASHER, 1/2"
18	3 FT	502-11-15	BLACK POLYFLOW, 1/4" OD
19	15 FT	502-1-98	AIR HOSE, 1/4"

11114 Universal 16" (406mm) Heavy Duty T-Slot Parallels



11114
16" SUPPORT PARALLEL ASSEMBLY

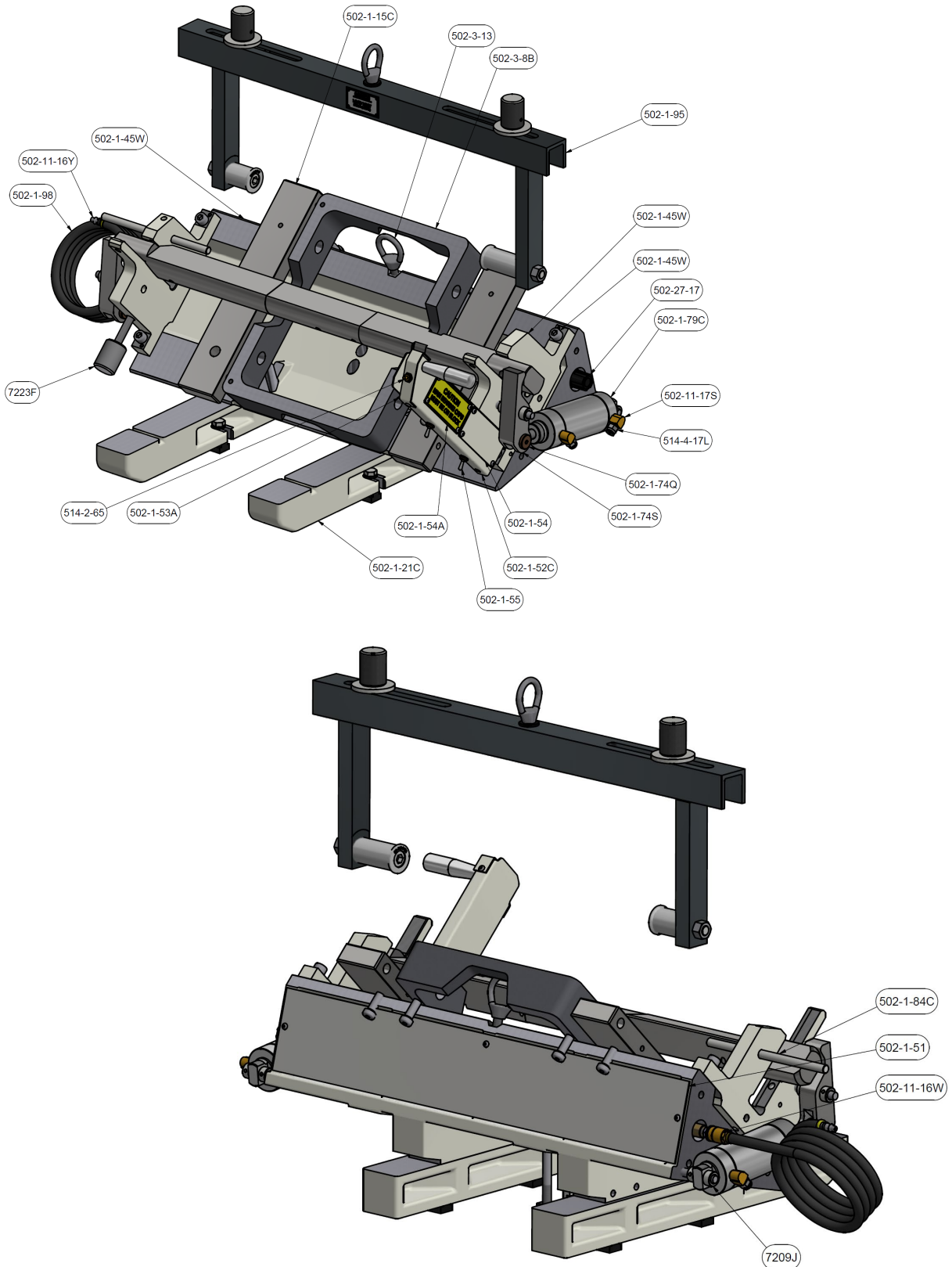
ITEM	QTY	PART NUMBER	DESCRIPTION
1	2	11114A	SUPPORT PARALLEL, 16" (MACHINING)
2	2	502-27-17	REGULATOR 0-60 PSI
3	2	502-27-17A	REGULATOR BRACKET
4	4	650-3-9	KEY
5	4	650-3-10	TN-5, T-NUT
6	4	MF-21A	S.H.C.S. 5/16-18 X 1/2"
7	4	MF-137A	HEX BOLT 1/2-13 X 1 1/2"
8	2	502-3-13	LIFT EYE
9	2	502-11-17S	STREET ELL, 1/4"
10	2	502-11-16X	QUICK CONNECT AIR FITTING, MALE
11	4	MF-87	B.H.C.S. #10-24 X 1/4"
12	4	502-11-17J	NIPPLE, CLOSE, 1/8" NPT
13	4	502-11-35A	FLOW CONTROL
14	1	502-11-16W	QUICK CONNECT AIR FITTING, FEMALE
15	6	502-11-16I	ELBOW, MALE, 1/4" X 1/8" NPT
16	2	514-4-17W	FITTING 1/8" NPT X 1/4" TUBE
17	4	MF-180	FLAT WASHER, 1/2"
18	3 FT	502-1-98	BLACK POLYFLOW, 1/4" OD
19	15 FT	502-11-15	AIR HOSE, 1/4"

7219W Universal 5.2" (132mm) Parallels

ITEM	QTY	PART NUMBER	DESCRIPTION
1	1	7219V	RISER, 5.19", LEFT HAND
2	1	7219T	RISER, 5.19", RIGHT HAND
3	4	100-19A	HARDENED WASHER, 17/32" I.D.
4	4	650-3-10	TN-5, T-NUT
5	4	MF-137A	H.H.C.S. 1/2-13 X 1 1/2"

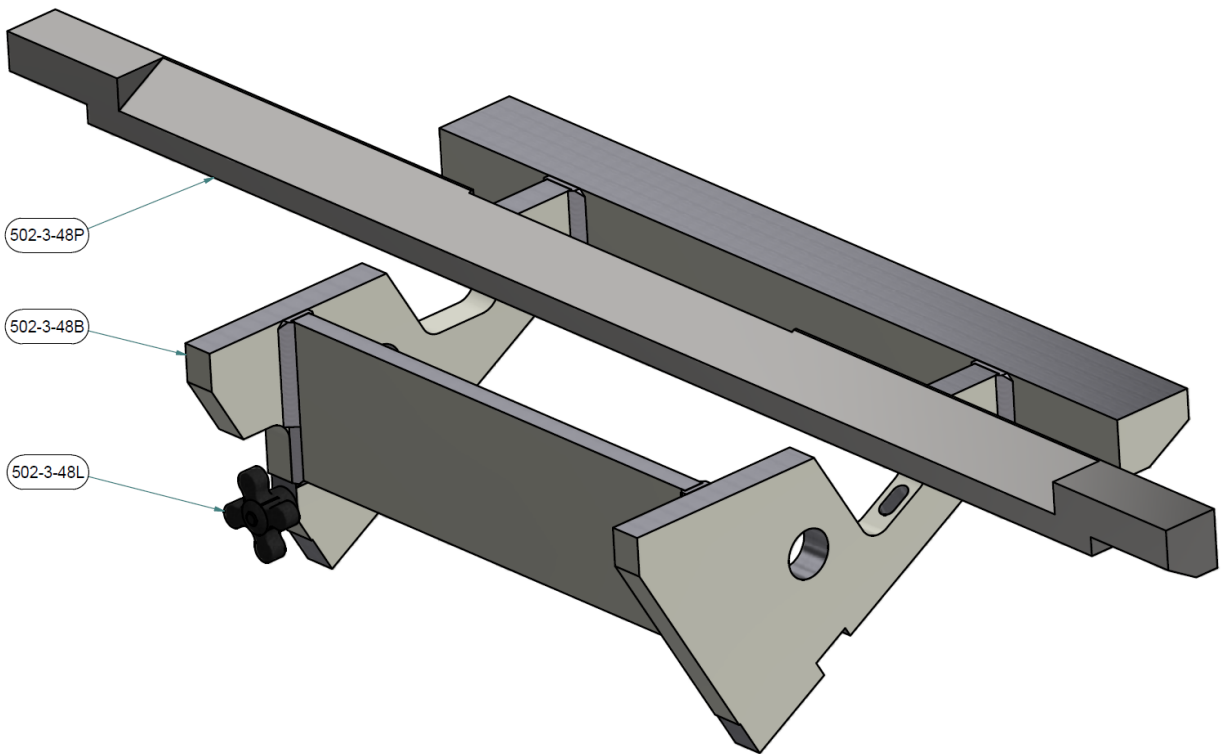
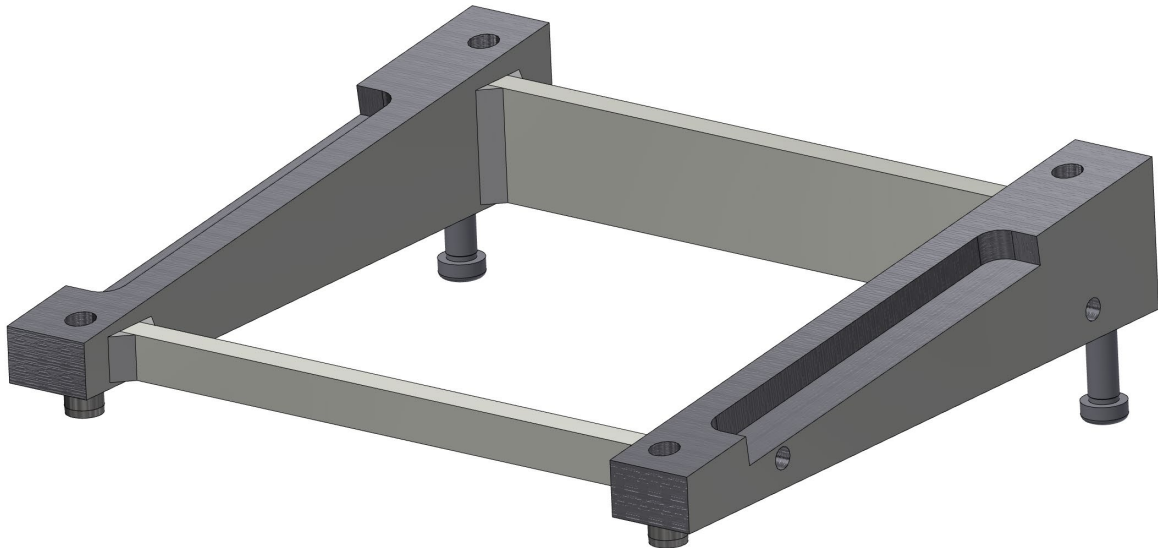
Block Locating Fixtures

502-1-72F V-Block Fixtures

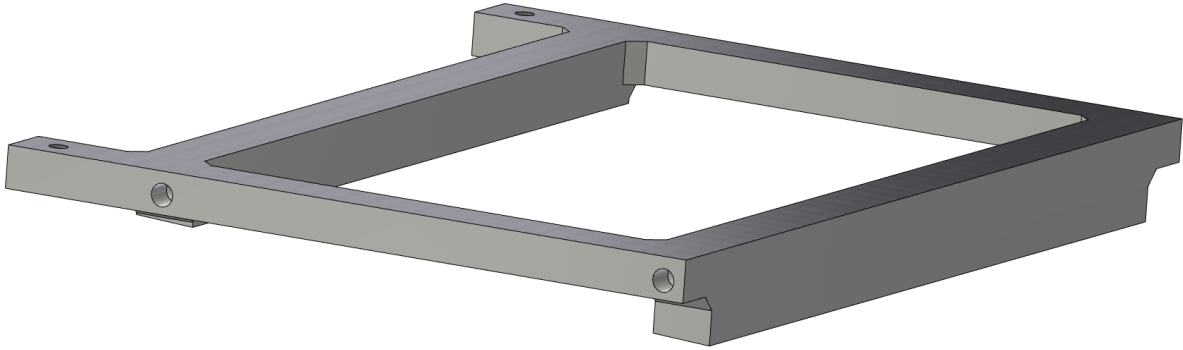


502-3-48Q In-Line Block Frame

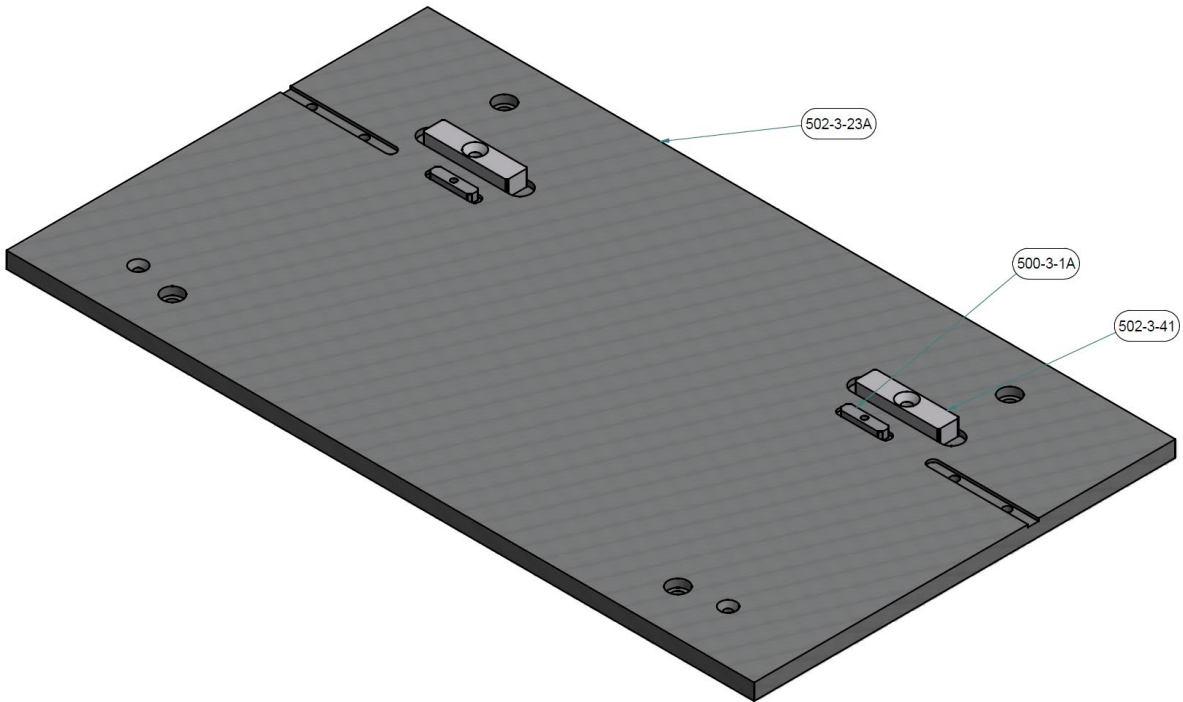
Mounts onto 502-1-72F V-Block Frame

**502-3-49 VW 15° / Ford, Mazda, Isuzu 75° V-Block Fixture**

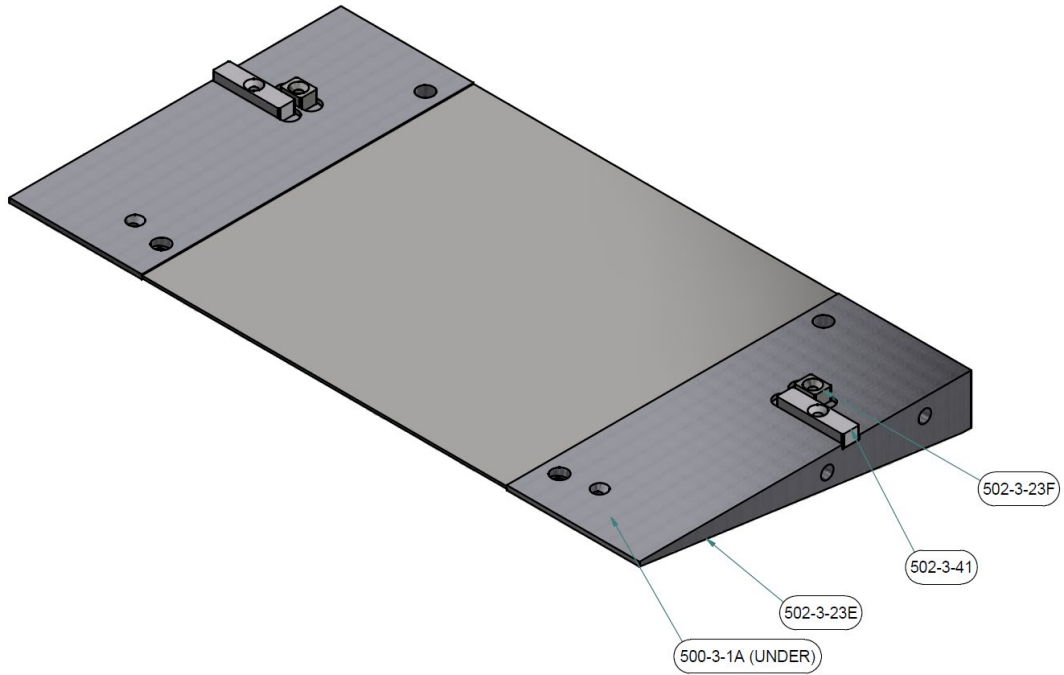
502-3-52 Cadillac Catera V6 Fixture



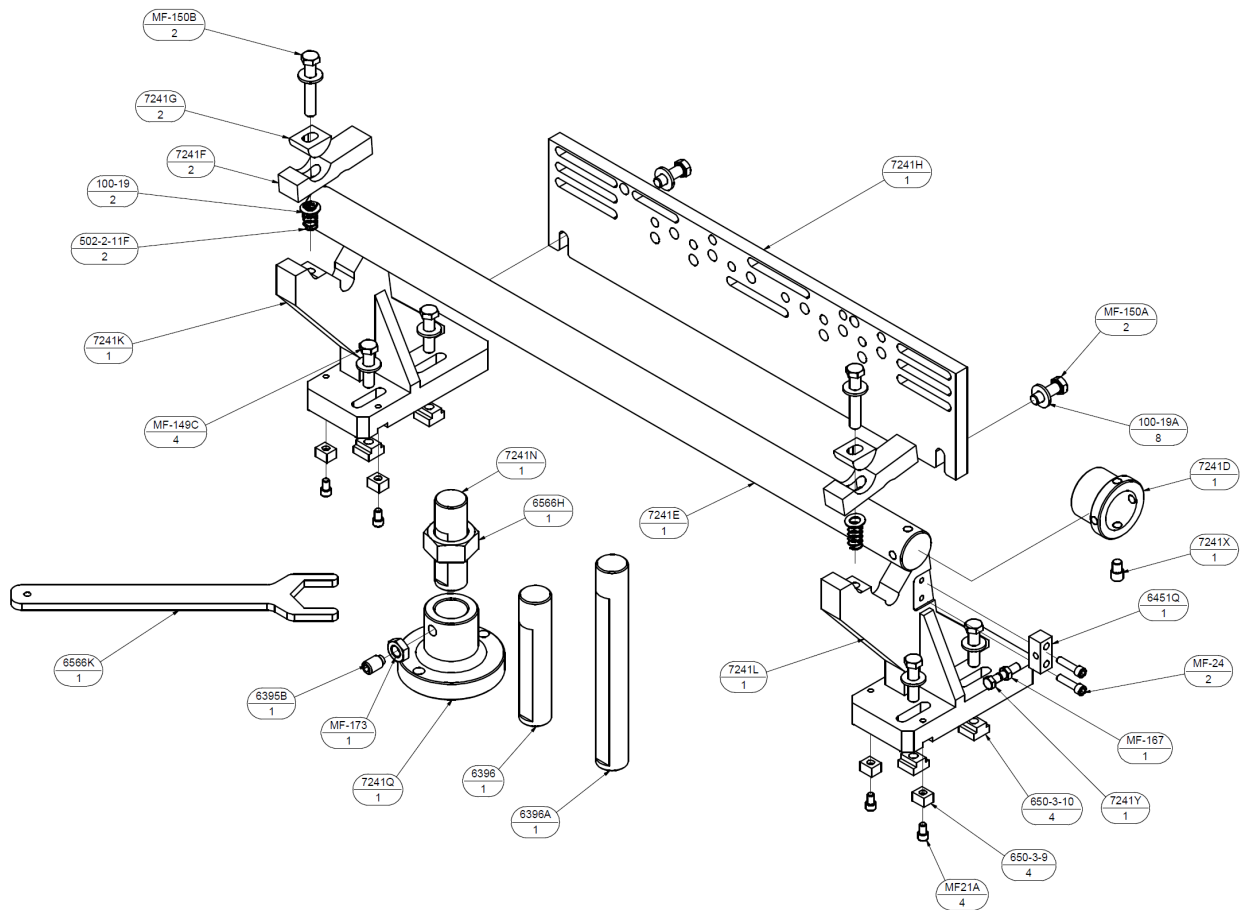
502-3-23 Marine Outboard Fixture



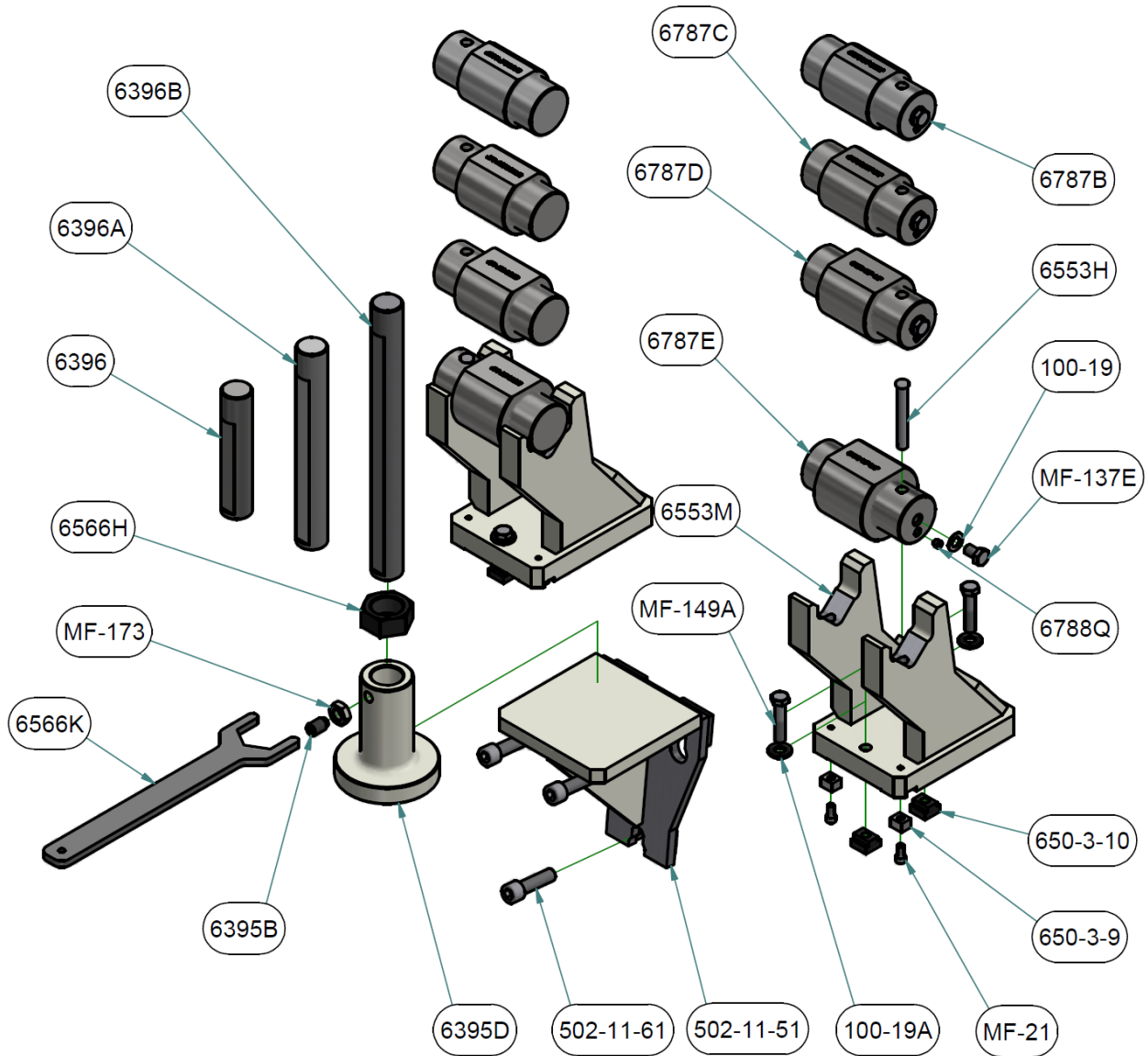
502-3-23C Marine Outboard Fixture



7330 Universal Economy Automotive Block Fixture



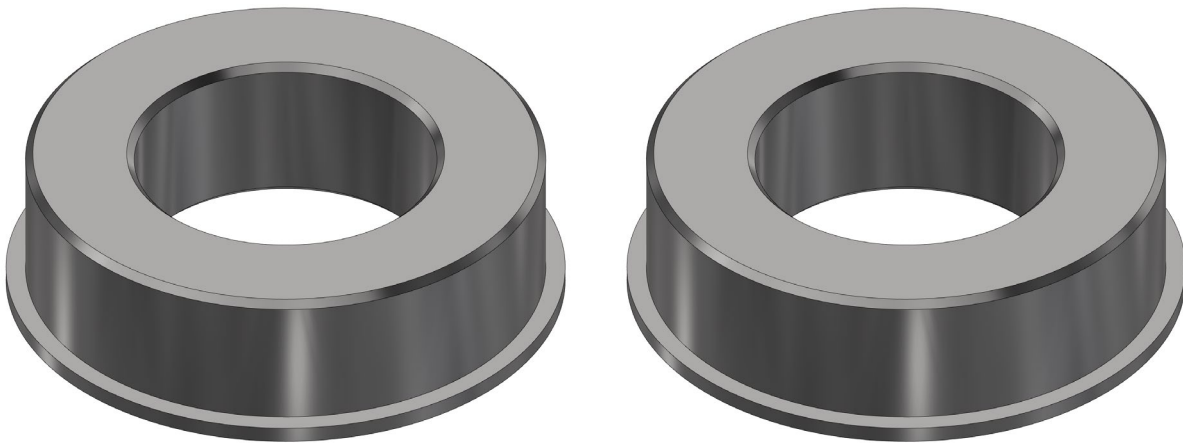
7243 Mid-size Diesel Block Fixture



502-1-46T Locator Bar, 2" (50.8mm) Dia.



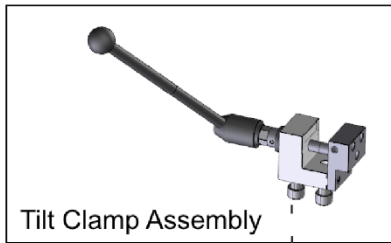
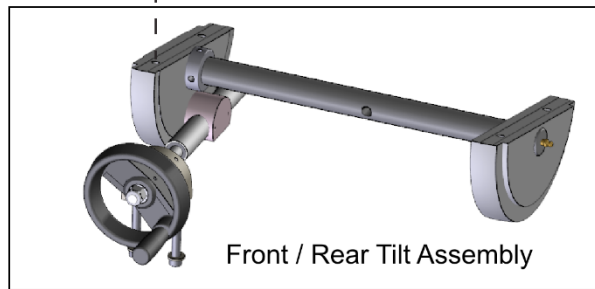
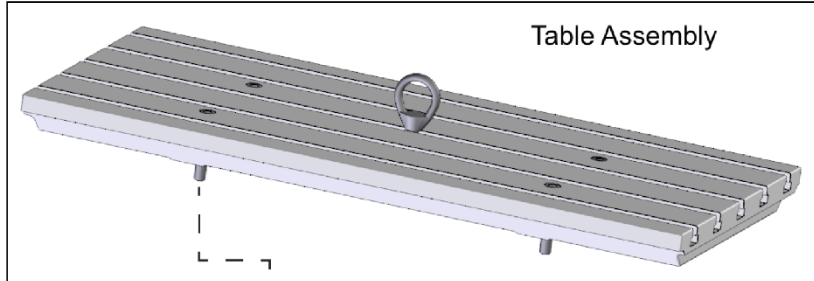
550-5-10 Main Bearing Bushings, Detroit 8.2L Diesel



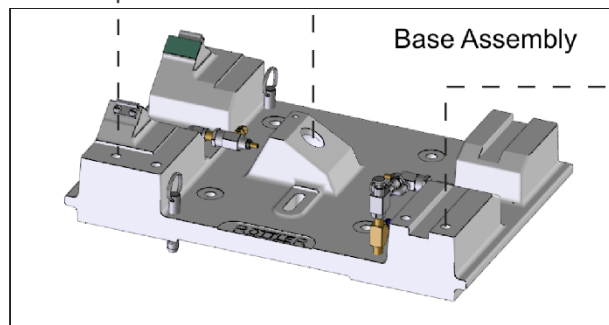
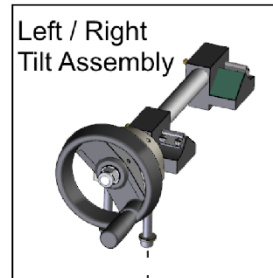
Auxiliary Equipment

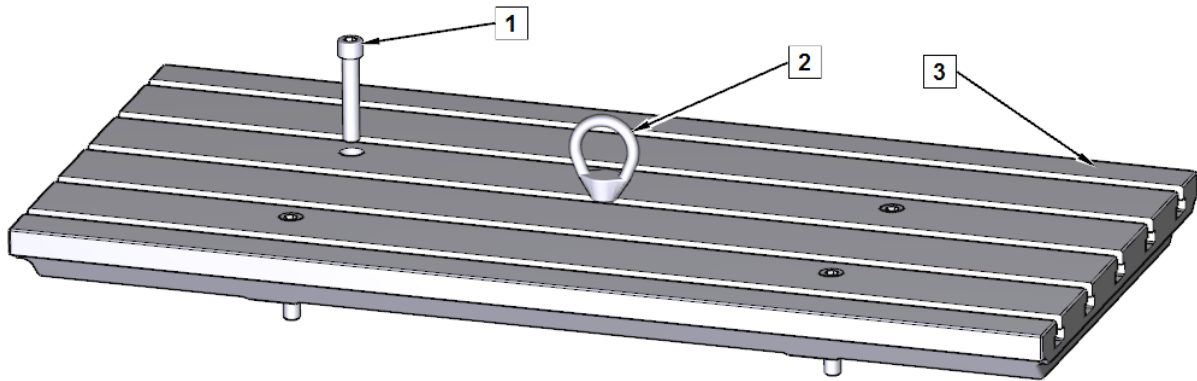
7209M Dual Axis Leveling Table

7209M Leveling Table Sections

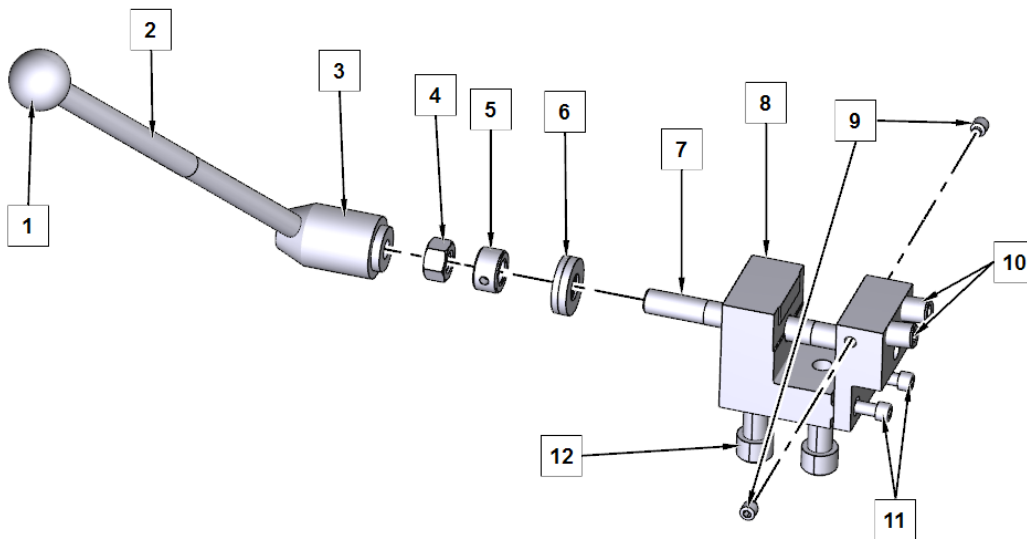


Tensioner Assembly

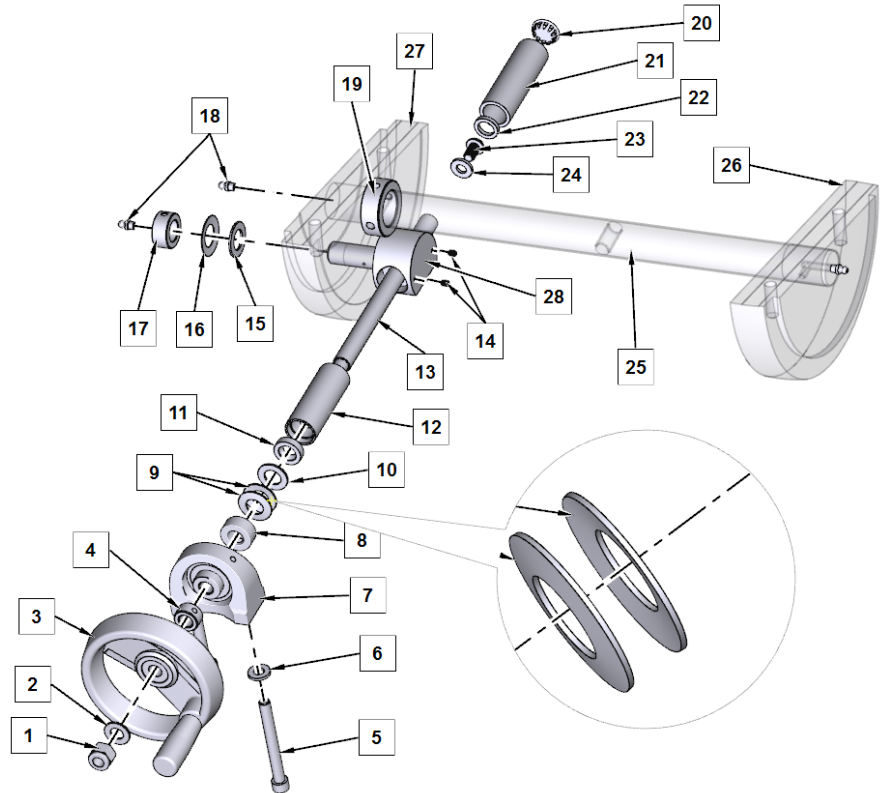




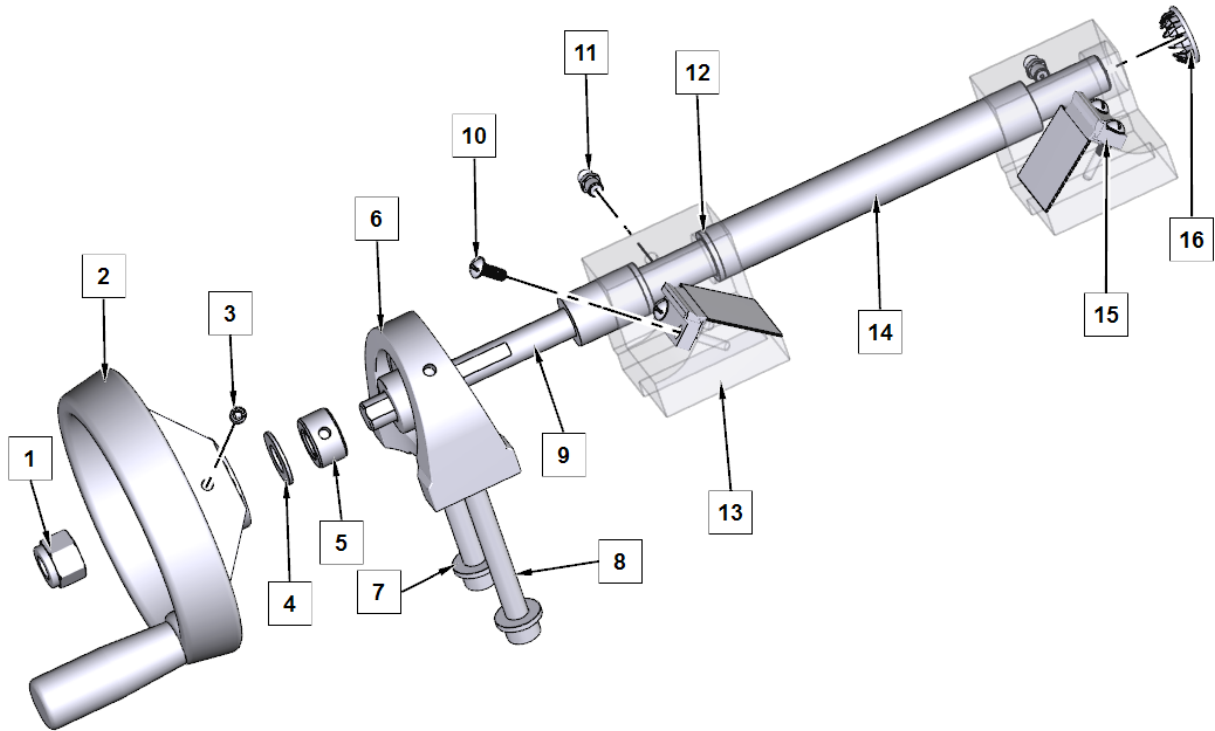
ITEM	QTY	PART NUMBER	DESCRIPTION
1	4	MF-45	SOCKET HEAD CAPSCREW, 1/2-13 X 2"
2	1	502-3-13	EYE, LIFTING
3	1	7207C	TABLE, DUAL AXIS HEAD FIXTURE



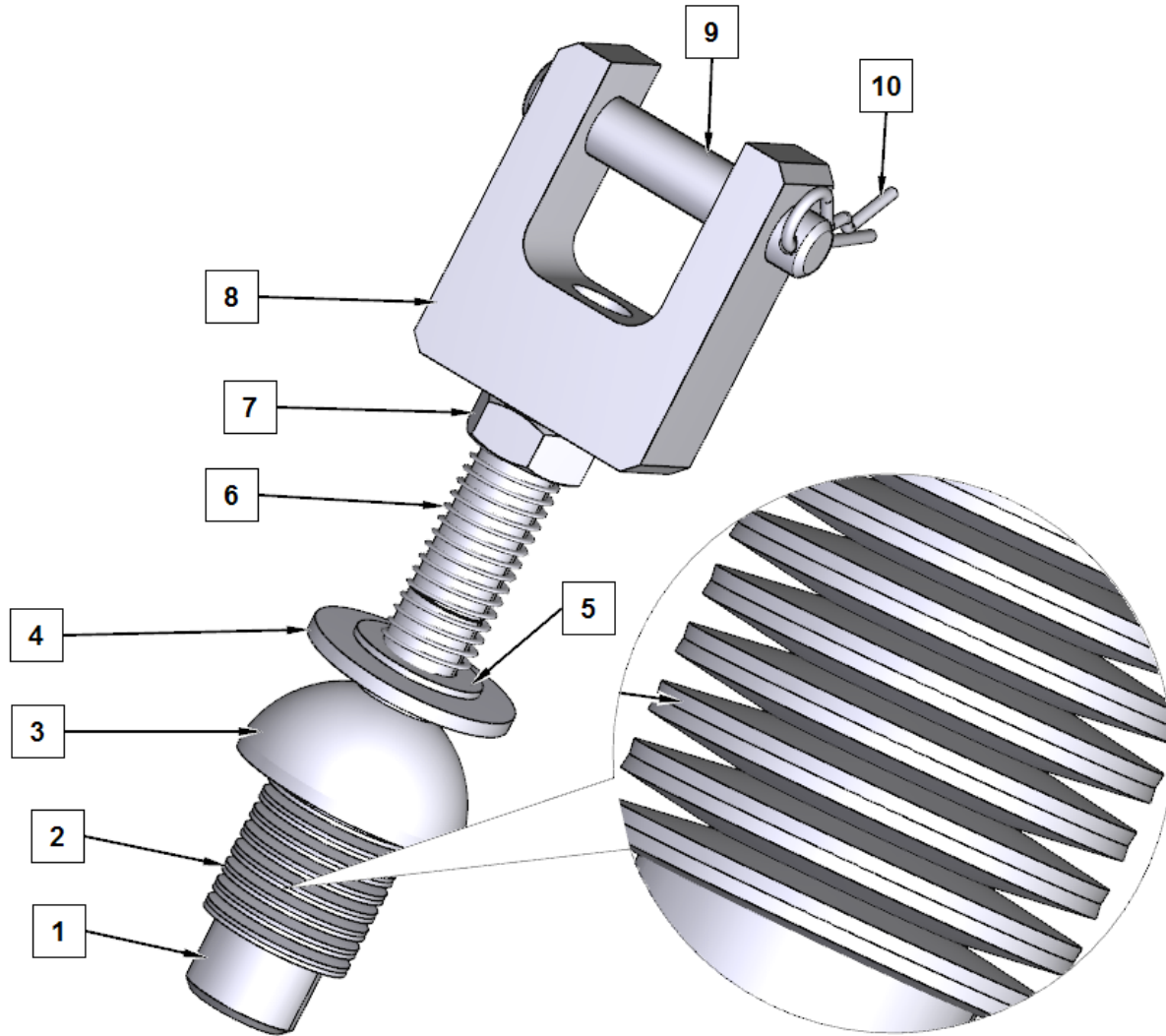
ITEM	QTY	PART NUMBER	DESCRIPTION
1	1	514-2-39E	KNOB, ADJUSTABLE HANDLE
2	1	514-2-39B	EXTENDER, ADJUSTABLE HANDLE
3	1	514-2-39D	HANDLE, ADJUSTABLE - CLAMP STOP
4	1	MF-165	HEX NUT, 1/2-13
5	1	7209J	COLLAR, 1/2" SHAFT
6	1	7209E	WASHER, SPHERICAL
7	1	7207Z	SHAFT, JOURNAL CLAMP
8	1	7210J	CLAMP BLOCK, JOURNAL CLAMP
9	2	504-29-36	SCREW, SET - BRASS TIPPED 5/16-18 X 5/16"
10	2	7209B	SCREW, SET - BRASS TIPPED 1/2-20 X 3/4"
11	2	MF-12	SOCKET HEAD CAP SCREW, 1/4-20 X 1/2"
12	2	MF-45	SOCKET HEAD CAP SCREW, 1/2-13 X 2"



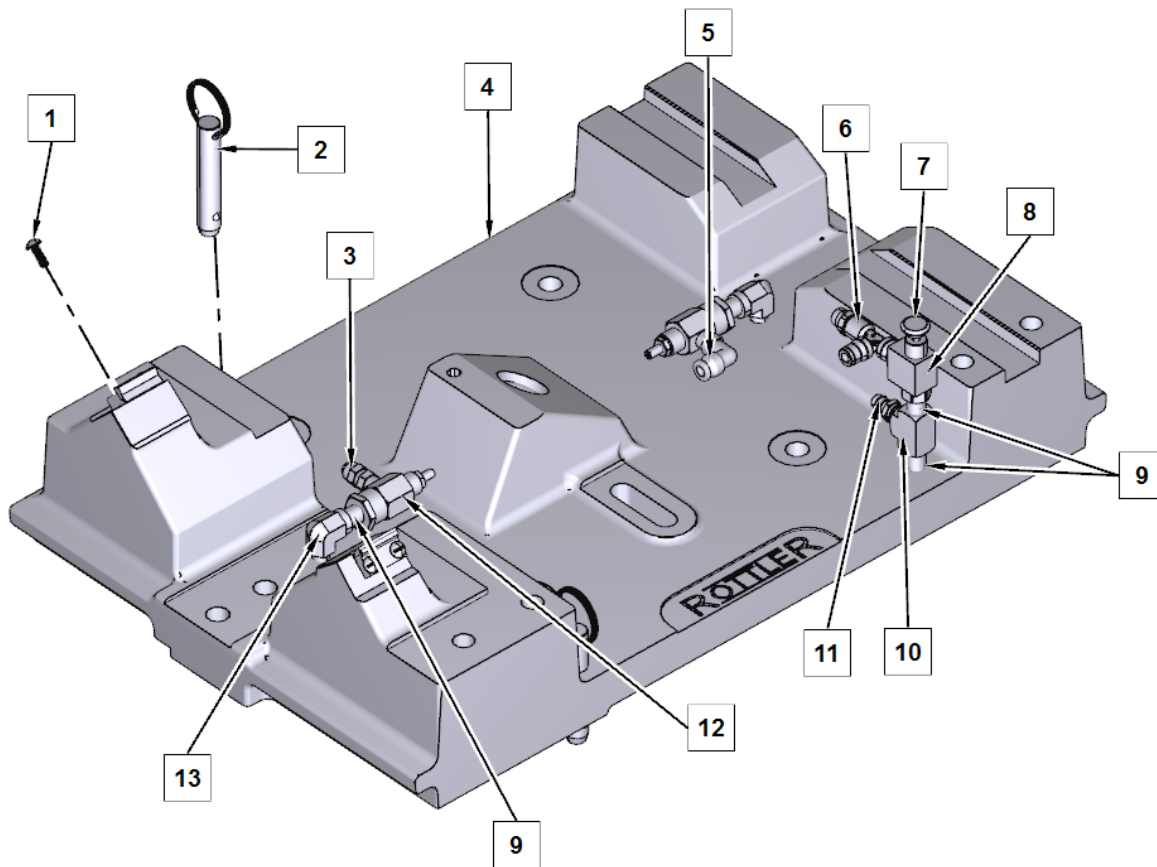
ITEM	QTY	PART NUMBER	DESCRIPTION
1	1	MF-186	NYLOCK NUT, 1/2-13
2	1	100-19	WASHER, THRUST
3	1	7201M	HANDWHEEL
4	1	7209J	COLLAR, 1/2" SHAFT
5	2	MF-36A	SOCKET HEAD CAPSCREW, 3/8-16 X 3 1/2"
6	2	100-28-32	WASHER, 3/32" THICK
7	1	7201D	BLOCK, PILLOW, LEVEL ADJUST
8	1	7199E	COLLAR, SUPPORT BLOCK (5/8" DIA)
9	2	514-7-21	WASHER, BELLEVILLE
10	1	514-7-20	WASHER, THRUST
11	1	7209F	SEAL, PIVOT NUT TUBE
12	1	7201Y	TUBE, SEALED - PIVOT NUT
13	1	7209Q	SHAFT, FRONT/REAR TABLE TILT
14	2	MF-52	SOCKET SET SCREW, CUP POINT, #10-24 X 1/4"
15	1	514-2-90	WASHER, THRUST
16	1	7209K	WASHER, BELLEVILLE - PIVOT NUT
17	1	7201X	COLLAR, PIVOT NUT
18	2	MF-189	1/4-28 STRAIGHT LUBE GREASE FITTING
19	1	7207X	COLLAR, CLAMP BAR - 1 1/4"
20	1	506-3-1	PLUG, SNAP-IN HOLE - 7/8"
21	1	7201T	TUBE, CAPPED - PIVOT NUT
22	1	514-7-35	O-RING, LEVELING TABLE
23	1	MF-97	SOCKET BUTTON HEAD SCREW 3/8-16 X 5/8"
24	1	100-28-32	WASHER, 3/32"
25	1	7207V	BAR, CLAMP
26	1	7207J	JOURNAL, RIGHT
27	1	7207H	JOURNAL, LEFT



ITEM	QTY	PART NUMBER	DESCRIPTION
1	1	MF-186	NYLOCK NUT, 1/2-13
2	1	7201M	HANDWHEEL
3	1	MF-60	SOCKET SET SCREW, CUP POINT, 1/4-20 X 1/4"
4	1	100-19	WASHER, THRUST
5	1	7209J	COLLAR, 1/2" SHAFT
6	1	7201D	BLOCK, PILLOW, LEVEL ADJUST
7	2	100-28-32	WASHER, 3/32" THICK
8	2	MF-36A	SOCKET HEAD CAPSCREW, 3/8-16 X 3 1/2"
9	1	7207M	SHAFT, LEFT/RIGHT TILT
10	1	MF-111	ROUND HEAD MACHINE SCREW, #10-24 X 1/2"
11	1	MF-189	1/4-28 STRAIGHT LUBE GREASE FITTING
12	1	7209H	BUMPER, LEFT/RIGHT PIVOT
13	1	7222	BLOCK, FRONT BEARING
14	1	7207N	COVER, LEFT/RIGHT TILT SHAFT
15	1	7198Y	WIPER, JOURNAL
16	1	506-3-1	PLUG, SNAP-IN HOLE - 7/8"

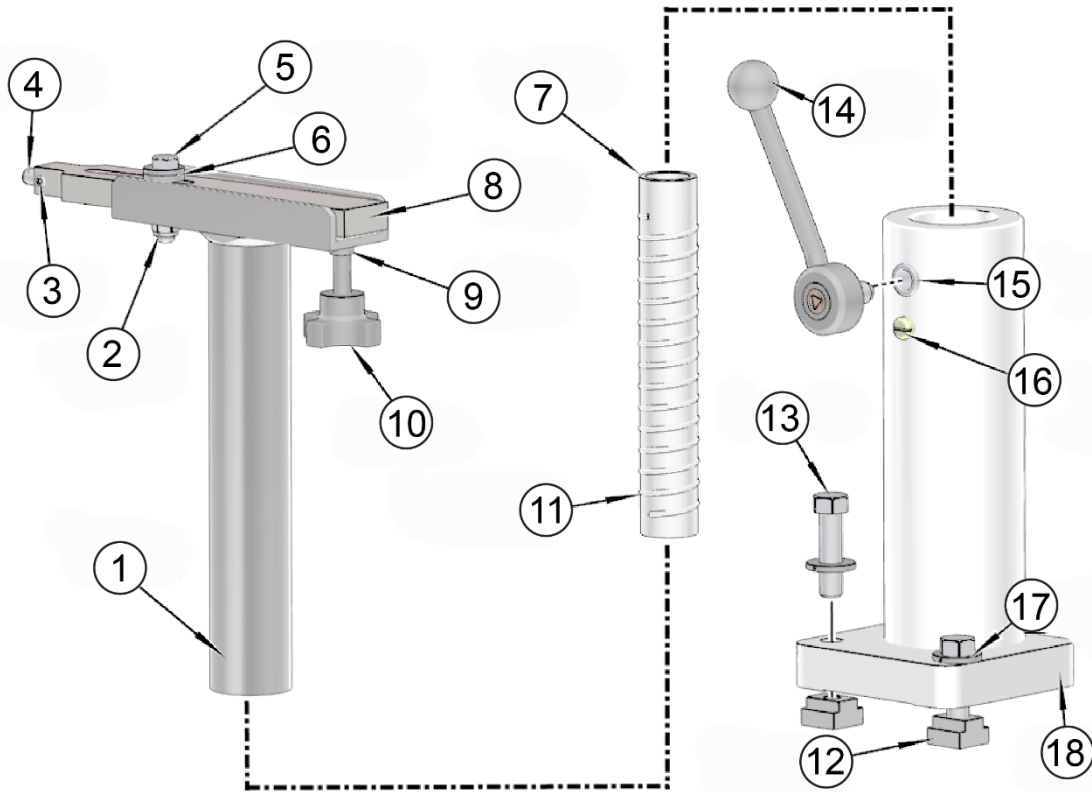


ITEM	QTY	PART NUMBER	DESCRIPTION
1	1	7209W	SCREW, CLAMP BAR
2	16	514-7-21	WASHER, BELLEVILLE
3	1	7209U	WASHER, SPHERICAL – HOLD DOWN
4	1	MF-181	FLAT WASHER, 5/8"
5	1	514-7-20	WASHER, THRUST
6	1	100-28-20C	SPRING, HOLD DOWN
7	1	MF-173	HEX JAM NUT, 5/8-11
8	1	7209S	ROD END, CLAMP BAR
9	1	7210B	PIN, CLEVIS
10	1	7232K	HITCH PIN CLIP



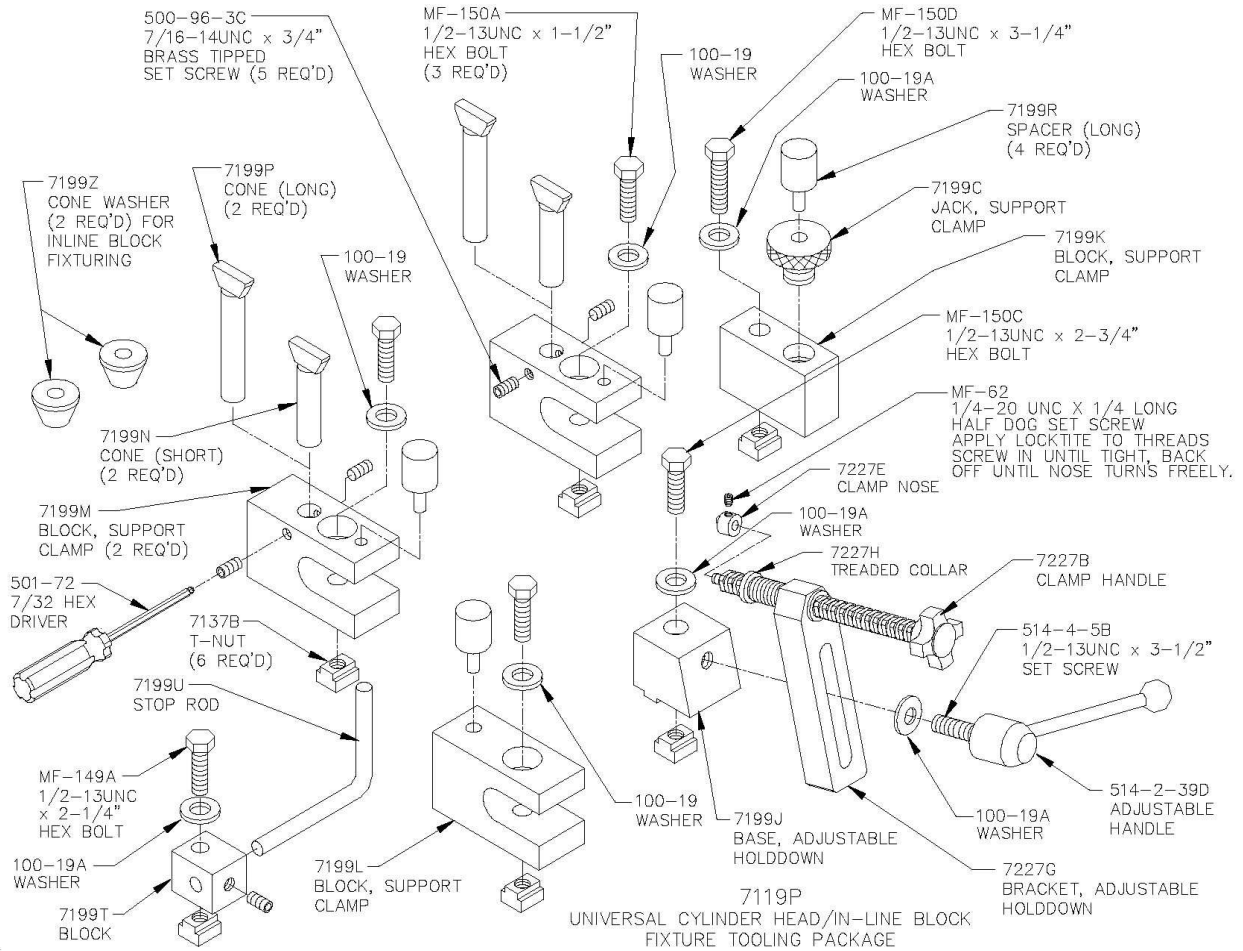
ITEM	QTY	PART NUMBER	DESCRIPTION
1	4	MF-11	ROUND HEAD MACHINE SCREW, #10-24 X 1/2"
2	1	7201C	PIN, GUIDE, ROTTLER LEVELING TABLE
3	1	502-11-16E	CONNECTOR, MALE, 1/4 X 1/8" NPT
4	1	7233	FRAME, TABLE
5	1	514-4-17E	ELBOW, 90 DEGREE MALE - 1/4 X 1/8" NPT
6	1	514-4-17X	TEE, RUNNING 1/8" NPT X 1/4"
7	1	502-1-56	PUSHBUTTON
8	1	514-2-65	VALVE, AIR - LIMIT & STOP
9	2	502-11-17J	NIPPLE, CLOSE 1/8" NPT
10	1	502-11-17C	TEE, 1/8" X 1/8"
11	1	502-1-96A	INSERT, BARBED - HOSE
12	2	502-11-35A	VALVE, CONTROL - RFC FLOW
13	2	502-11-17R	ELBOW, ST, 1/8" NPTF X 1/8" NPTM

7242M Clamp Towers

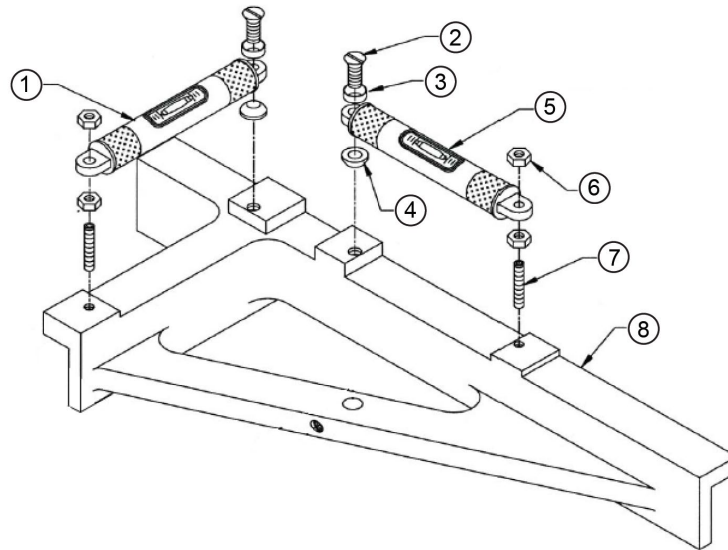


ITEM	QTY	PART NUMBER	DESCRIPTION
1	1	7242F	LEG, CLAMP TOWER
2	1	M-187B	NYLOCK NUTS, 3/8-16
3	1	MF-60	SOCKET SET SCREW, CUP POINT, 1/4-20 X 1/4"
4	1	MF-212	DOWEL PIN, 3/8" X 1"
5	1	MF-145	H.H.C.S. 3/8-16 X 1 3/4"
6	1	7242K	SPHERICAL WASHER
7	1	7242L	SPACER, TUBE - CLAMP
8	1	7242E	SHOE, CLAMP
9	1	7242J	THREAD INSERT
10	1	7242H	HAND KNOB
11	1	650-3-49M	SPRING
12	2	650-3-10	T-NUT, 1/2-13
13	2	MF-149C	H.H.C.S. 1/2-13 X 2"
14	1	6310N	HANDLE ASSEMBLY
15	1	6310R	INSERT, THREAD
16	1	502-8-52C	PLUNGER, SPRING
17	2	100-19A	WASHER, HARDENED, 17/32" I.D.
18	1	7242	CLAMP TOWER BASE

7119P Tooling Package, Universal Work Holding System



7152A Dual Axis Level

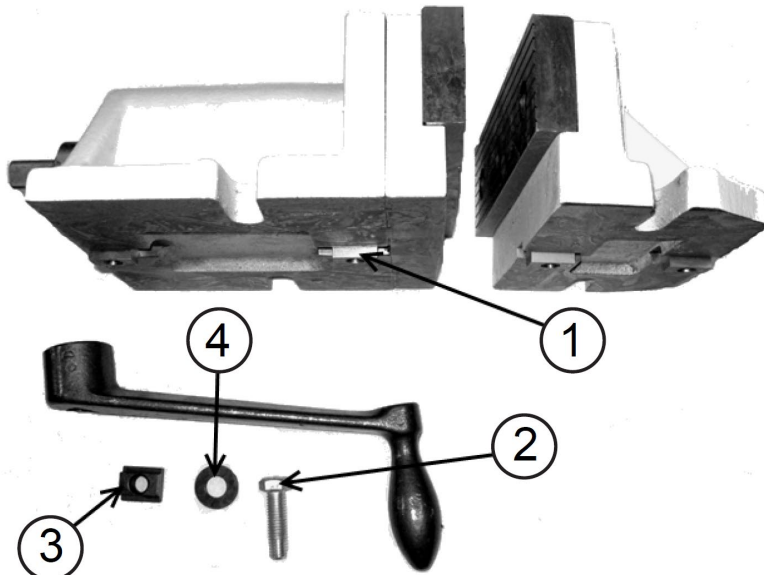


ITEM	QTY	PART NUMBER	DESCRIPTION
1	1	7152	VIAL ONLY, LEVEL SF
2	2	7153G	SCREW, FLAT HEAD, #12-24, SURFACING LEVEL
3	2	7153Z	WASHER, LEVEL MOUNTING (COUNTERSUNK HEAD)
4	2	7153V	WASHER, LEVEL MOUNTING (RADIUS HEAD)
5	1	7152C	COMPLETED VIAL, LONGITUDINAL SF LEVEL ASS'Y
6	4	7153H	NUT, #12-24, HEAD SURFACING LEVEL
7	2	7153J	SCREW, SOCKET SET #12-24 X 1" SURFACING LEVEL
8	1	7153S	BASE, HEAD SURFACE LEVEL

201 Mitutoyo Surface Tester

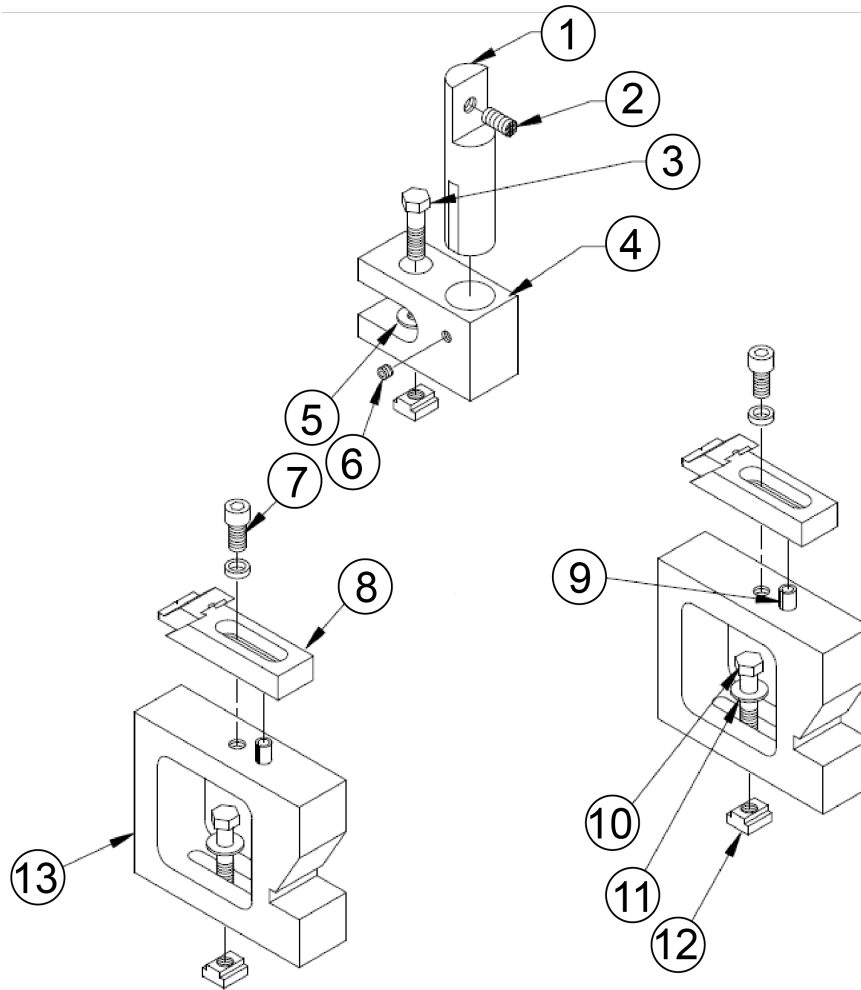


7209N 2-Piece Vise



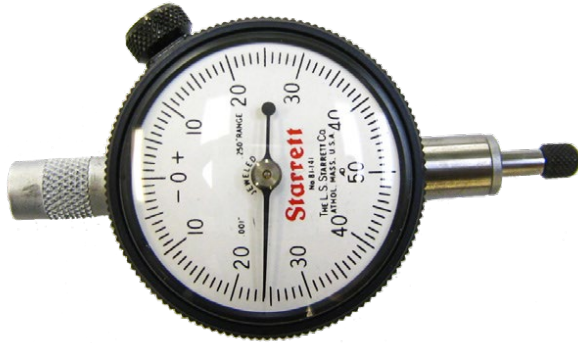
ITEM	QTY	PART NUMBER	DESCRIPTION
1	1	7210E	KEY, STEPPED
2	1	MF-137F	HEX BOLT, 1/2-13 X 1 3/4"
3	1	7137B	NUT, "T"
4	1	100-19A	WASHER, HARDENED 17/32" I.D.

7226G Exhaust/Intake Manifold Surfacing Fixture



ITEM	QTY	PART NUMBER	DESCRIPTION
1	1	7226F	PIN, SUPPORT
2	1	7226M	GRIPPER
3	1	MF-150A	H.H.C.S. 1/2-13 X 1 1/2"
4	1	7226D	BRACKET, PIN SUPPORT
5	1	100-19	WASHER, THRUST
6	1	MF-71A	SOCKET SET SCREW, CUP POINT, 3/8-16 X 1/2"
7	2	MF-42	S.H.C.S. 1/2-13 X 1"
8	2	7226H	CLAMP, TOE AND WASHER
9	2	7226J	PIN, GUIDE - TOE CLAMP
10	2	MF-149B	H.H.C.S. 1/2-13 X 1 3/4"
11	2	100-19A	WASHER, HARDENED 17/32" ID
12	2	7137B	T-NUT - LEVELING BRACKET
13	2	7226L	BRACKET, SUPPORT

7038Y Flatness Probe Dial Indicator



650-3-38 Machinist Level

