



THE CUTTING EDGE

**P69 SERIES OPTIONAL
EQUIPMENT PARTS MANUAL**



ORDERING PROCEDURE

Contact your regional Rottler sales rep for assistance in ordering optional equipment, replacement parts, or tooling.

If you are unable to contact your regional Rottler sales rep, call the factory at 253-872-7050 and ask to speak to the parts sales specialists.

Have the following information handy to expedite the ordering process:

1. Your name, business name, and contact number
2. Customer number
3. If you don't have a customer number, your billing address
4. Shipping address if different from billing address
5. Machine model and serial number
6. Part number and description of what you want to order
7. Preferred method of shipment

You may also contact us via e-mail with the above information. Send e-mail requests to: parts@rottlermfg.com

In some cases you may be requested to send a photo of the part you are ordering if it is a replacement part, or doesn't appear in the database.

If you are unsure which part you need to order, contact our service department and ask to speak to one of our service consultants. They will assist you in determining which part you require.

THERE IS A MINIMUM ORDER OF \$25.00

P69AHD OPTIONAL EQUIPMENT PARTS MANUAL

Contents

Fixturing 1

5518U Automatic Tool Changer Left Handed Parts..... 1

5519E Tool Changer Right Hand Parts 3

Cylinder Head Fixture Assembly Parts 5

PPIX-SBC Porting Fixture Parts 5

PPIX-BBC Porting Fixture Parts 6

PPIX-SBF Porting Fixture Parts..... 7

PPIX-BBF Porting Fixture Parts 8

PPIX-LS1 Porting Fixture Parts 9

PPIX-PRO1 Porting Fixture Parts 10

PPIX-PRO2 Porting Fixture Parts 11

PPIX-BUICK Porting Fixture Parts 12

PPIX-SBM Porting Fixture Parts..... 13

PPIX-BBM Porting Fixture Parts..... 14

PPIX-PONT Porting Fixture Parts..... 15

PPIX-FORD1 Porting Fixture Parts..... 16

PPIX-FORD2 Porting Fixture Parts..... 17

PPIX-HEMI Porting Fixture Parts..... 18

PPIX-ASTON Porting Fixture Parts 19

PPIX-CYCLE Porting Fixture Parts..... 20

PPIX-CYCLE1 Porting Fixture Parts..... 21

PPIX-CYCLE2 Porting Fixture Parts..... 22

PPIX-CYCLE3 Porting Fixture Parts..... 23

PPIX-DSL1 Porting Fixture Parts..... 24

PPIX-DSL2 Porting Fixture Parts..... 25

5517B Universal Unfinished Fixture Plate Parts.....	26
5517F Universal T Slot Table Parts.....	27
Universal Quick Leveling Cylinder Head Fixture.....	28
7209M Leveling Table Parts.....	28
Front / Rear Tilt Assembly Parts.....	29
Table Frame Assembly Parts.....	30
Left / Right Tilt Assembly Parts.....	31
Air Float Assembly Parts.....	32
11115 2" (50mm) X 3" (75mm) Parallels.....	33
7152A Dual Axis Level Parts.....	33
Surface Milling Cutterheads for Surfacing Cylinder Head Fire Deck Gasket Surfaces.....	34
650-2-8E Surfacing Cutterhead Parts.....	34
6303B CBN Insert.....	35
6303M PCD Insert.....	35
6303K Coated Carbide Insert.....	35
6303S CBN Insert, Round.....	35
6303U CBN Round Insert.....	35
Porting Tool Holders.....	36
PTH-250-CAT40 1/4" (19.05mm) Diameter CAT40 Taper.....	36
PTH-500-CAT40 1/2" (12.7mm) Diameter CAT40 Taper.....	36
PTH-625-CAT40 5/8" (15.875mm) Diameter CAT40 Taper.....	36
Combustion Chamber Tooling.....	37
EM-250 Ball Nose End Mill.....	37
Porting Tools.....	37
PT500-250-54 Ball Mill.....	37
PT500-250-60 Ball Mill.....	37
PT500-375-60 Ball Mill.....	37
PT625-375-54 Ball Mill.....	37
PT625-375-60 Ball Mill.....	38
PT625-375-64 Ball Mill.....	38

PT625-375-65 Ball Mill 38

PT625-375-70 Ball Mill 38

PT625-375-75 Ball Mill 38

PT625-750-68 Ball Mill 39

Porting Tools for Cast Iron 39

PT500-250-54CI Ball Mill 39

PT500-250-60CI Ball Mill 39

PT500-375-60CI Ball Mill 39

PT625-375-54CI Ball Mill 39

PT625-375-60CI Ball Mill 40

PT625-375-64CI Ball Mill 40

PT625-375-65CI Ball Mill 40

PT625-375-70CI Ball Mill 40

PT625-750-68CI Ball Mill 40

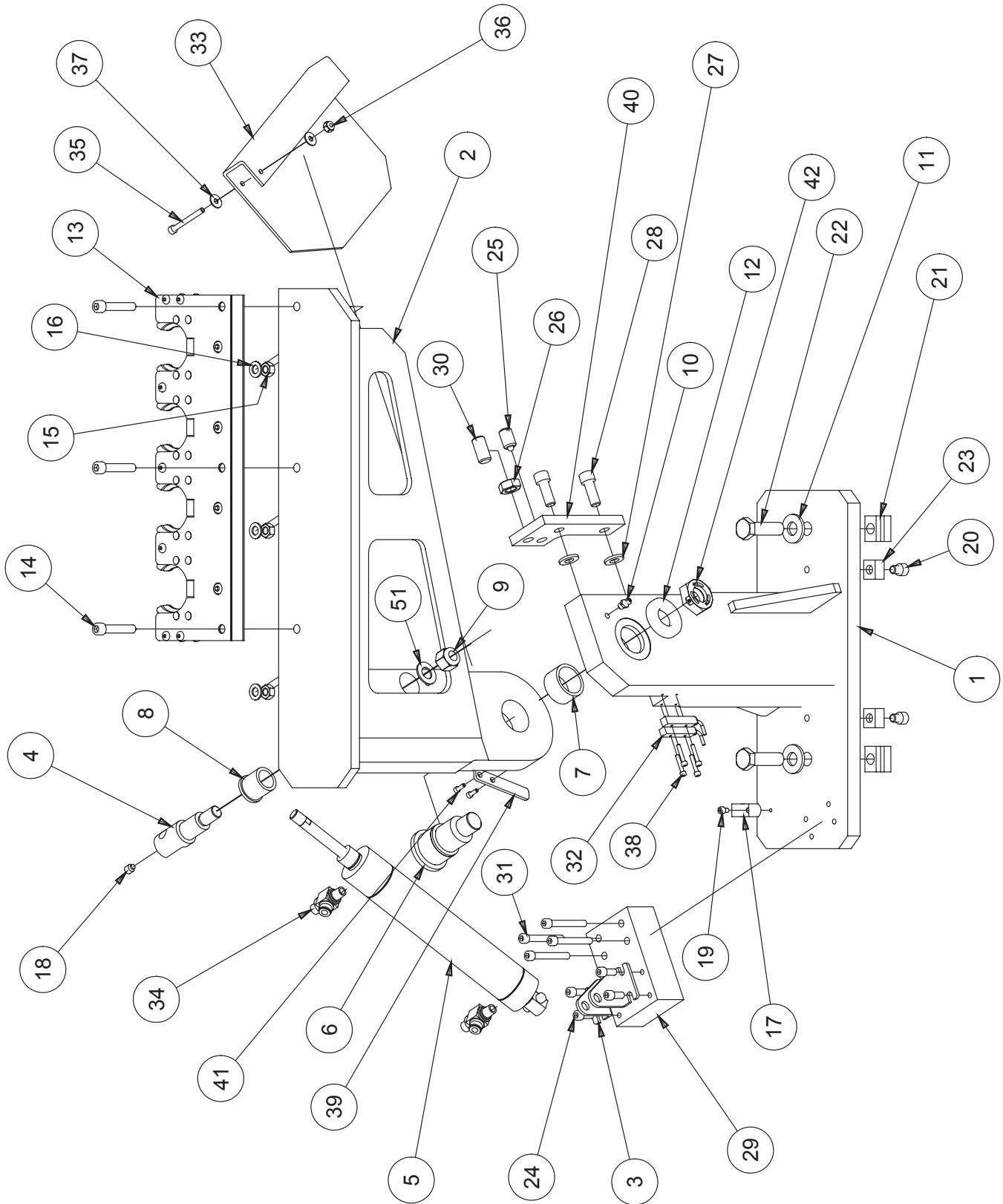
Porting Tools for Ductile Iron 41

PT625-375-65DI 41

PT625-500-65DI 41

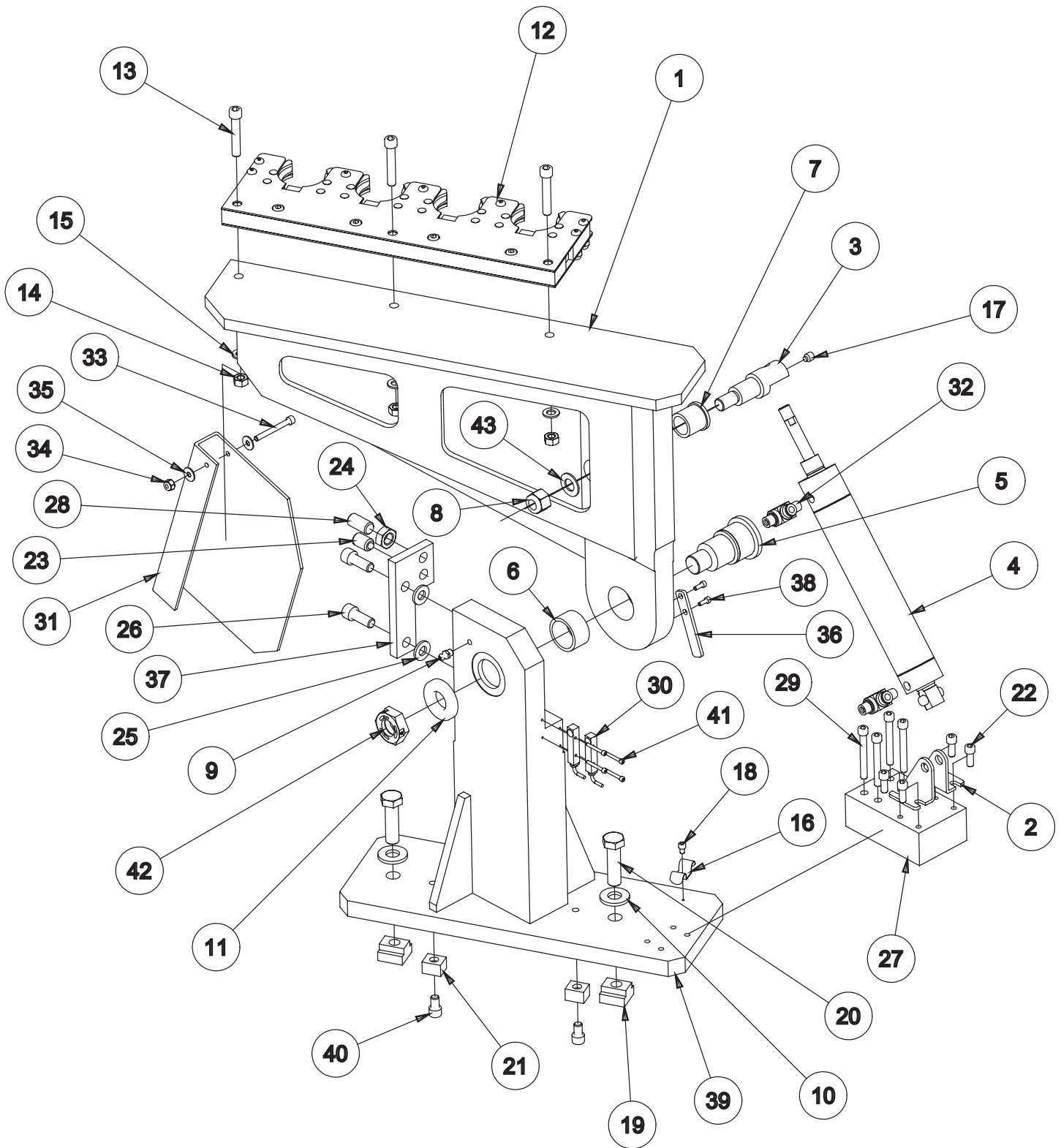
Fixturing

5518U Automatic Tool Changer Left Handed Parts



5518 TOOL CHANGER ASSEMBLY - P69			
ITEM	QTY	PART NUMBER	DESCRIPTION
1	1	5518A	BASE (MACHINING)
2	1	5518C	UPPER ARM (MACHINING)
3	1	5518E	MOUNT, CYLINDER LOWER, TOOL CHANGER P69
4	1	5518F	UPPER CYLINDER MOUNT, TOOL CHANGER - P69
5	1	5518J	BIMBA CYLINDER
6	1	5518K	PIVOT
7	1	5518L	BEARING
8	1	504-35-14D	FLANGED BEARING
9	1	MF-186	1/2-13 Nylock Nut
10	1	MF-189	STRAIGHT GREASE FITTING
11	2	100-19A	Hardened washer 17/32 I.D.
12	1	6287	WASHER, THRUST 3/4"
13	1	5518H	TOOL HOLDER PLATE ASSEMBLY, TOOL CHANGER - P69
14	3	Mf-26	5/16-18UNC x 1-3/4" LG. S.H.C.S.
15	3	MF-164A	5/16-18UNC HEX NUT
16	3	MF-177	5/16 FLAT WASHER
17	1	502-12-15	CLIP, HOSE, DOUBLE
18	1	504-29-36	BRASS TIPPED SET SCREW 5/16-18UNC x 5/16" LG.
19	1	MF-3B	S.H.C.S. 8 - 32 UNC - 1/4
20	2	MF-21B	5/16-18UNC x 3/8" LONG S.H.C.S.
21	2	650-3-10	TN-5 T-Nut
22	2	MF-137F	1/2-13UNC x 1-3/4" LG. HEX BOLT
23	2	650-3-9	Key
24	4	MF-13	S.H.C.S. 1/4 - 20 UNC - 5/8
25	1	502-8-52C	Spring Plunger
26	1	MF-171	1/2-13UNC HEX JAM NUT
27	2	100-28-32	Thrust Washer
28	2	MF-31	S.H.C.S. 3/8 - 16 UNC - 1
29	1	5518N	CYLINDER MOUNT SPACER
30	1	MF-72	Flat Point 1/2-13 UNC x 1
31	4	MF-19	Hexagon Socket Head Cap Screw
32	2	514-2-65C	Proximity Switch
33	1	5518P	DUST COVER
34	2	5518Q	FLOW CONTROL
35	1	MF-7	S.H.C.S. 10 - 24 UNC - 1 3/4
36	1	MF-186B	10-24UNC HEX NYLOCK NUT
37	2	MF-175	#10 FLAT WASHER
38	4	MF-1	Hexagon Socket Head Cap Screw
39	1	5518R	TARGET, PROXIMITY SENSOR, TOOL CHANGER - P69
40	1	5518G	PIVOT STOP PLATE, TOOL CHANGER - P69
41	2	MF-1B	6-32UNC x 3/8" LG. S.H.C.S.
42	1	650-3-46W	HEX LOCK NUT, 3/4-16UNF - P69 TOOL CHANGER
43	1	100-19	Washer

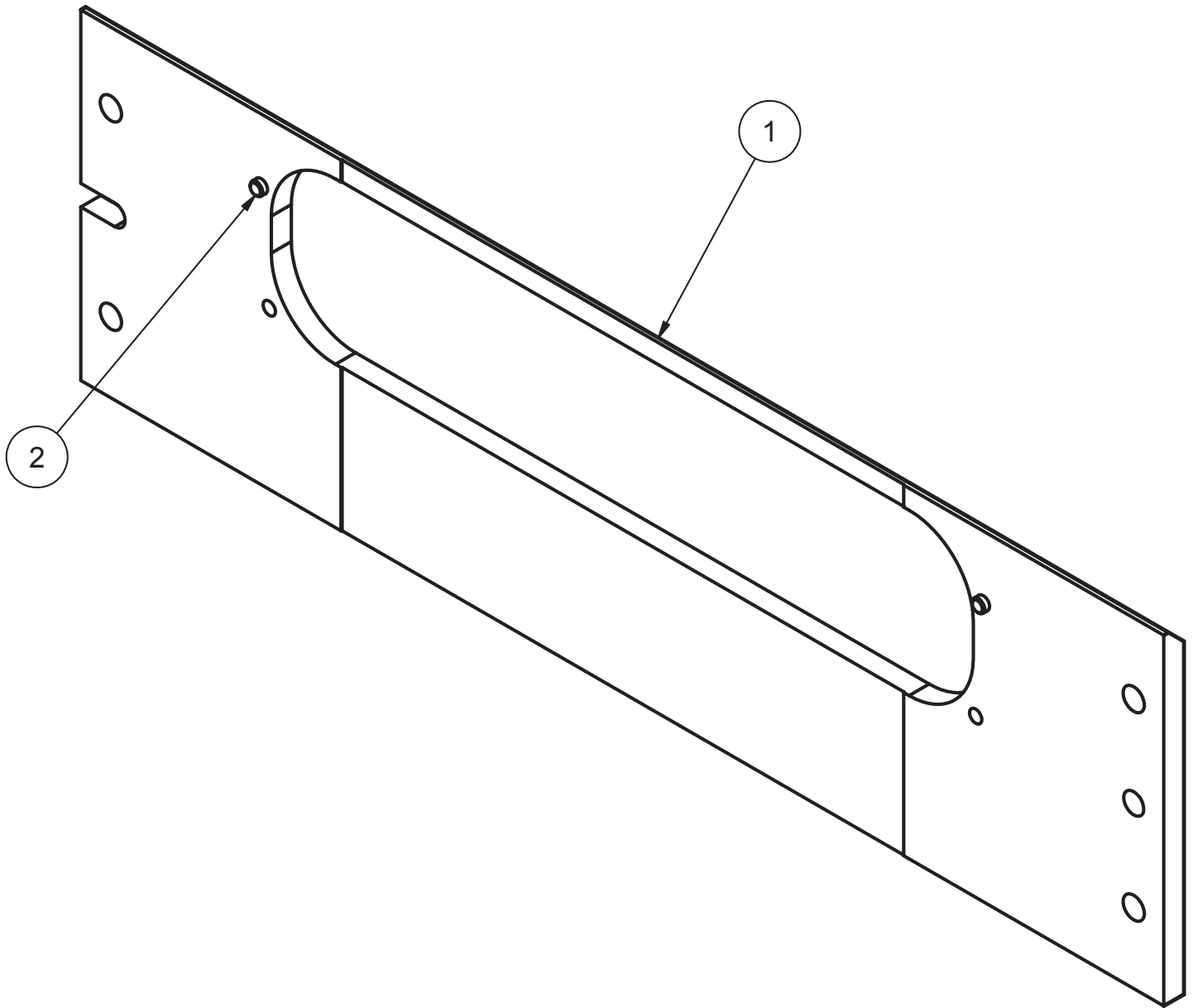
5519E Tool Changer Right Hand Parts



5519 TOOL CHANGER ASSEMBLY, RIGHT HAND - P69			
ITEM	QTY	PART NUMBER	DESCRIPTION
1	1	5519C	UPPER ARM (MACHINING), RIGHT HAND TOOL CHANGER - P69
2	1	5518E	MOUNT, CYLINDER LOWER, TOOL CHANGER P69
3	1	5518F	UPPER CYLINDER MOUNT, TOOL CHANGER - P69
4	1	5518J	BIMBA CYLINDER
5	1	5518K	PIVOT
6	1	5518L	BEARING
7	1	504-35-14D	FLANGED BEARING
8	1	MF-186	1/2-13 Nylock Nut
9	1	MF-189	STRAIGHT GREASE FITTING
10	2	100-19A	Hardened washer 17/32 I.D.
11	1	6287	WASHER, THRUST 3/4"
12	1	5518H	TOOL HOLDER PLATE ASSEMBLY, TOOL CHANGER - P69
13	3	Mf-26	S.H.C.S.5/16 - 18 UNC - 1 3/4
14	3	MF-164	5/16-18UNC HEX NUT
15	3	MF-177	5/16" FLAT WASHER
16	1	502-12-15	CLIP, HOSE, DOUBLE
17	1	504-29-36	BRASS TIPPED SET SCREW 5/16-18UNC x 5/16" LG.
18	1	MF-3B	S.H.C.S. 8 - 32 UNC - 1/4
19	2	650-3-10	TN-5 T-Nut
20	2	MF-137F	1/2-13UNC x 1-3/4" LG. HEX SCREW
21	2	650-3-9	Key
22	4	MF-13	S.H.C.S.1/4 - 20 UNC - 5/8
23	1	502-8-52C	Spring Plunger
24	1	MF-171	1/2-13UNC HEX JAM NUT
25	2	100-28-32	Thrust Washer
26	2	MF-31	3/8-16UNC x 1" LG. S.H.C.S.
27	1	5518N	CYLINDER MOUNT SPACER
28	1	MF-72	Flat Point 1/2-13 UNC x 1
29	4	MF-19	Hexagon Socket Head Cap Screw
30	2	514-2-65C	Proximity Switch
31	1	5518P	DUST COVER
32	2	5518Q	FLOW CONTROL
33	1	MF-7	S.H.C.S. 10 - 24 UNC - 1 3/4
34	1	MF-186B	10-24UNC HEX NYLOCK NUT
35	2	MF-175	#10 FLAT WASHER
36	1	5518R	TARGET, PROXIMITY SENSOR, TOOL CHANGER - P69
37	1	5518G	PIVOT STOP PLATE, TOOL CHANGER - P69
38	2	MF-4	10-24UNC x 3/8" LG. S.H.C.S.
39	1	5519A	BASE (MACHINING), RIGHT HAND TOOL CHANGER - P69
40	2	MF-21A	5/16-18UNC x 1/2" LG. S.H.C.S.
41	4	MF-84B	4-40UNC x 7/8" LG. S.H.C.S.
42	1	650-3-46W	HEX LOCK NUT, 3/4-16UNF - P69 TOOL CHANGER
43	1	100-19	Washer

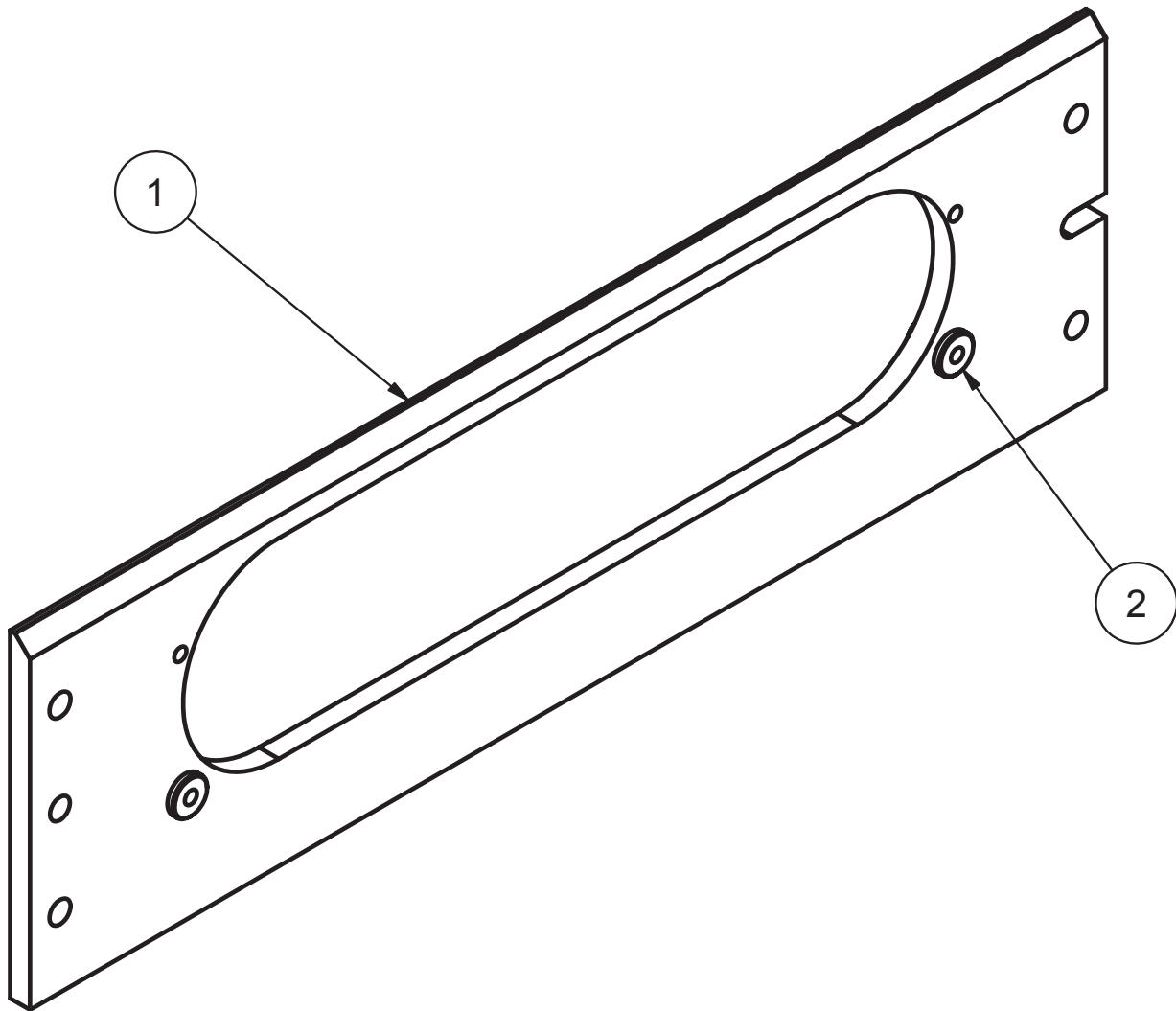
Cylinder Head Fixture Assembly Parts

PFIX-SBC Porting Fixture Parts



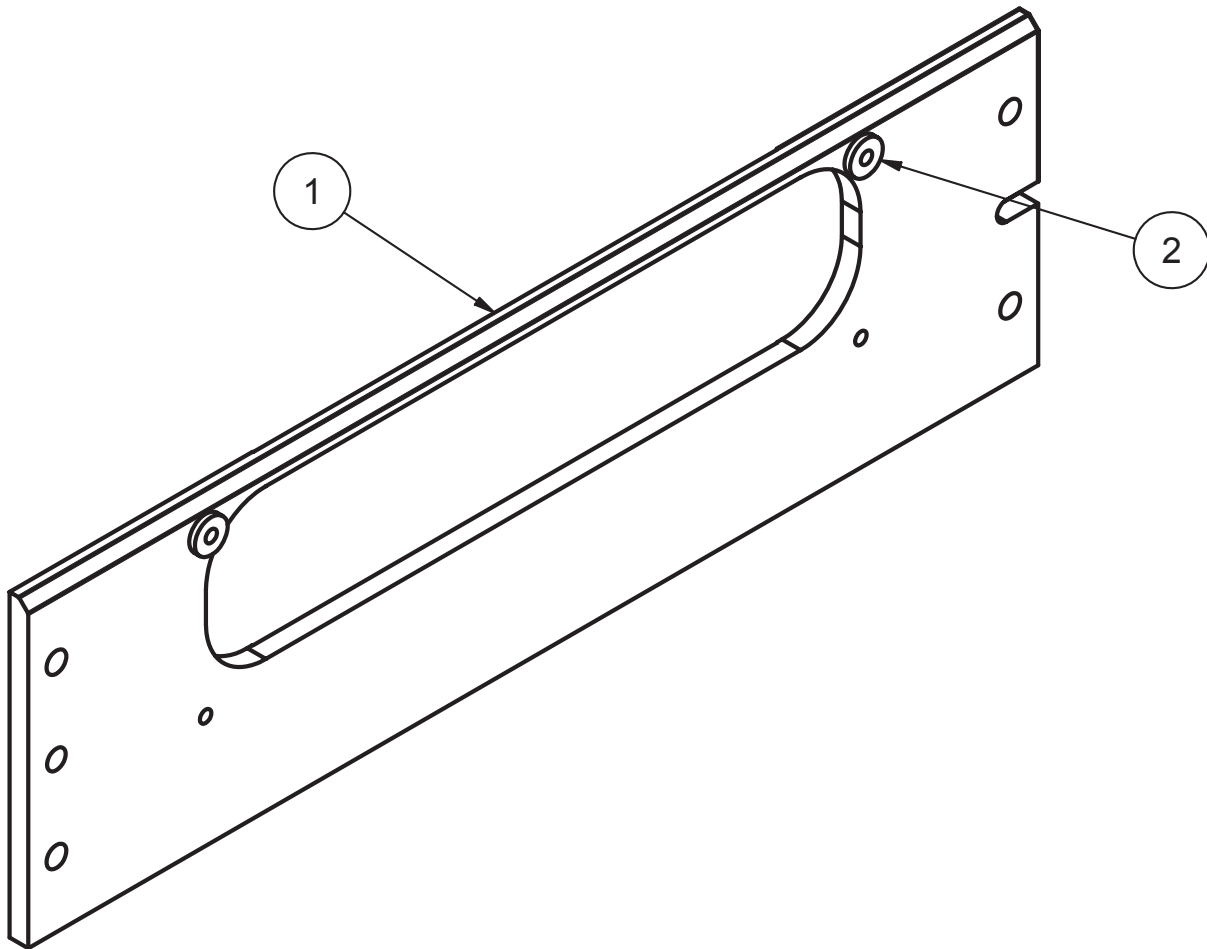
PFX-SBC SMALL BLOCK CHEVROLET FIXTURE ASSEMBLY - P69			
ITEM	QTY	PART NUMBER	DESCRIPTION
1	1	5504G	FIXTURE PLATE (MACHINING) SMALL BLOCK CHEVROLET - P69
2	2	5505C	LOCATING PIN, SMALL BLOCK CHEVROLET HEAD FIXTURE - P69

PFIX-BBC Porting Fixture Parts



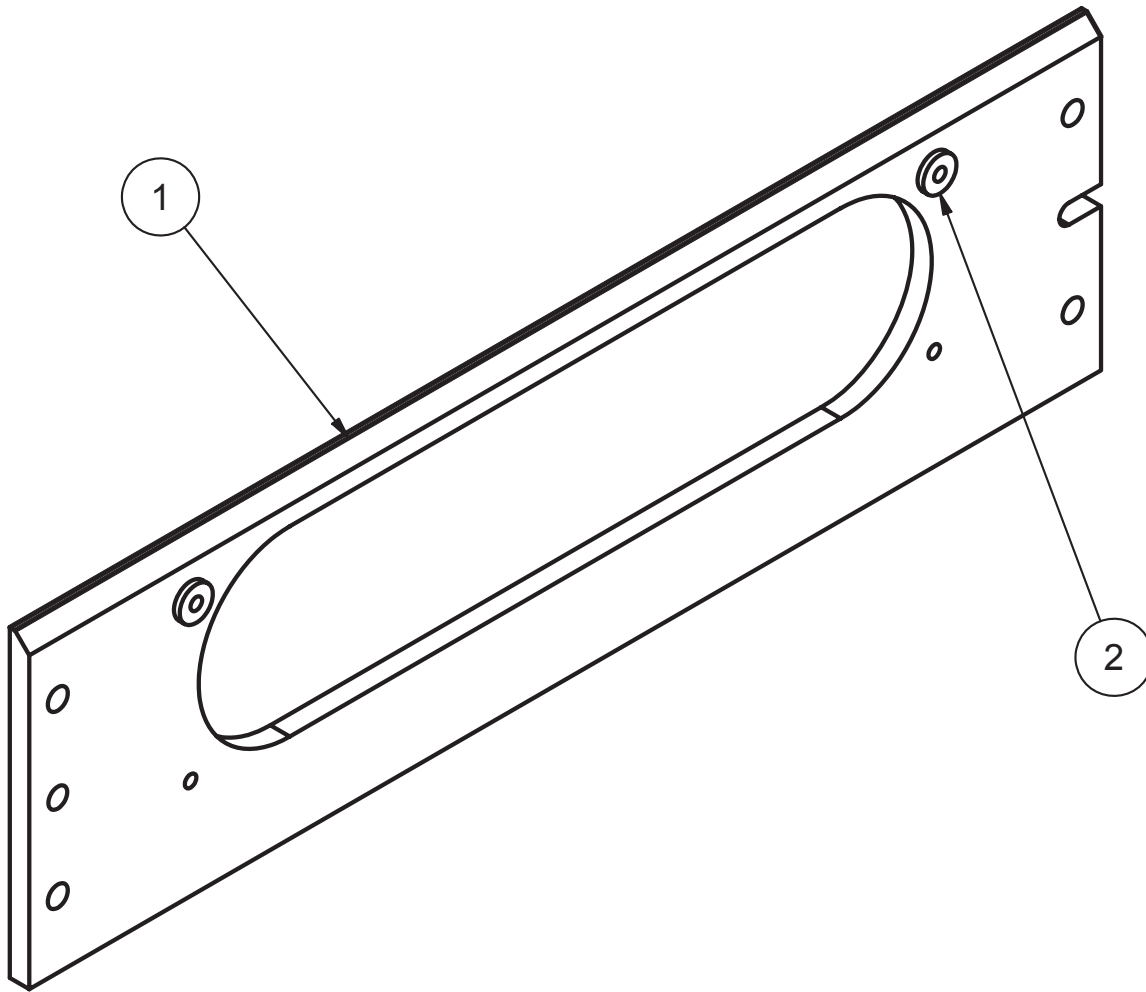
PFIX-BBC CHEVROLET BIG BLOCK FIXTURE ASSEMBLY - P69			
ITEM	QTY	PART NUMBER	DESCRIPTION
1	1	5504	FIXTURE PLATE, CHEVROLET BIG BLOCK - P69
2	2	5505	LOCATING PIN, BB CHEV HEAD FIXTURE P55

PFIX-SBF Porting Fixture Parts



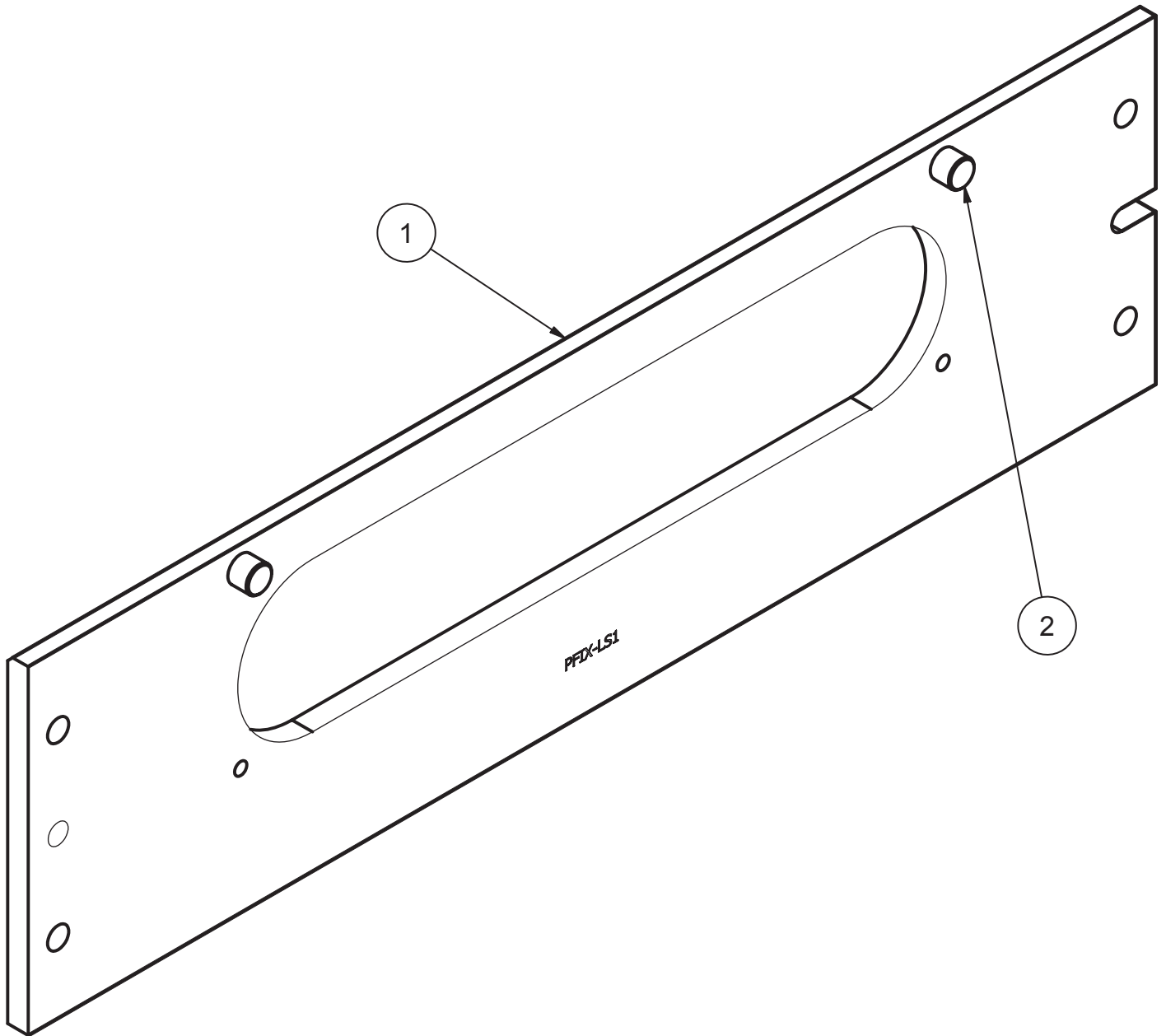
PFX-SBF SMALL BLOCK FORD HEAD FIXTURE ASSEMBLY - P69			
ITEM	QTY	PART NUMBER	DESCRIPTION
1	1	5504N	FIXTURE PLATE (MACHINING) SMALL BLOCK FORD - P69
2	2	5505G	LOCATING PIN, SB FORD HEAD FIXTURE - P69

PFIX-BBF Porting Fixture Parts



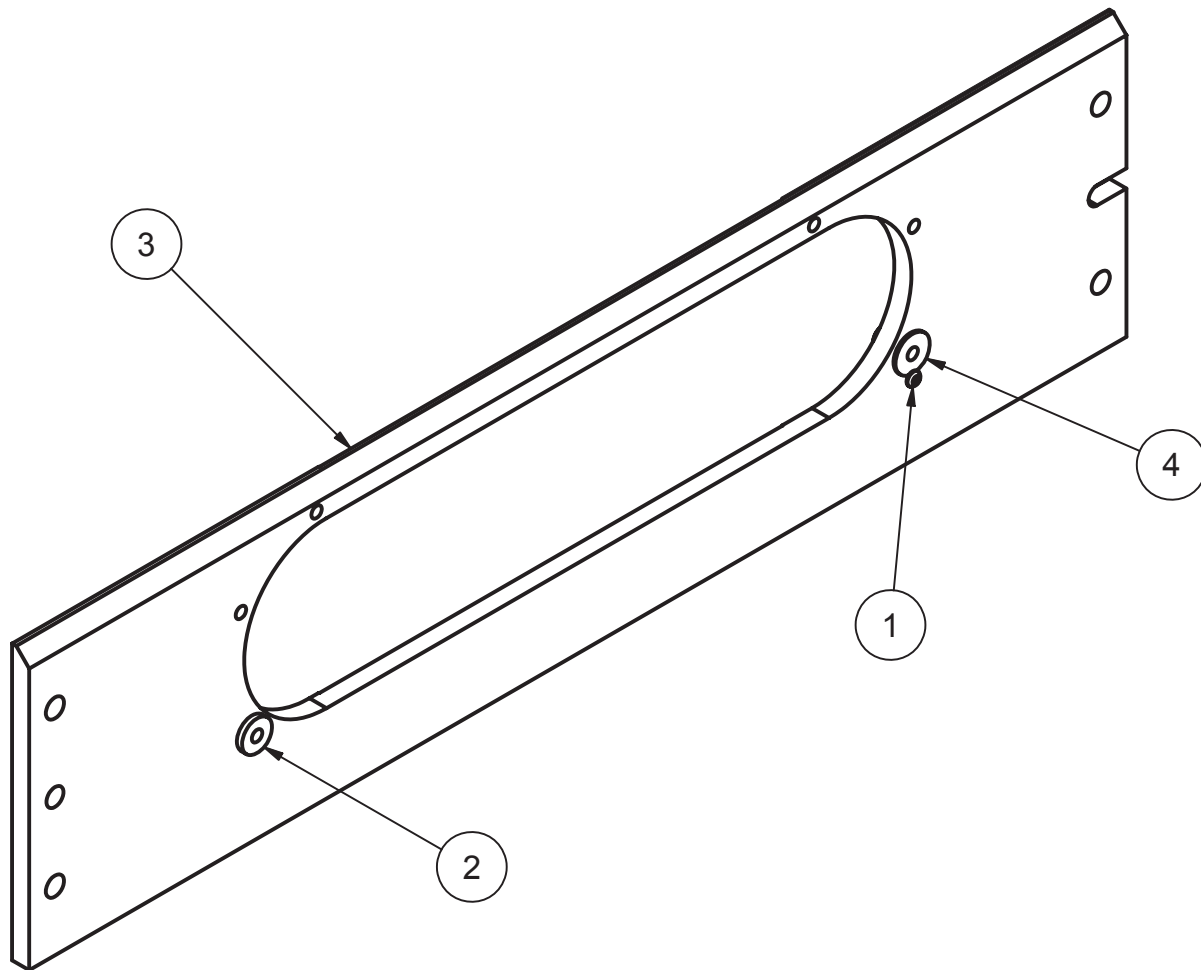
PFIX-BBF FORD BIG BLOCK (429/460) HEAD FIXTURE ASSEMBLY - P69			
ITEM	QTY	PART NUMBER	DESCRIPTION
1	1	5504Q	FIXTURE PLATE, BIG BLOCK FORD (429/460) - P69
2	2	5505J	LOCATING PIN - FORD BIG BLOCK, HEAD FIXTURE - P69

PFIX-LS1 Porting Fixture Parts



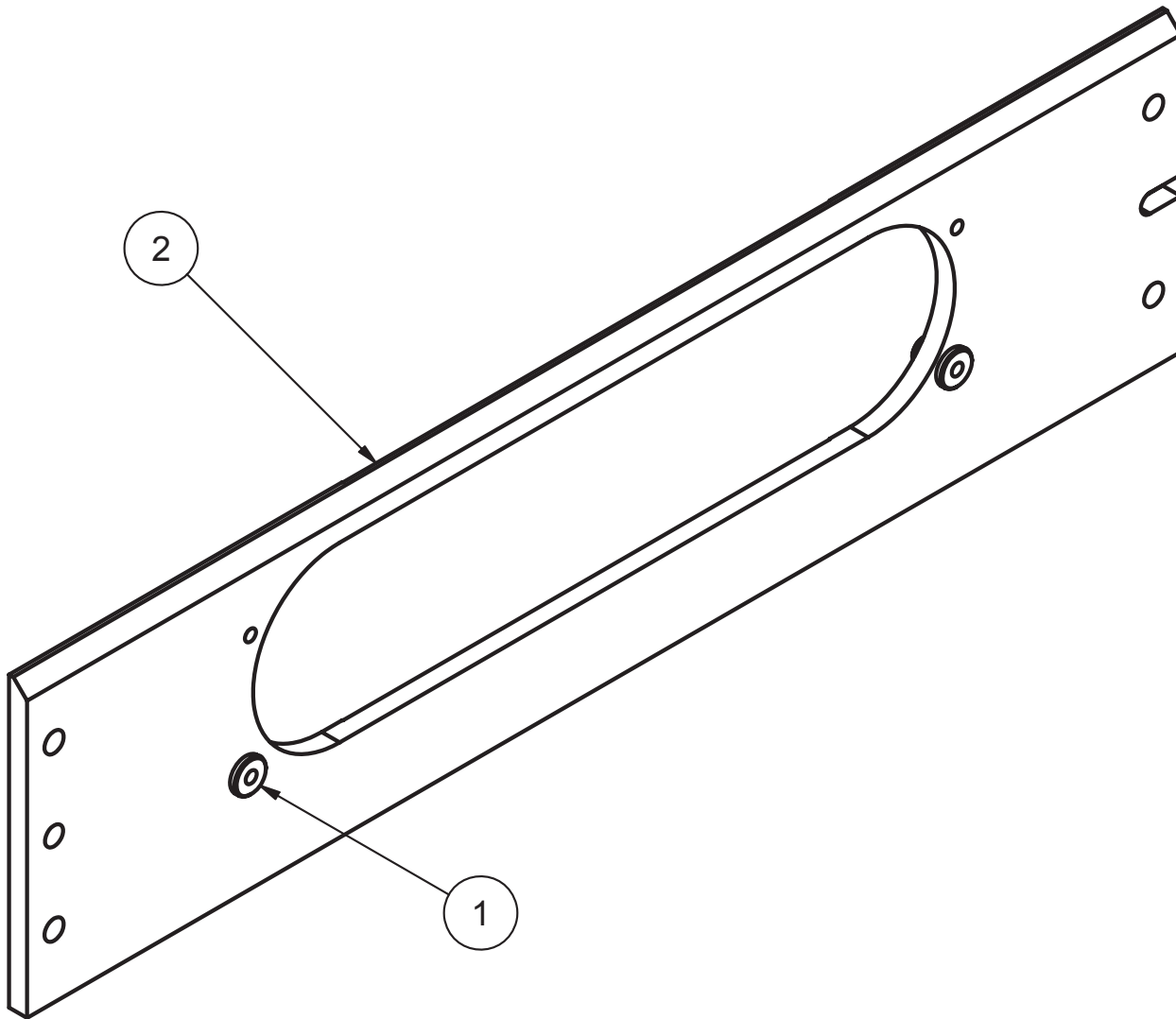
PFIX-LS1 LS1 CHEVROLET FIXTURE ASSEMBLY - P69			
ITEM	QTY	PART NUMBER	DESCRIPTION
1	1	5504J	FIXTURE PLATE, LS1 CHEVROLET HEAD - P69
2	2	5505B	LOCATING PIN, LS1 CHEVROLET HEAD FIXTURE - P69

PFIX-PRO1 Porting Fixture Parts



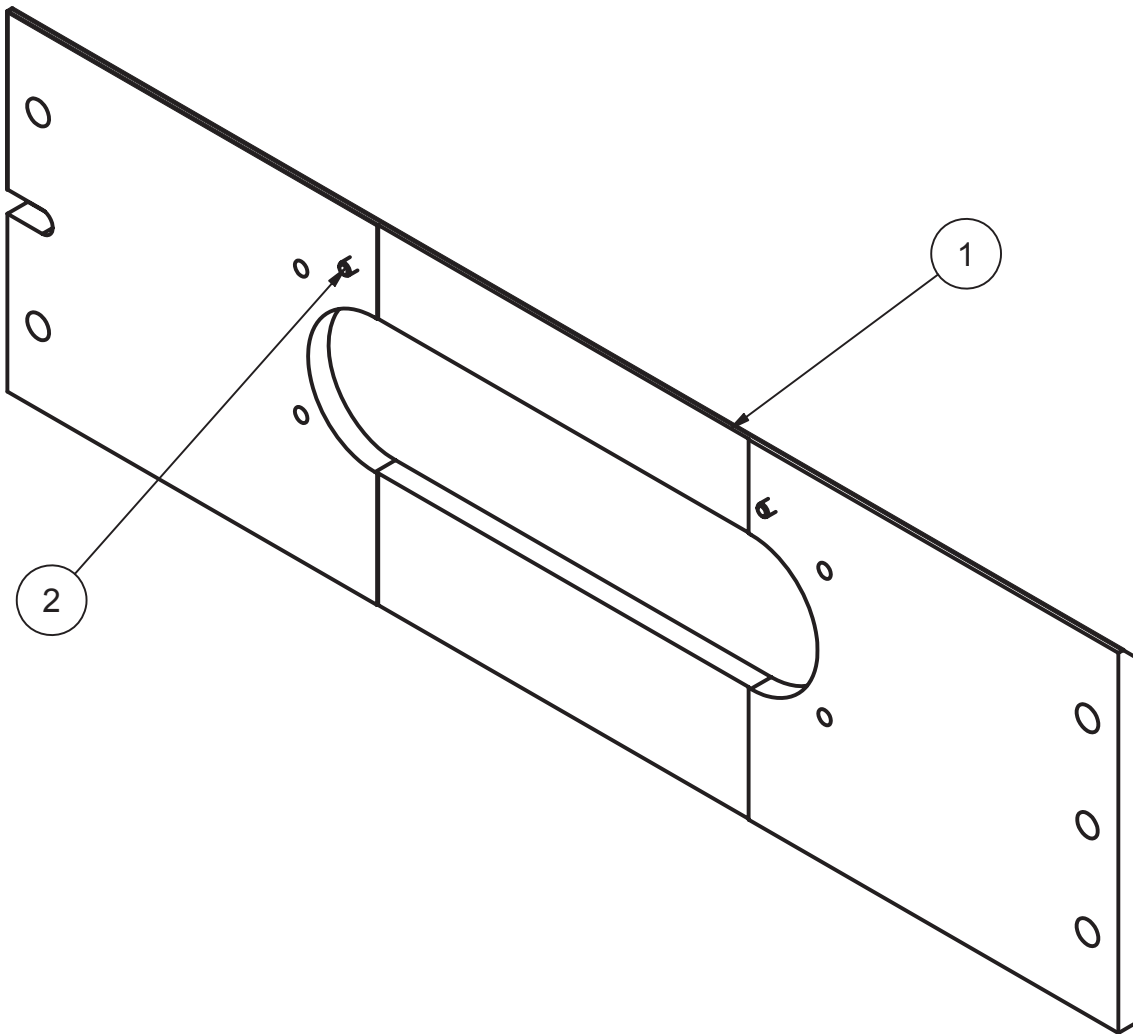
PFIX-PRO1 PRO STOCK BIG BLOCK GM FIXTURE ASSEMBLY - P69			
ITEM	QTY	PART NUMBER	DESCRIPTION
1	1	MF-88A	BUTTON HEAD SCREW 10-24UNC x 5/8" LG.
2	1	5505	LOCATING PIN, BB CHEV HEAD FIXTURE P55
3	1	5504D	FIXTURE PLATE (MACHINING), PRO STOCK BIG BLOCK GM - P69
4	1	5505A	LOCATING PIN (MOVABLE), PRO STOCK BIG BLOCK GM CYLINDER HEAD - P69

PFIX-PRO2 Porting Fixture Parts



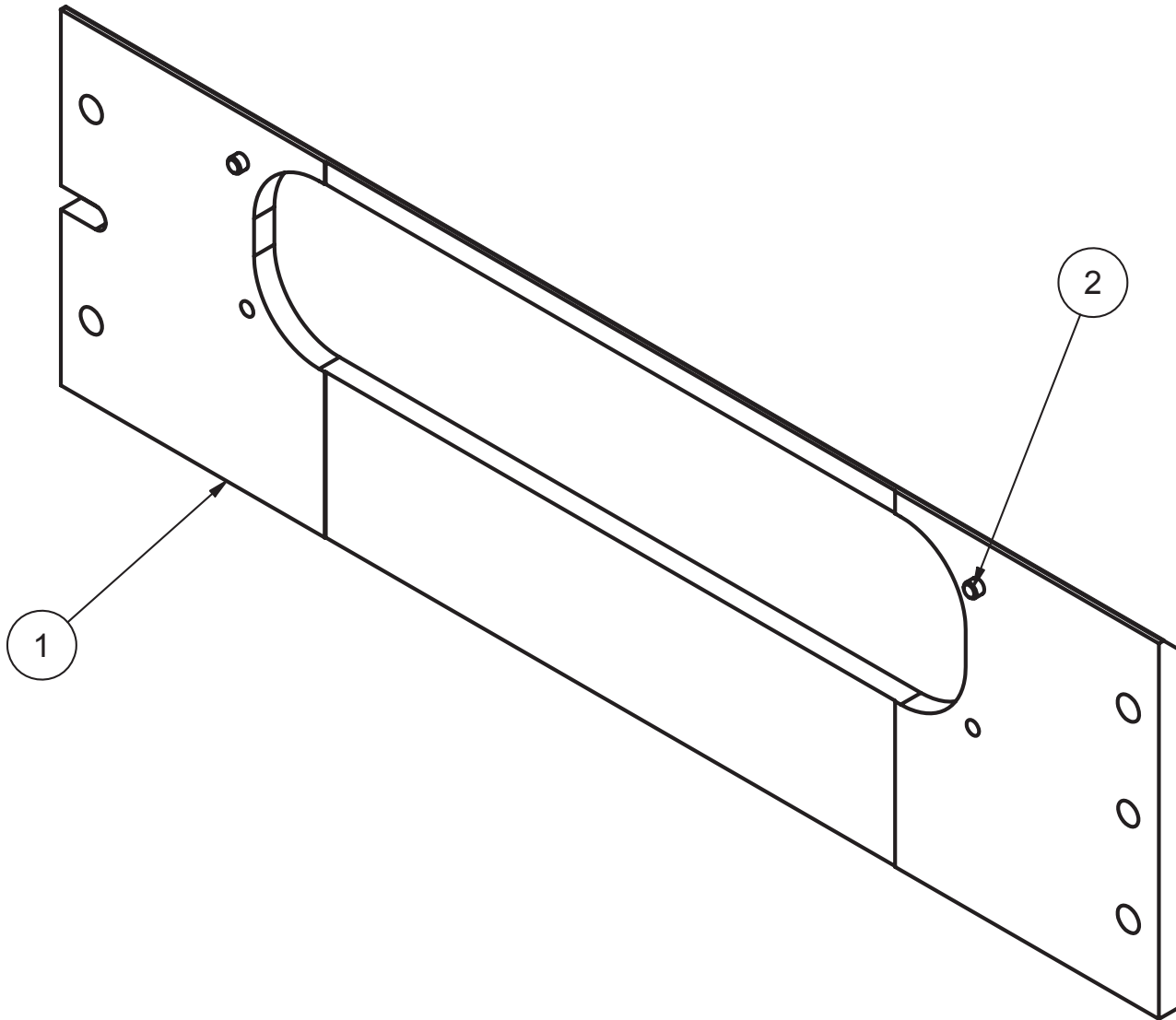
PFX-PRO2		PRO STOCK OLDSMOBILE DRCE FIXTURE ASSEMBLY - P69	
ITEM	QTY	PART NUMBER	DESCRIPTION
1	2	5505E	LOCATING PIN - OLDSMOBILE DRCE BIG BLOCK HEAD FIXTURE - P69
2	1	5504M	FIXTURE PLATE (MACHINING), PRO STOCK BIG BLOCK GM - P69

PFIX-BUICK Porting Fixture Parts



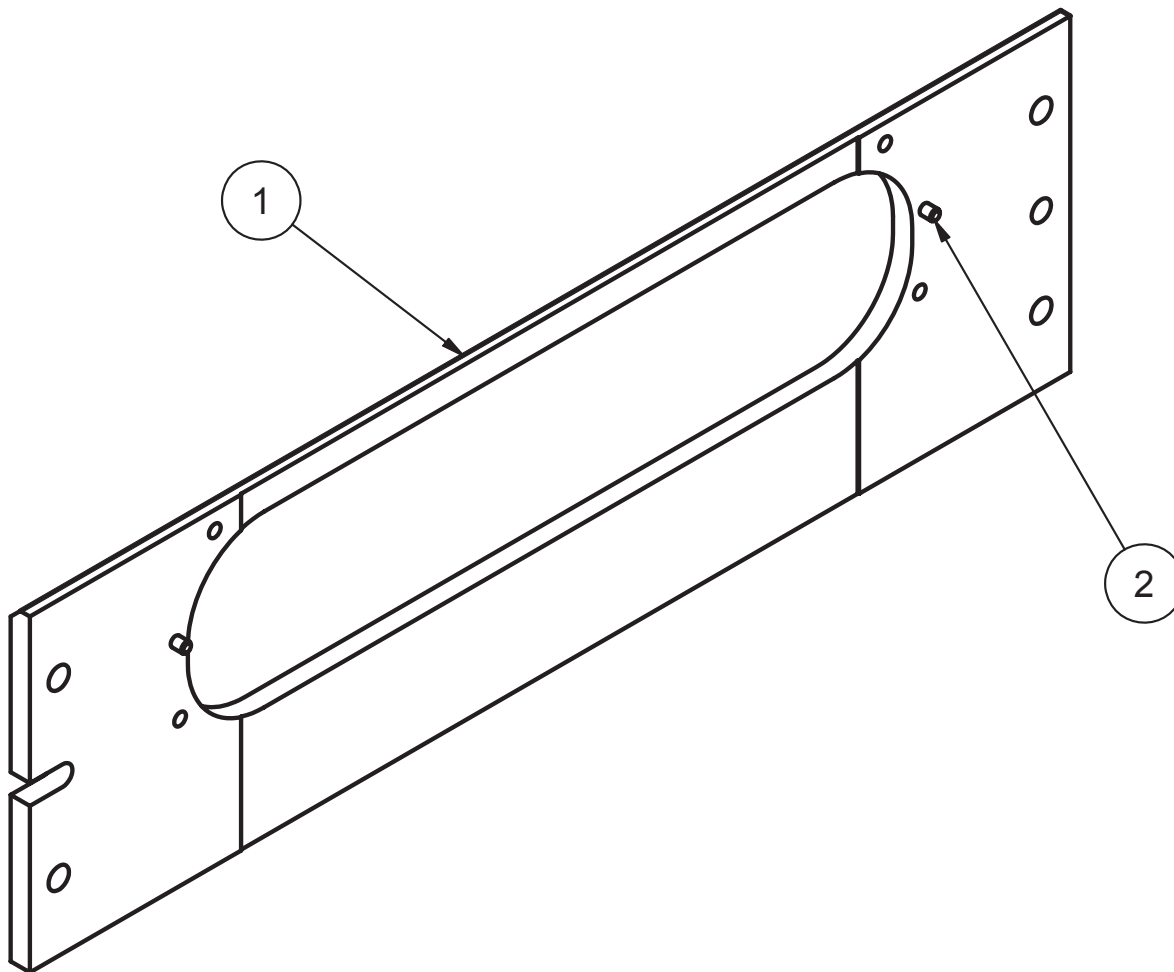
PFX-BUICK BUICK V6 HEAD FIXTURE ASSEMBLY - P69			
ITEM	QTY	PART NUMBER	DESCRIPTION
1	1	5504S	FIXTURE PLATE (MACHINING) SMALL BLOCK CHEVROLET - P69
2	2	5505K	LOCATING PIN, BIG BLOCK MOPAR - HEAD FIXTURE - P69

PFIX-SBM Porting Fixture Parts



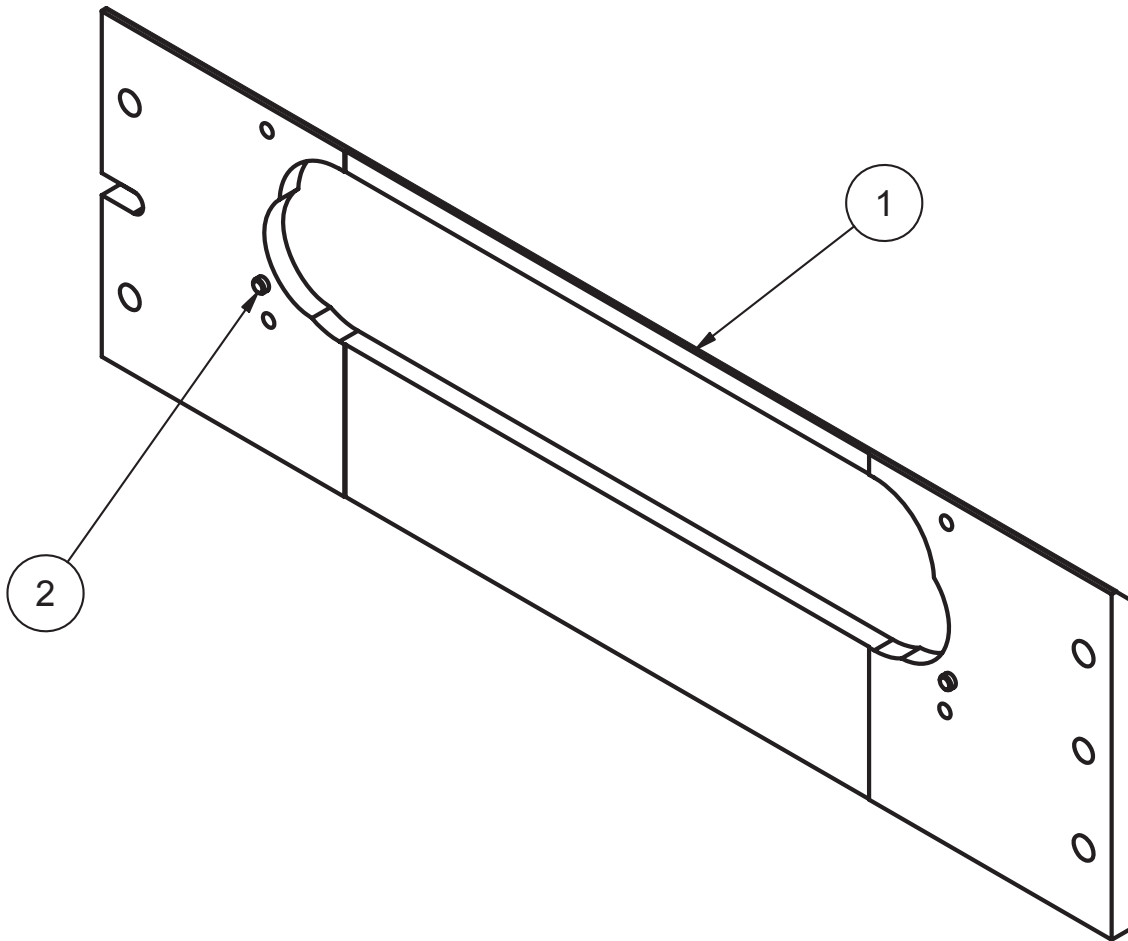
PFIX-SBM SMALL BLOCK MOPAR FIXTURE ASSEMBLY - P69			
ITEM	QTY	PART NUMBER	DESCRIPTION
1	1	5504L	FIXTURE PLATE (MACHINING) SMALL BLOCK MOPAR - P69
2	2	5505D	LOCATING PIN, SMALL BLOCK MOPAR HEAD FIXTURE - P69

PFIX-BBM Porting Fixture Parts



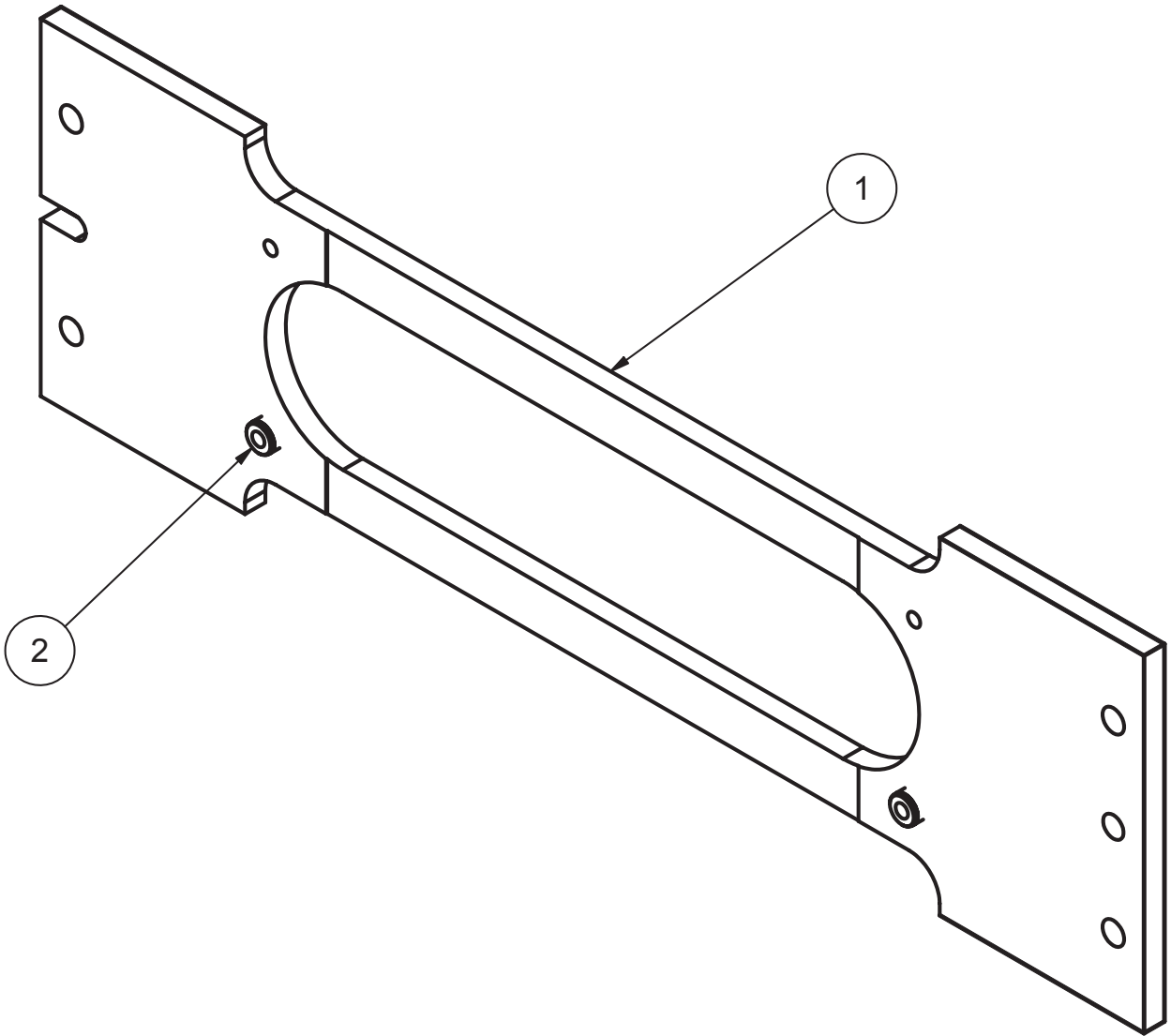
PFIX-BBM BIG BLOCK MOPAR CYLINDER HEAD FIXTURE ASSEMBLY - P69			
ITEM	QTY	PART NUMBER	DESCRIPTION
1	1	5504E	BIG BLOCK MOPAR CYLINDER HEAD FIXTURE - P69
2	2	5505F	LOCATING PIN, BIG BLOCK MOPAR - HEAD FIXTURE - P69

PFIX-PONT Porting Fixture Parts



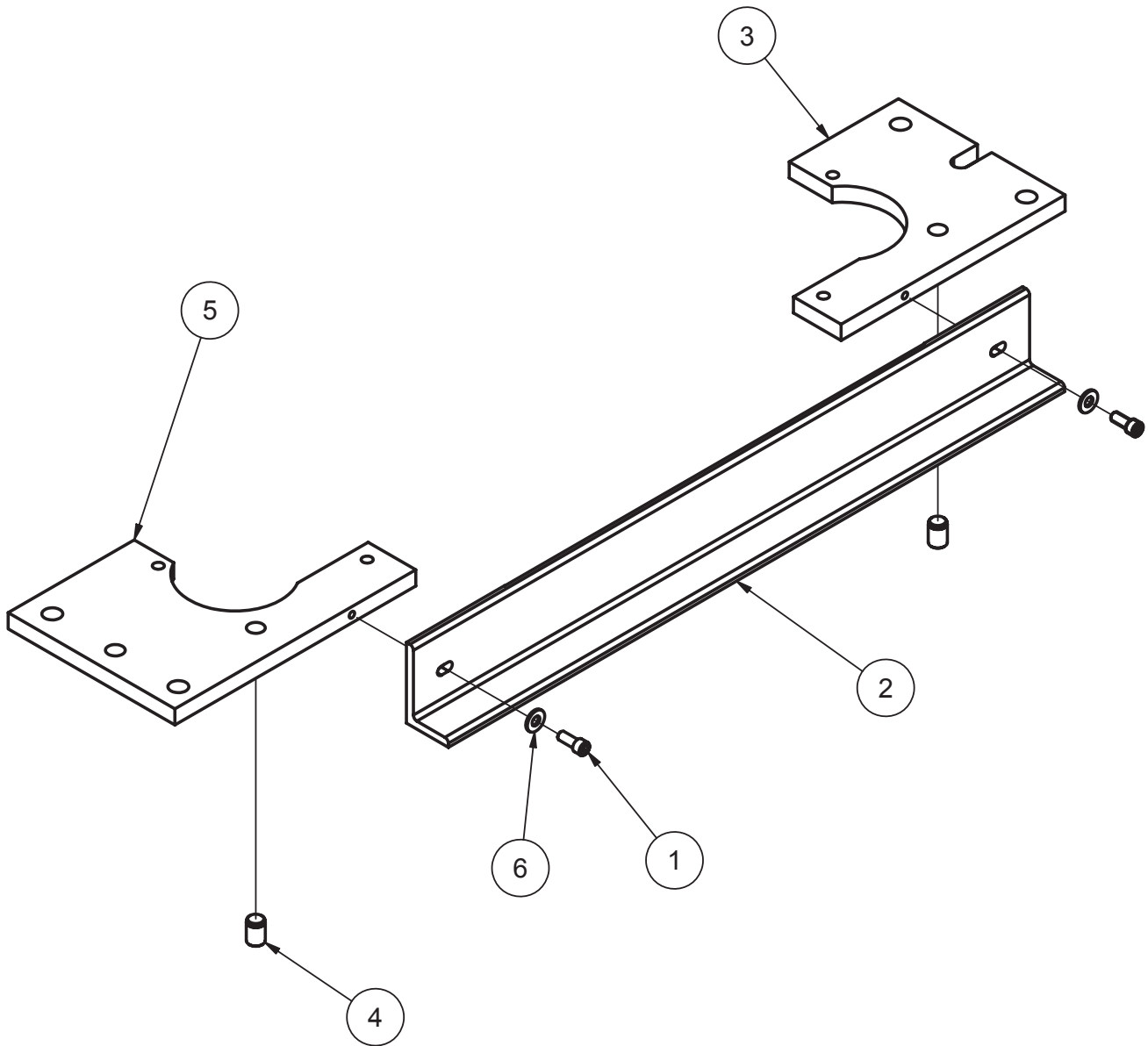
PFX-PONT FIXTURE PLATE ASSEMBLY PONTIAC CYLINDER HEAD - P69			
ITEM	QTY	PART NUMBER	DESCRIPTION
1	1	5504P	FIXTURE PLATE (MACHINING) PONTIAC CYLINDER HEAD - P69
2	2	5505H	LOCATING PIN, PONTIAC CYLINDER HEAD FIXTURE - P69

PFIX-FORD1 Porting Fixture Parts



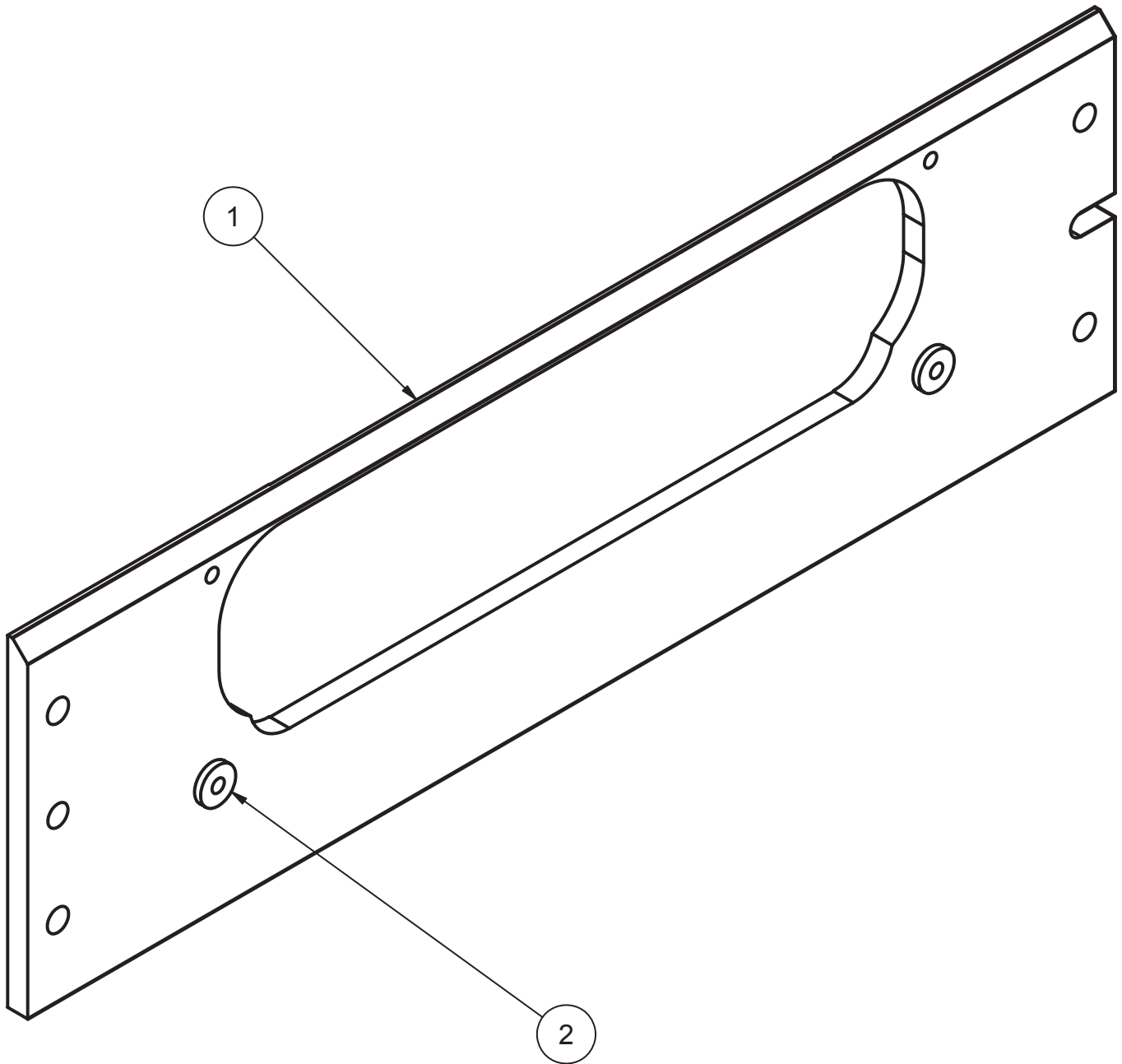
PFX-FORD1 FIXTURE ASSEMBLY - FORD 5.4L - P69			
ITEM	QTY	PART NUMBER	DESCRIPTION
1	1	5504U	FIXTURE PLATE (MACHINING) FORD 5.4L HEAD - P69
2	2	5505L	LOCATING PIN, FORD 5.4L HEAD FIXTURE P69

PFIX-FORD2 Porting Fixture Parts



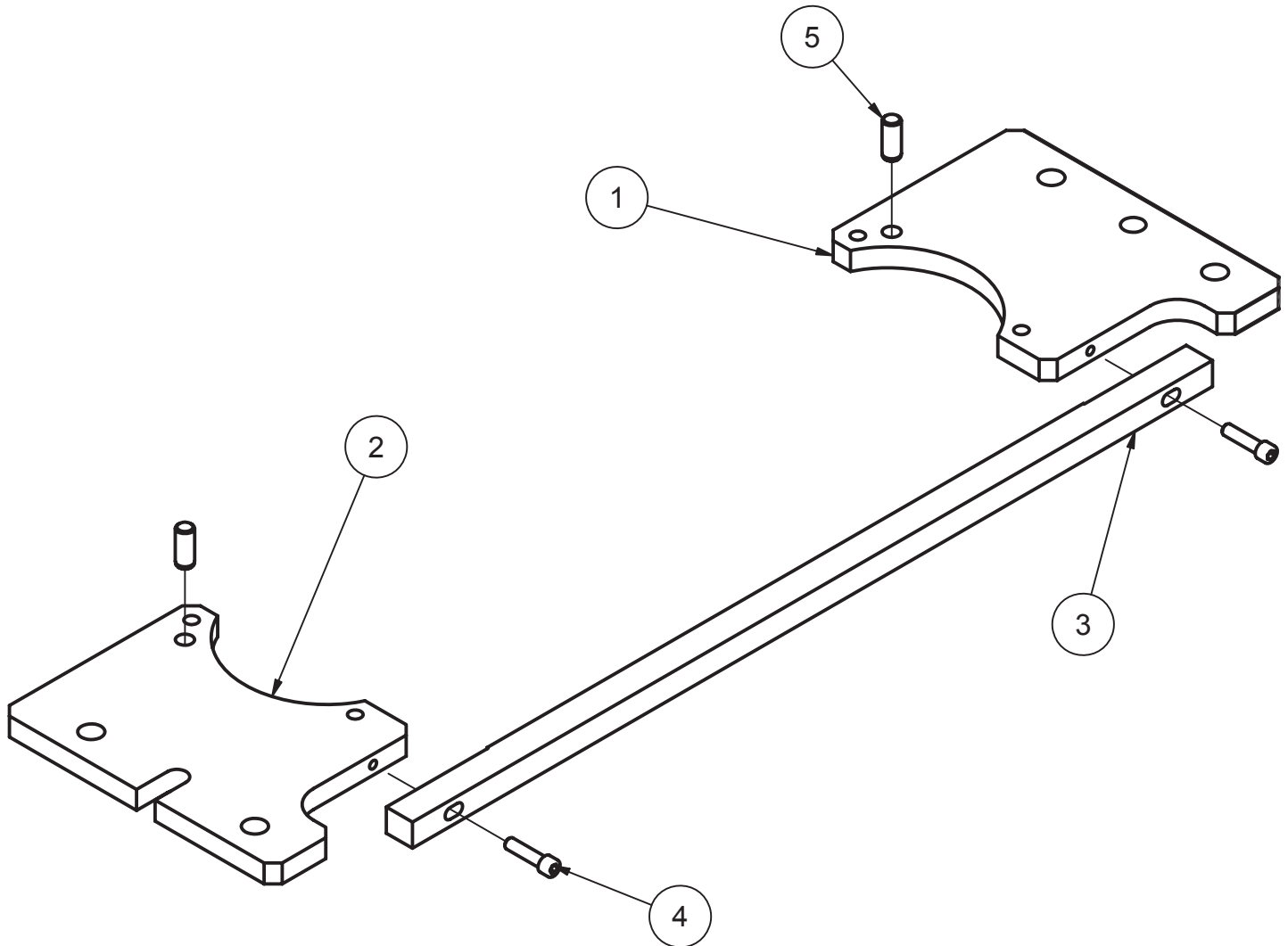
PFIX-FORD2 FORD INLINE 6 (ARGENTINA) FIXTURE ASSEMBLY - P69			
ITEM	QTY	PART NUMBER	DESCRIPTION
1	2	MF-14	1/4-20UNC x 3/4" LG. S.H.C.S.
2	1	5505N	ALIGNMENT BAR
3	1	5504W	FIXTURE PLATE TAIL STOCK END
4	2	5505P	LOCATING PIN, FORD (ARGENTINA) INLINE 6 HEAD FIXTURE
5	1	5504V	FIXTURE PLATE HEAD STOCK END
6	2	MF-176	SAE FLAT WASHER 1/4"

PFIX-HEMI Porting Fixture Parts



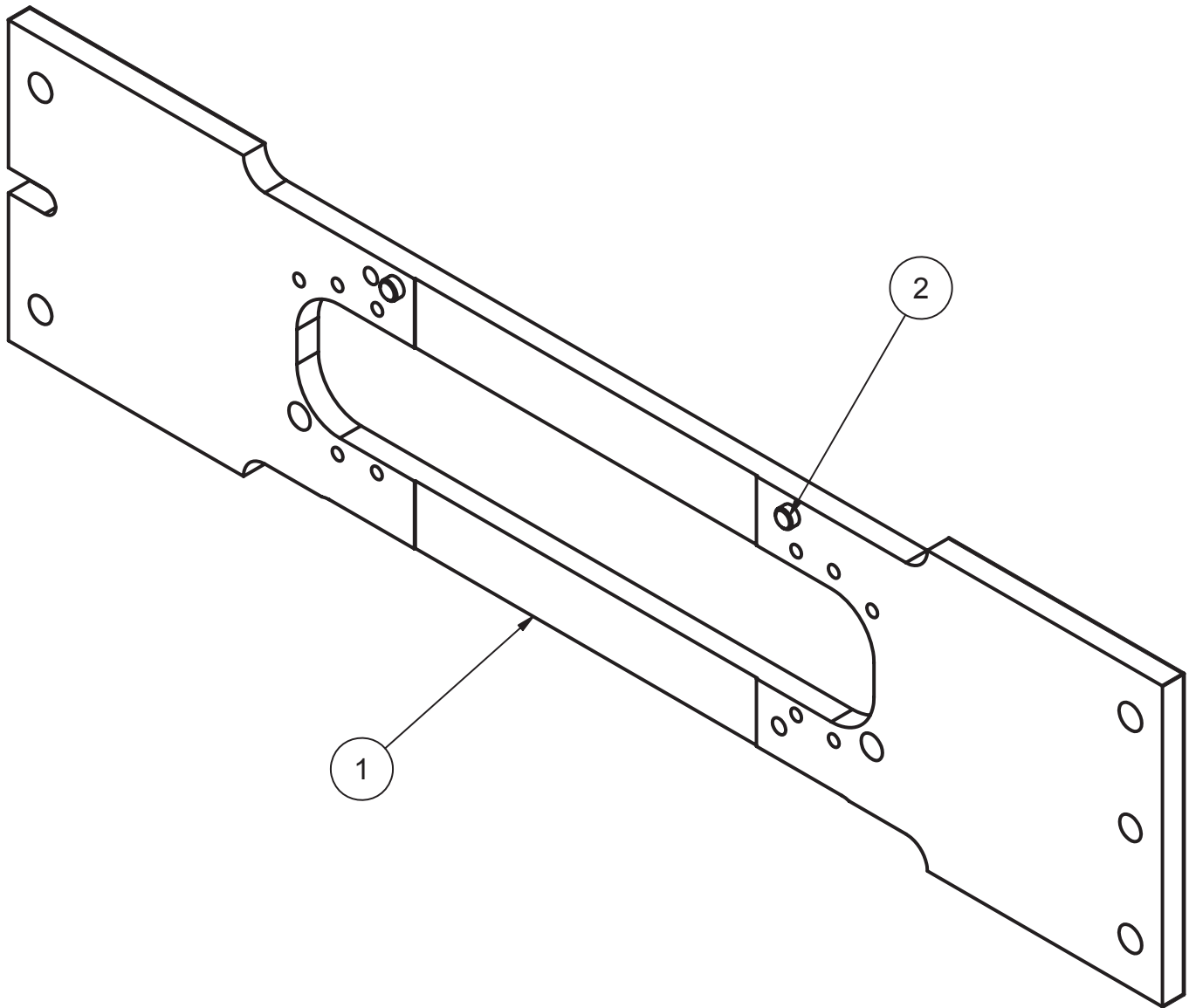
PFIX-HEMI MOPAR 5.7L HEMI FIXTURE ASSEMBLY - P69			
ITEM	QTY	PART NUMBER	DESCRIPTION
1	1	5514F	FIXTURE PLATE (MACHINING) MOPAR 5.7 HEMI - P69
2	2	5505Y	LOCATING PIN, MOPAR 5.7 HEMI HEAD FIXTURE P69

PFIX-ASTON Porting Fixture Parts



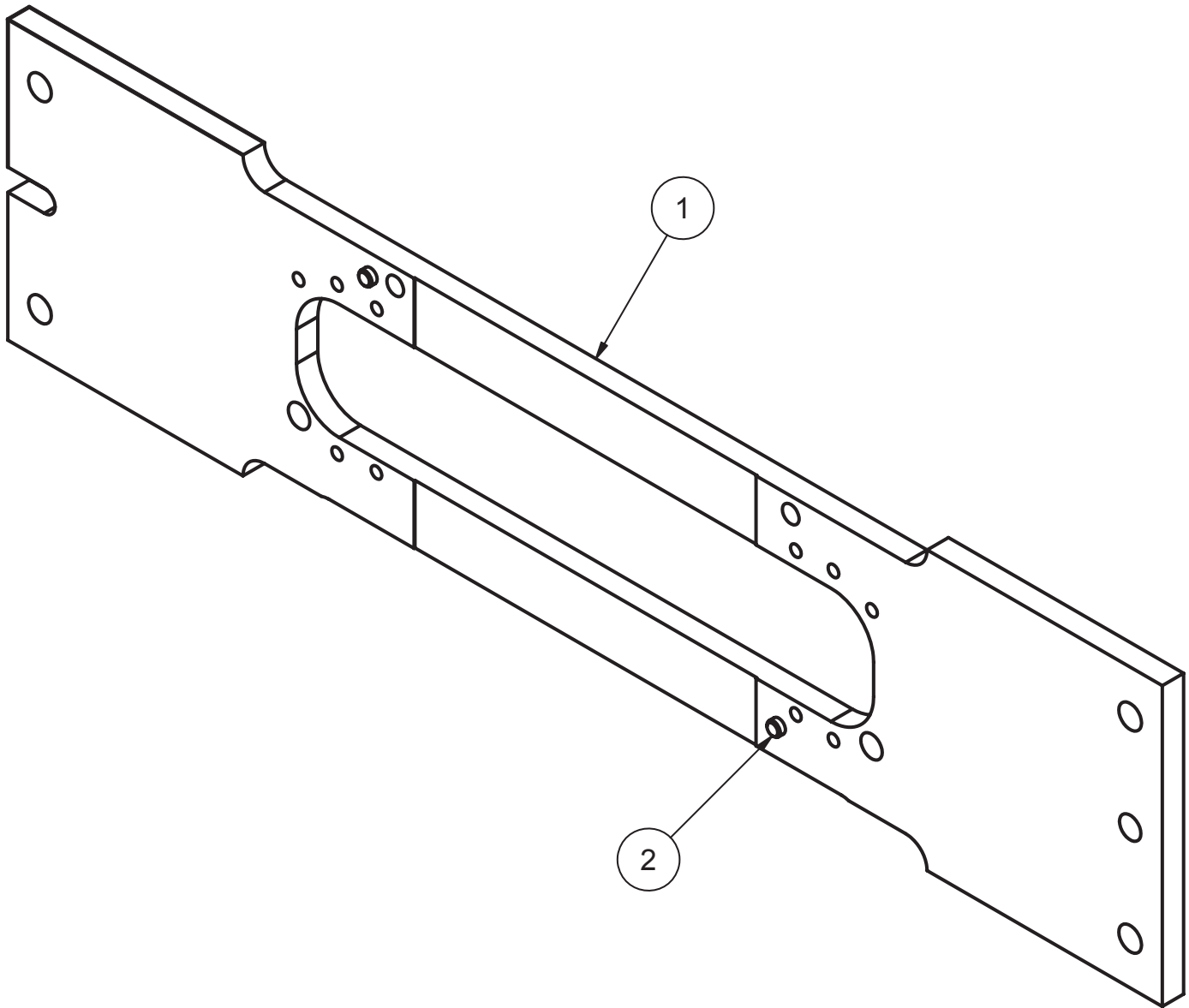
PFIX-ASTON ASTON MARTIN V8 HEAD FIXTURE ASSEMBLY - P69			
ITEM	QTY	PART NUMBER	DESCRIPTION
1	1	5504X	FIXTURE PLATE (HEAD STOCK), ASTON MARTIN V8 - P69
2	1	5504Y	FIXTURE PLATE (TAIL STOCK), ASTON MARTIN V8 - P69
3	1	5505Q	ALIGNMENT BAR, ASTON MARTIN V8 - P69
4	2	MF-15	1/4-20UNC x 1" LG. S.H.C.S
5	2	5505R	LOCATING PIN, ASTON MARTIN V8 HEAD - P69

PFIX-CYCLE Porting Fixture Parts



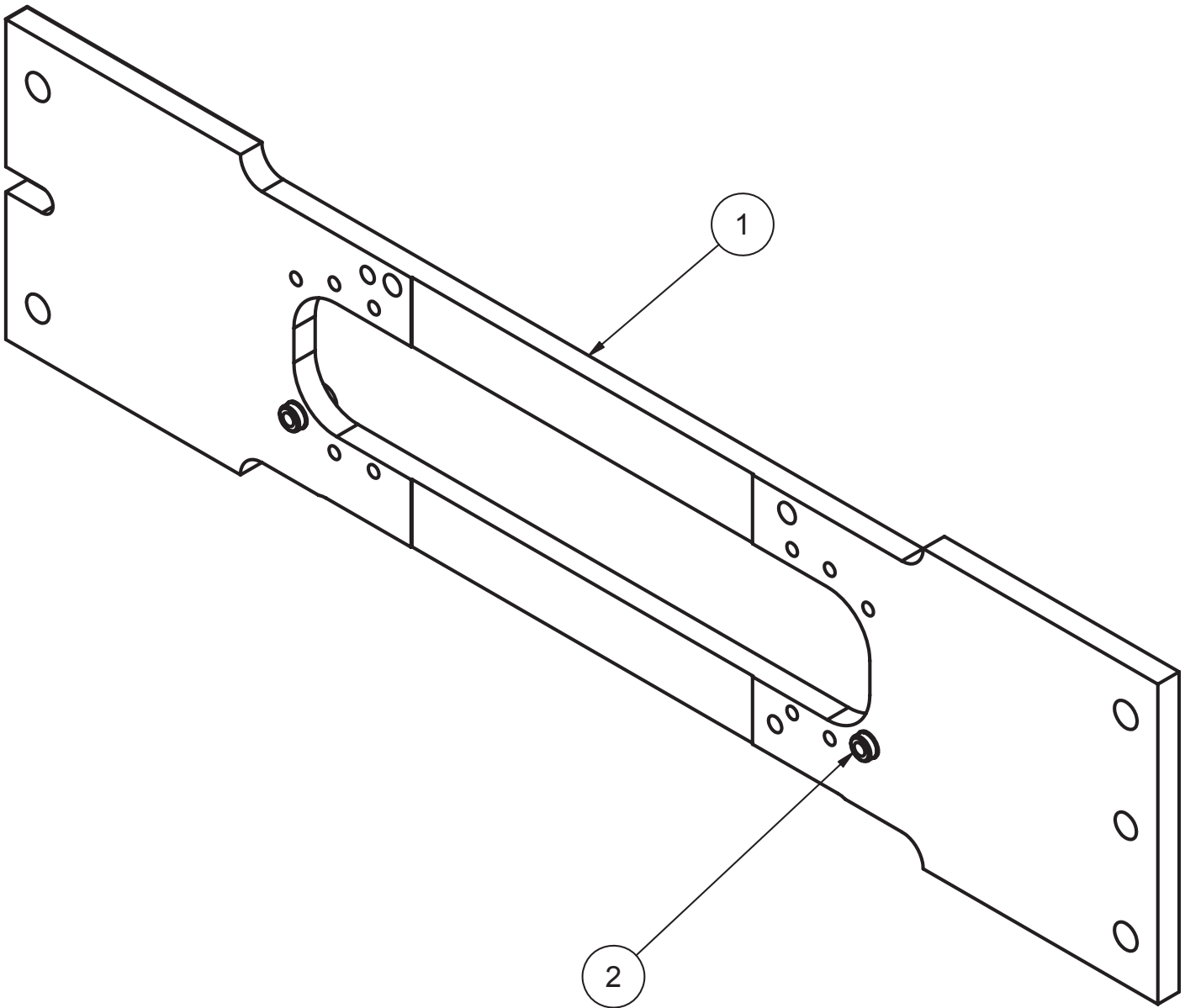
PFIX-CYCLE FIXTURE ASSEMBLY, HONDA INLINE 4 HEAD - P69			
ITEM	QTY	PART NUMBER	DESCRIPTION
1	1	5514	FIXTURE PLATE, HONDA INLINE 4/ TRIUMPH INLINE 3 HEADS - P69
2	2	5505S	LOCATING PIN, HONDA INLINE 4 HEAD - P69

PFIX-CYCLE1 Porting Fixture Parts



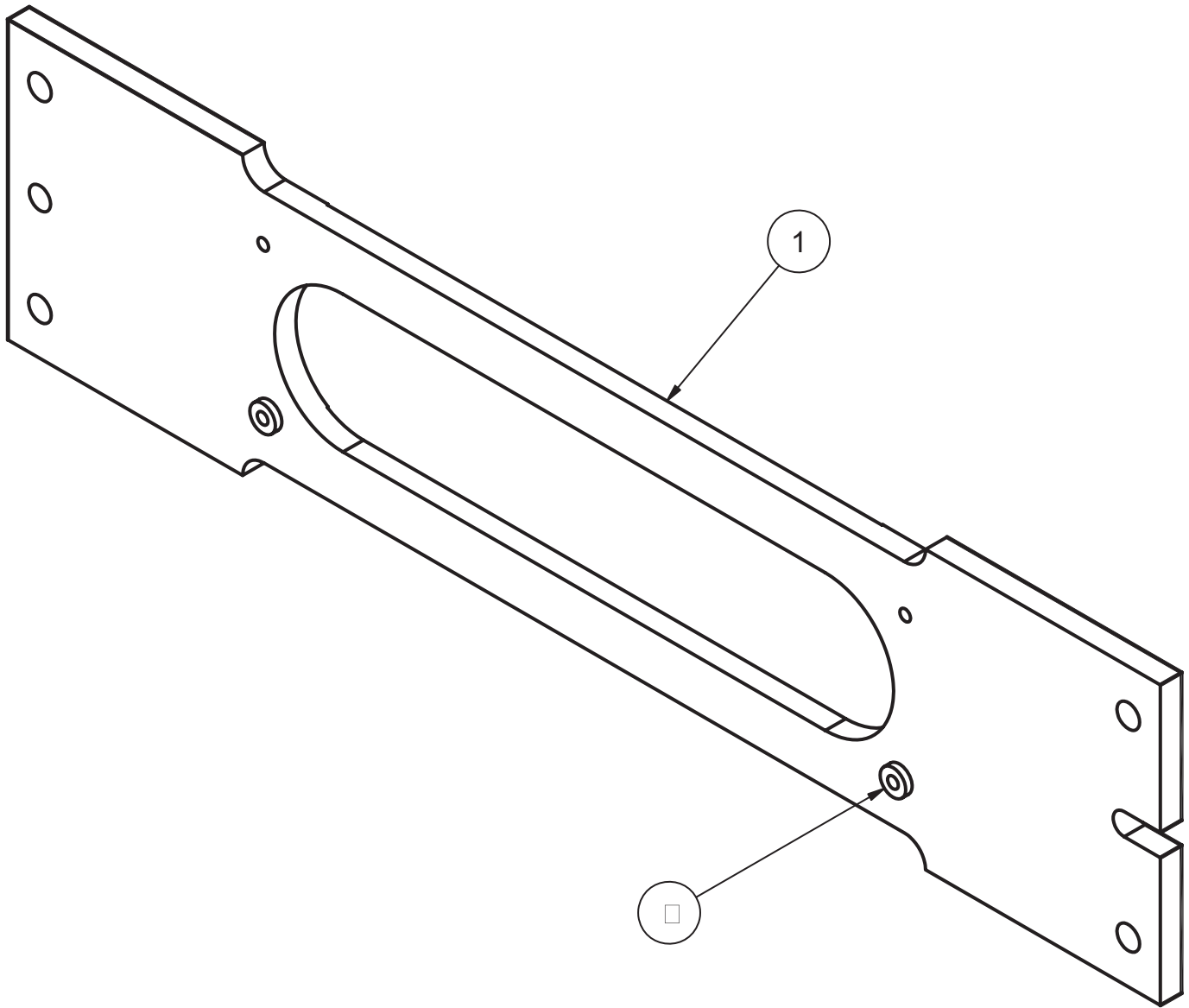
PFX-CYCLE1 FIXTURE ASSEMBLY, TRIUMPH INLINE 3 - P69			
ITEM	QTY	PART NUMBER	DESCRIPTION
1	1	5514	FIXTURE PLATE, HONDA INLINE 4/ TRIUMPH INLINE 3 HEADS - P69
2	2	5505C	LOCATING PIN, SMALL BLOCK CHEVROLET HEAD FIXTURE - P69

PFIX-CYCLE2 Porting Fixture Parts



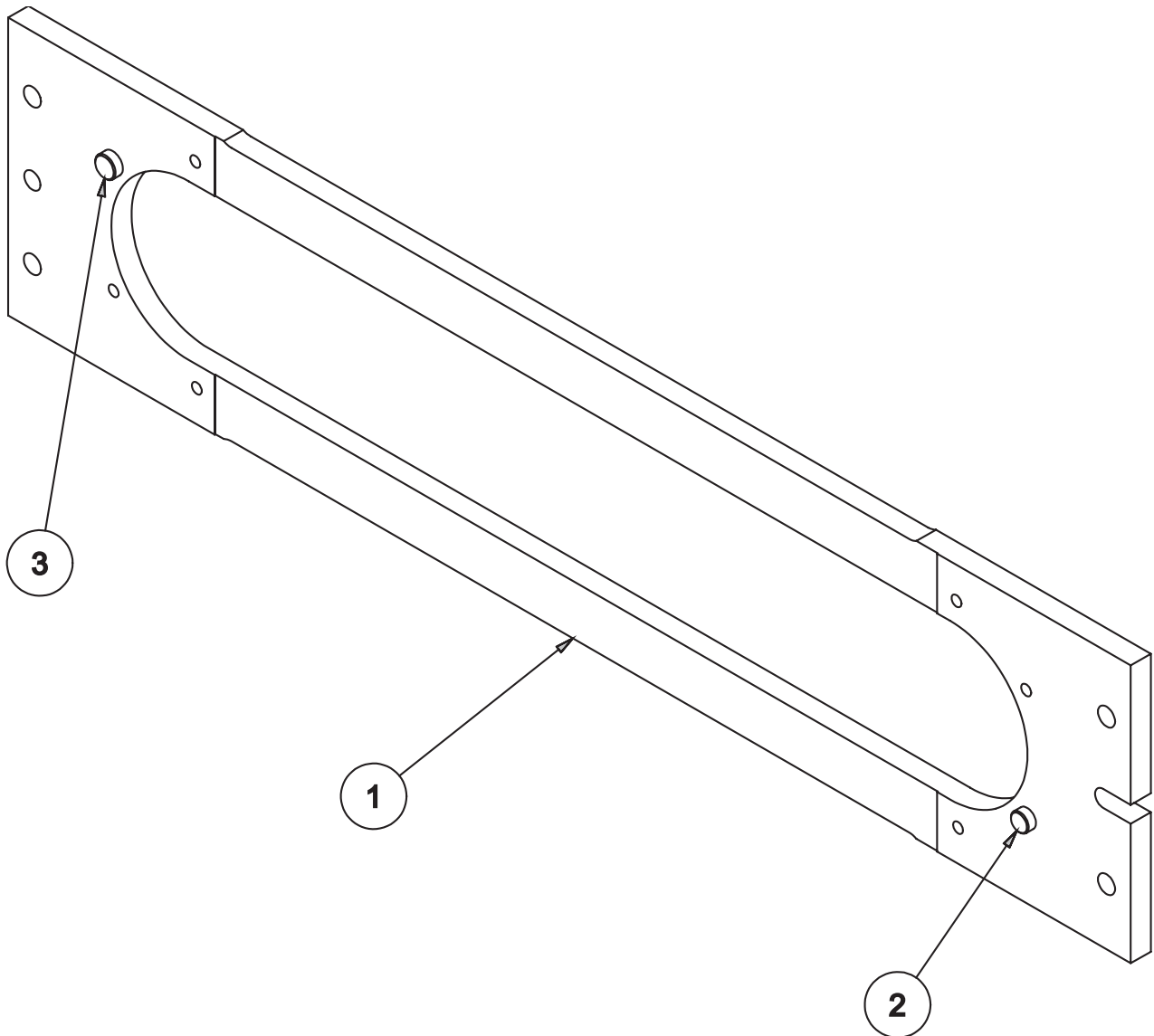
PFIX-CYCLE2 FIXTURE ASSEMBLY, DEMO HEAD #3 - P69			
ITEM	QTY	PART NUMBER	DESCRIPTION
1	1	5514	FIXTURE PLATE, HONDA INLINE 4/ TRIUMPH INLINE 3 HEADS - P69
2	2	5505T	LOCATING PIN, HEAD #3 - P69

PFIX-CYCLE3 Porting Fixture Parts



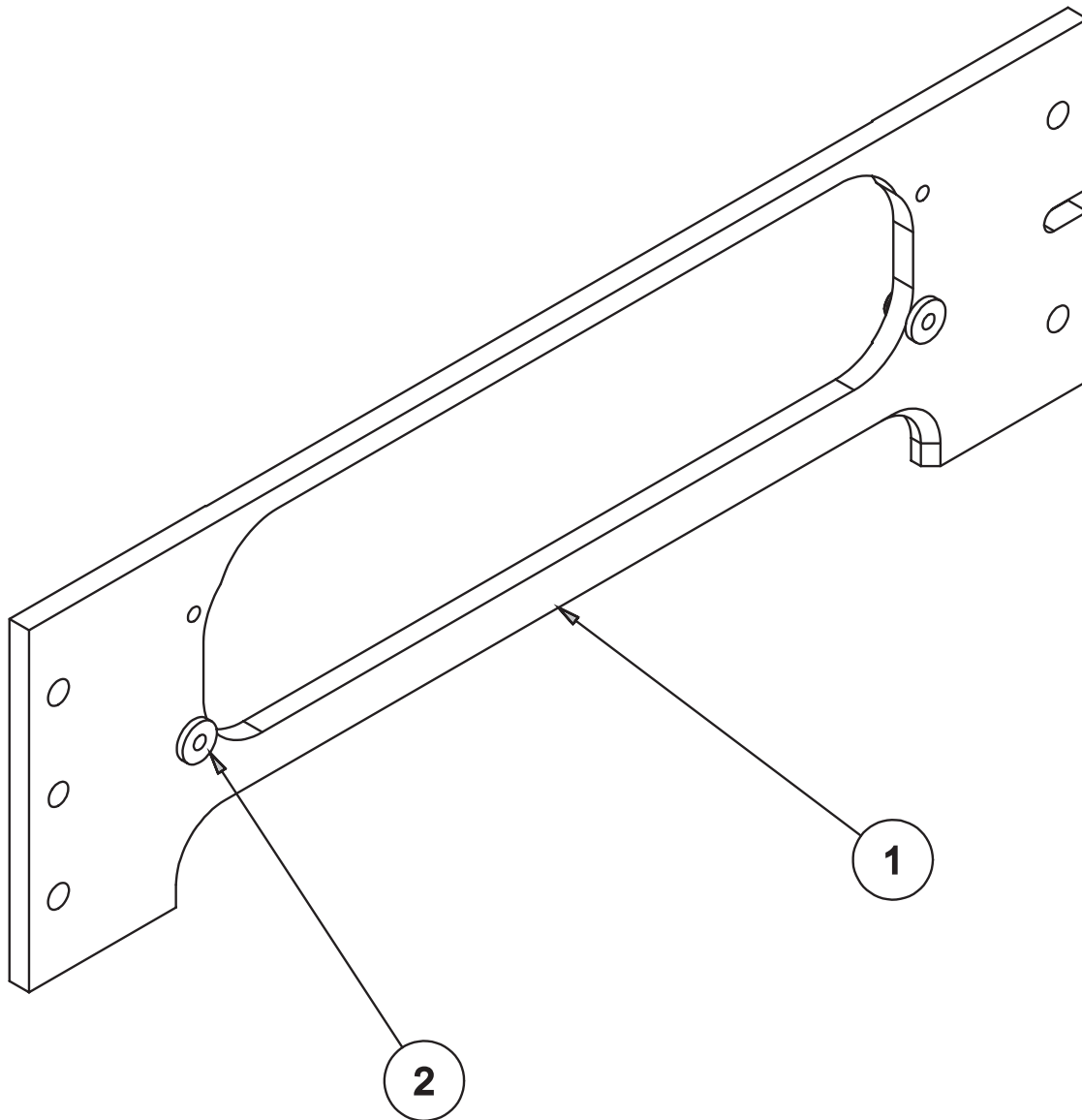
PFIX-CYCLE3 FIXTURE ASSEMBLY, YAMAHA YZF1000 HEAD - P69			
ITEM	QTY	PART NUMBER	DESCRIPTION
1	1	5514A	FIXTURE PLATE, MOTORCYCLE HEAD #4 - P69
□	□	5505U	LOCATING PIN, YAMAHA YZF1000 HEAD - P69

PFIX-DSL1 Porting Fixture Parts



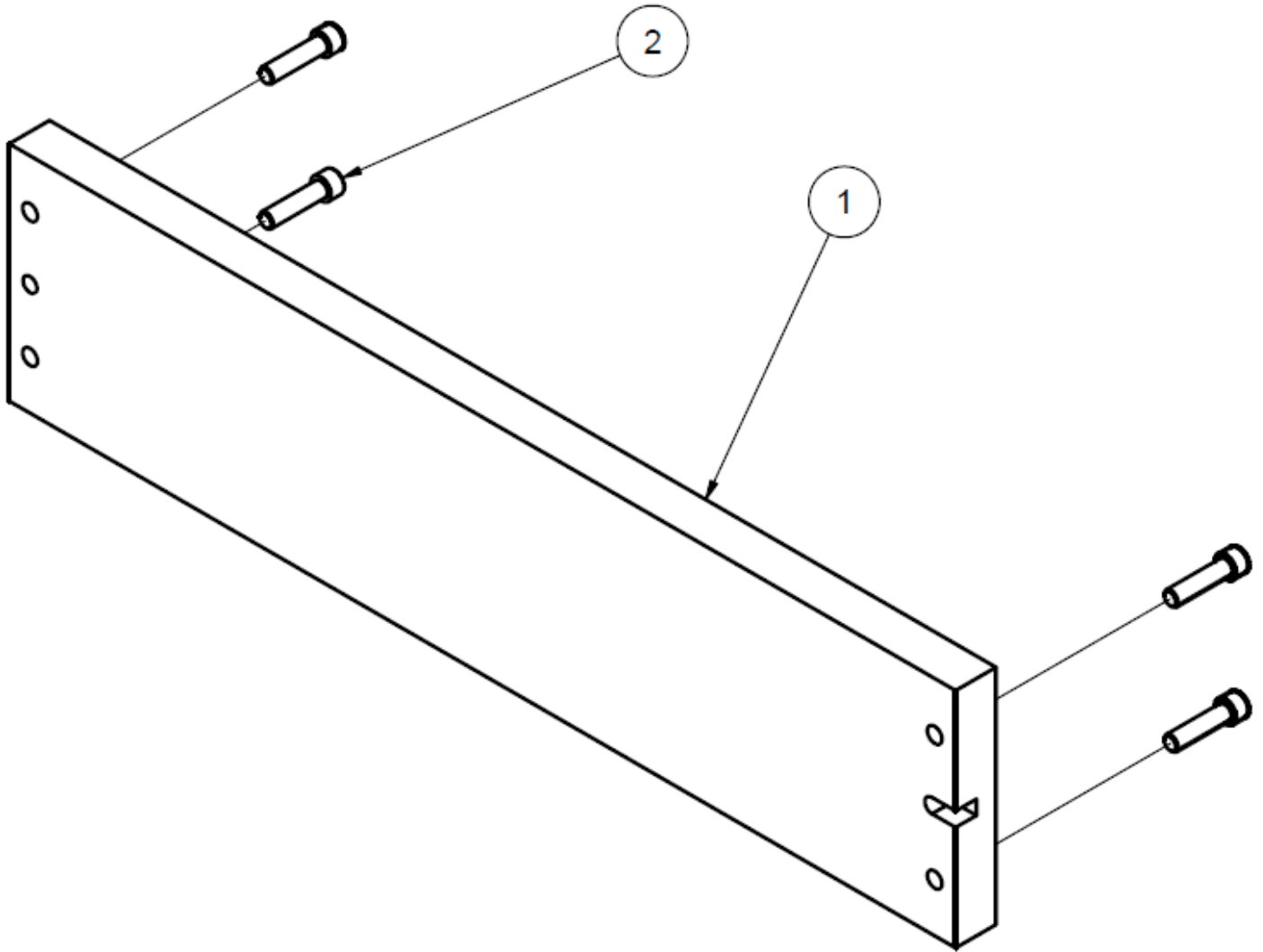
PFIX-DSL1 FIXTURE PLATE ASSEMBLY, CUMMINS 5.9L - P69			
ITEM	QTY	PART NUMBER	DESCRIPTION
1	1	5514C	FIXTURE PLATE (MACHINING) 5.9L CUMMINS - P69
2	1	5505W	LOCATING PIN #2, CUMMINS 5.9L CYLINDER HEAD - P69
3	1	5505V	LOCATING PIN #1, CUMMINS 5.9L CYLINDER HEAD - P69

PFIX-DSL2 Porting Fixture Parts



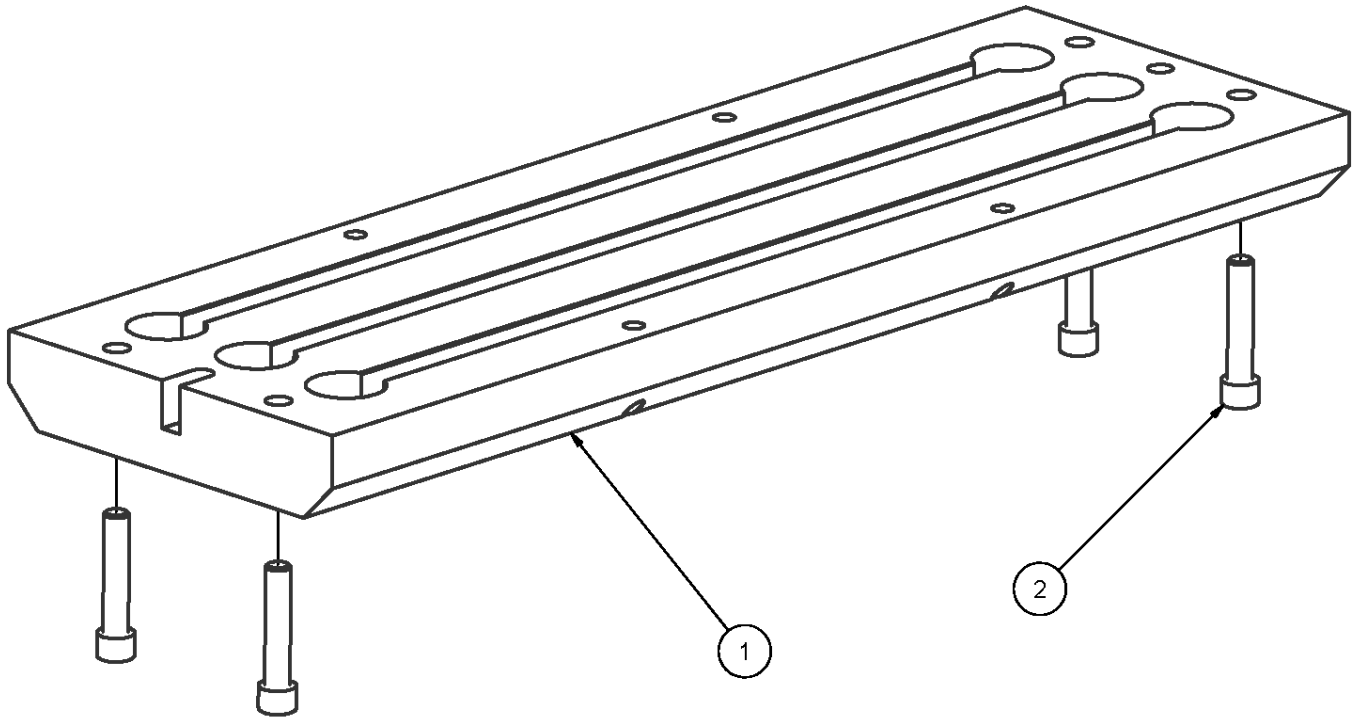
PFIX-DSL2 HEAD FIXTURE ASSEMBLY - DURAMAX DIESEL HEAD - P69			
ITEM	QTY	PART NUMBER	DESCRIPTION
1	1	5514D	FIXTURE (MACHINING) DURAMAX HEAD - P69
2	2	5505X	LOCATING PIN - DURAMAX HEAD FIXTURE - P69

5517B Universal Unfinished Fixture Plate Parts



5517B OVERHEAD CAM FIXTURE PLATE ASSEMBLY - P69			
ITEM	QTY	PART NUMBER	DESCRIPTION
1	1	5517A	OVERHEAD CAM FIXTURE PLATE - P69
2	4	MF-45	S.H.C.S. 1/2 - 13 UNC - 2

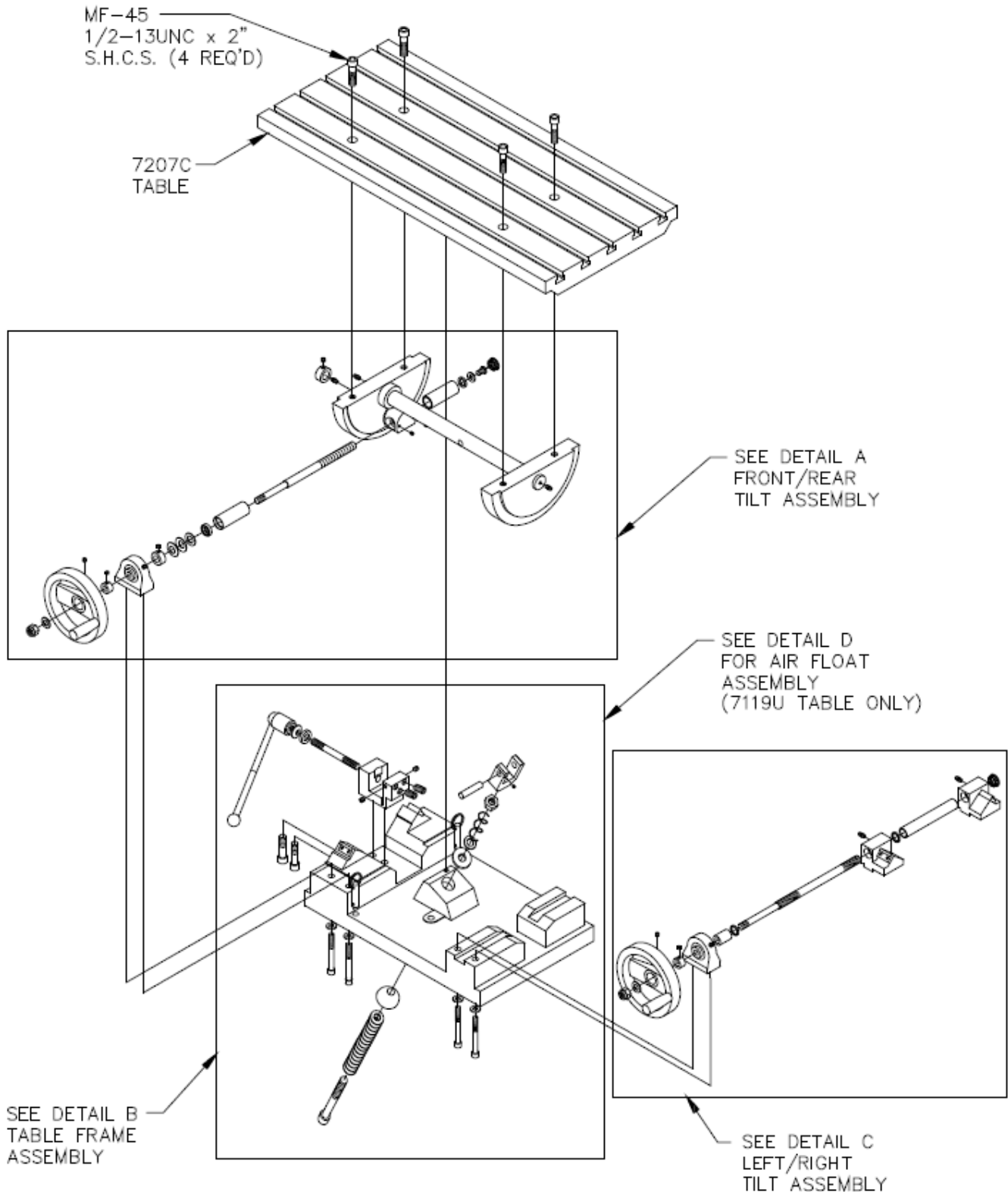
5517F Universal T Slot Table Parts



5517F T-SLOT TABLE ASSEMBLY, ROCK & ROLL FIXTURE			
ITEM	QTY	PART NUMBER	DESCRIPTION
1	1	5517G	T-SLOT TABLE, ROCK & ROLL FIXTURE
2	4	MF-45A	1/2-13UNC x 2-1/2" LG. S.H.C.S.

Universal Quick Leveling Cylinder Head Fixture

7209M Leveling Table Parts



Front / Rear Tilt Assembly Parts

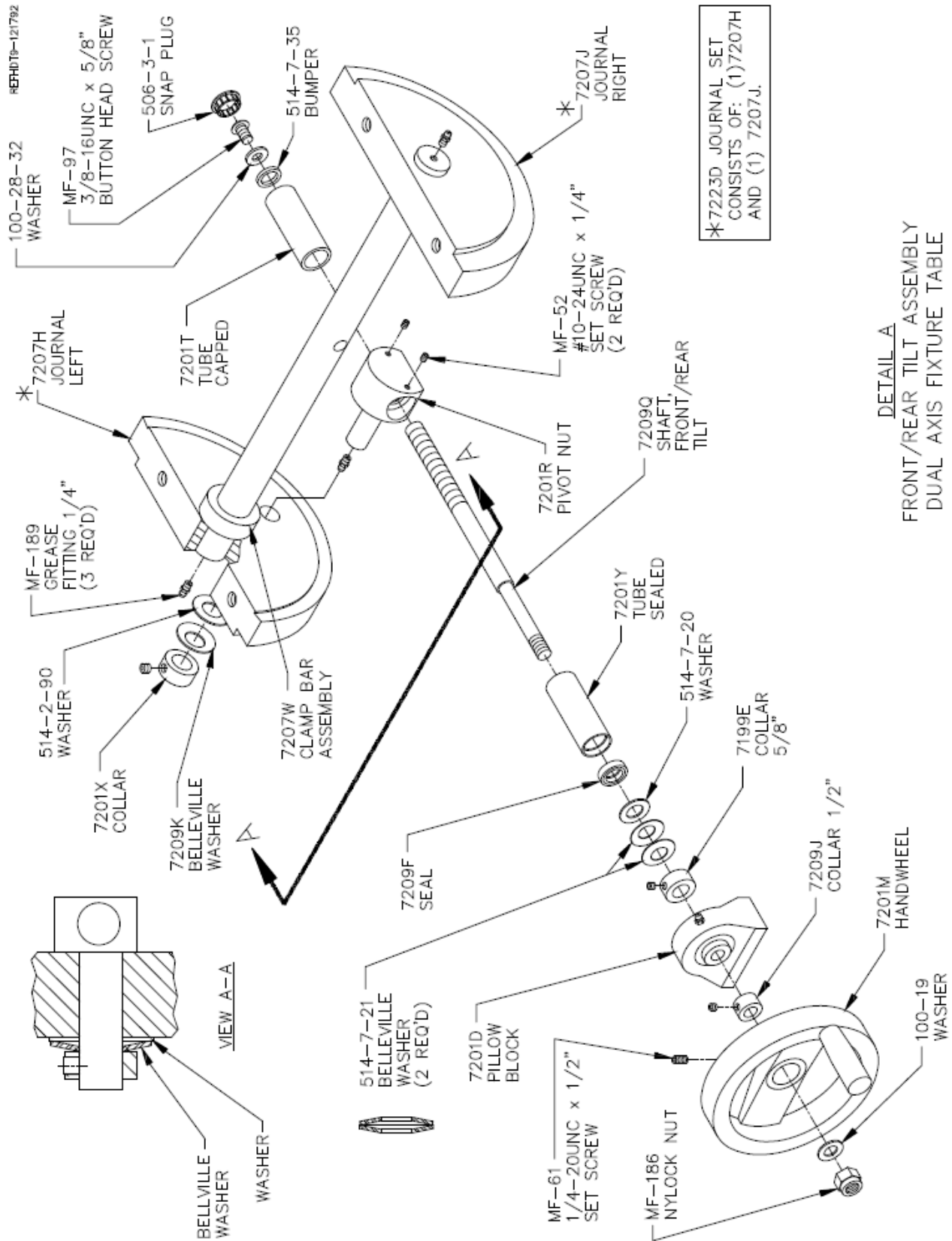
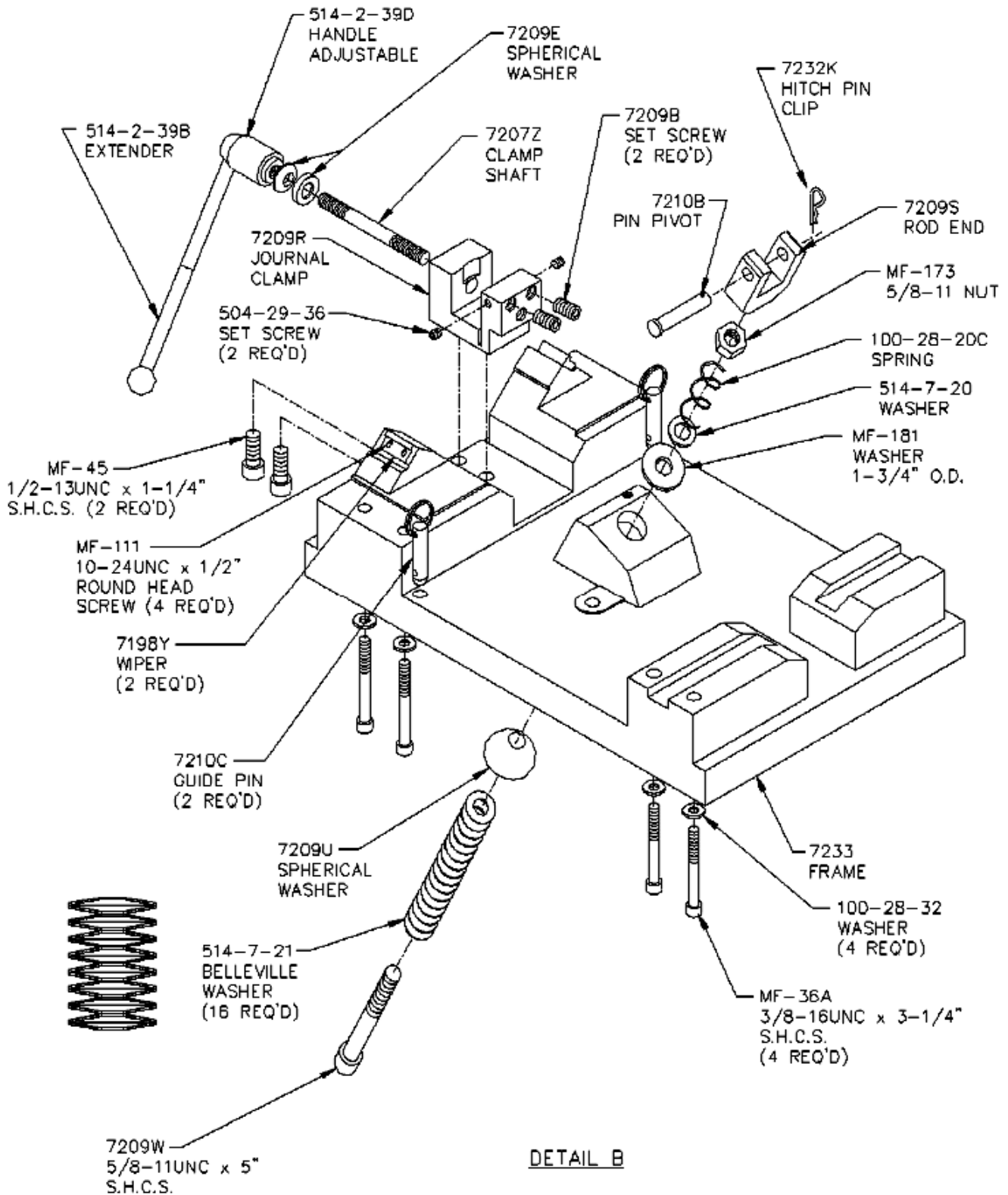
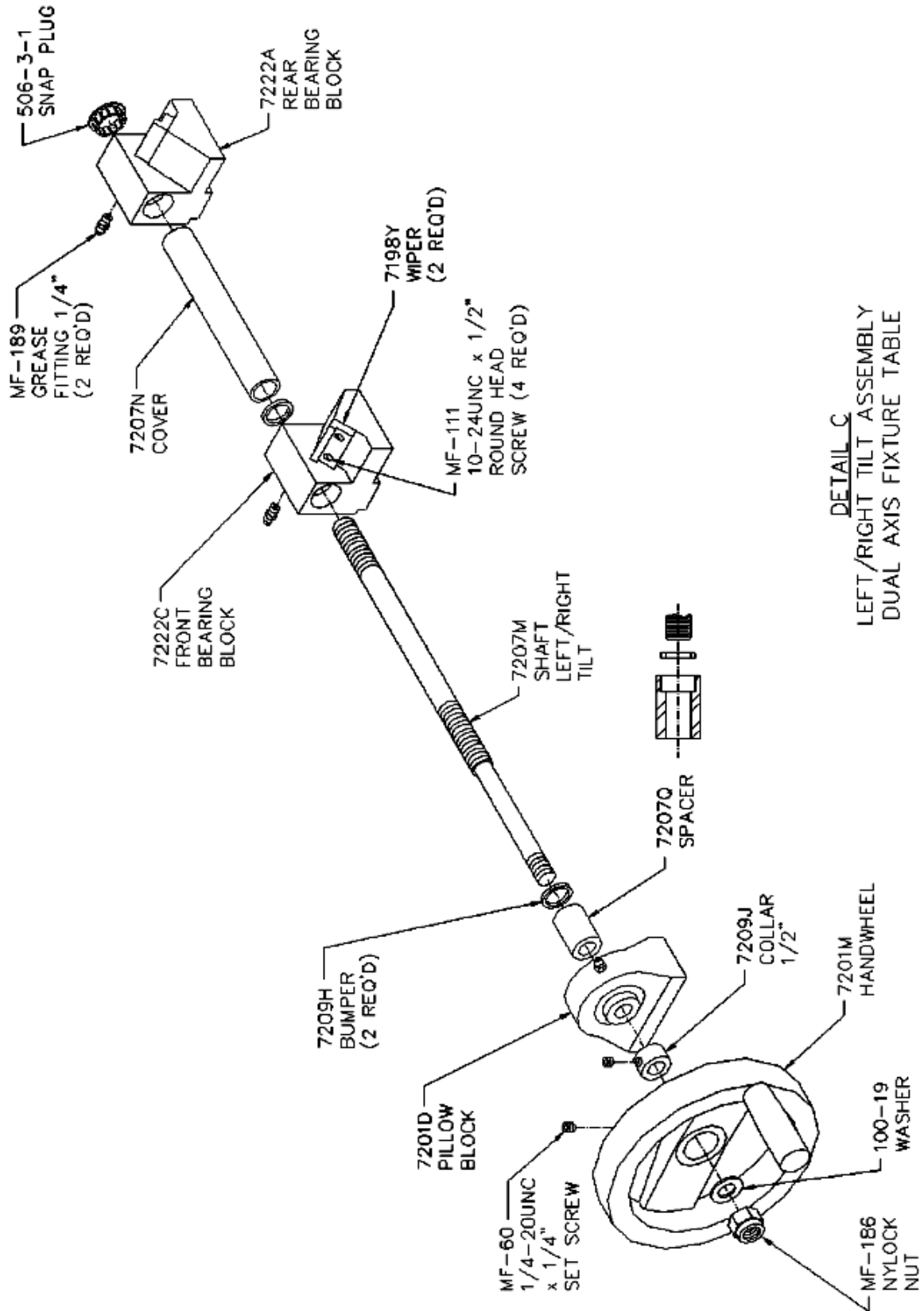


Table Frame Assembly Parts



Left / Right Tilt Assembly Parts

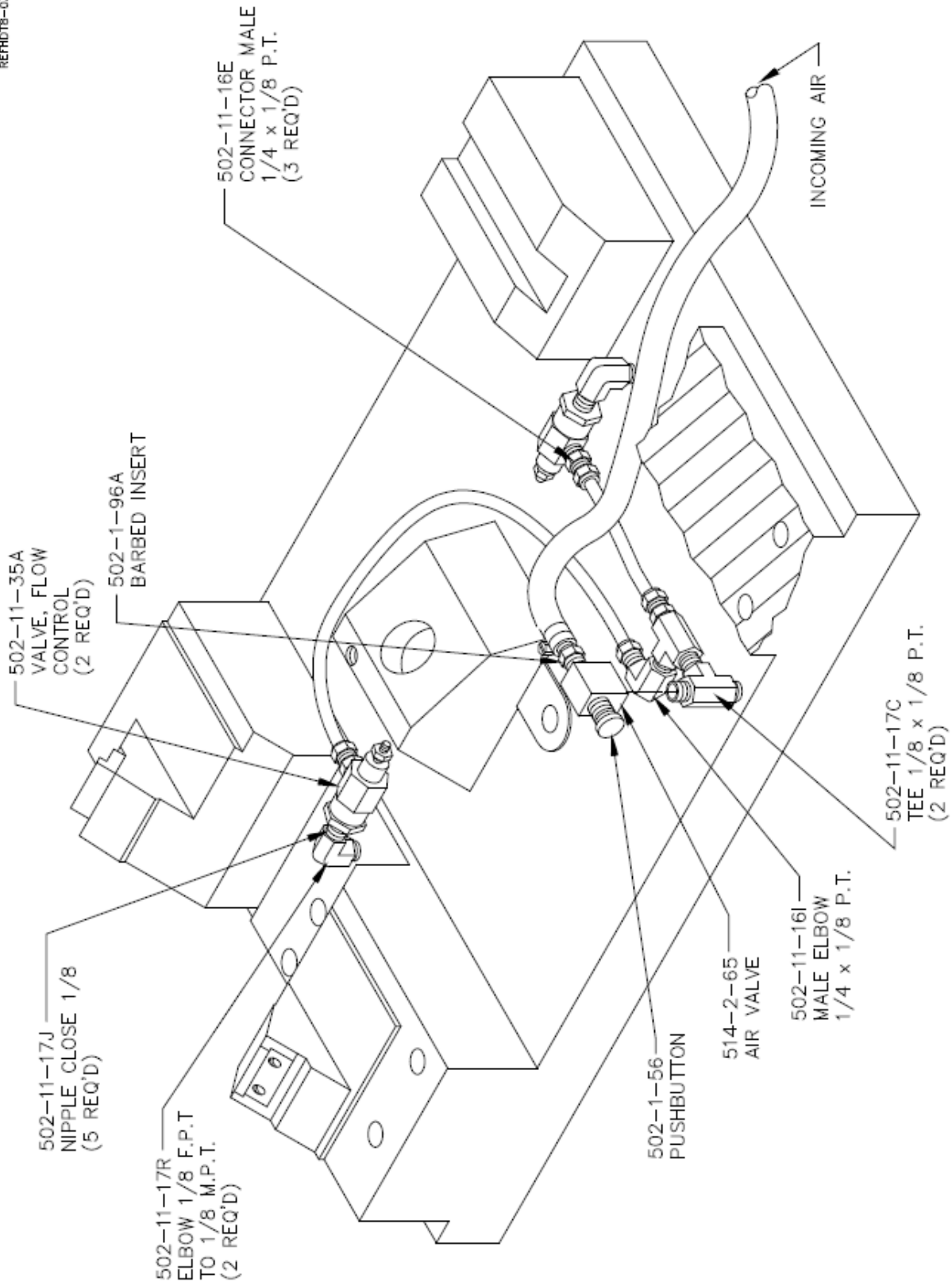
REF:HD11-090492



DETAIL C
LEFT/RIGHT TILT ASSEMBLY
DUAL AXIS FIXTURE TABLE

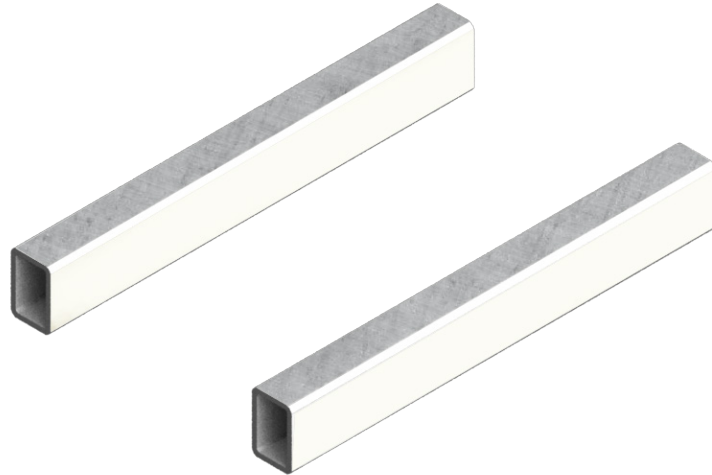
Air Float Assembly Parts

REFIDT8-031593

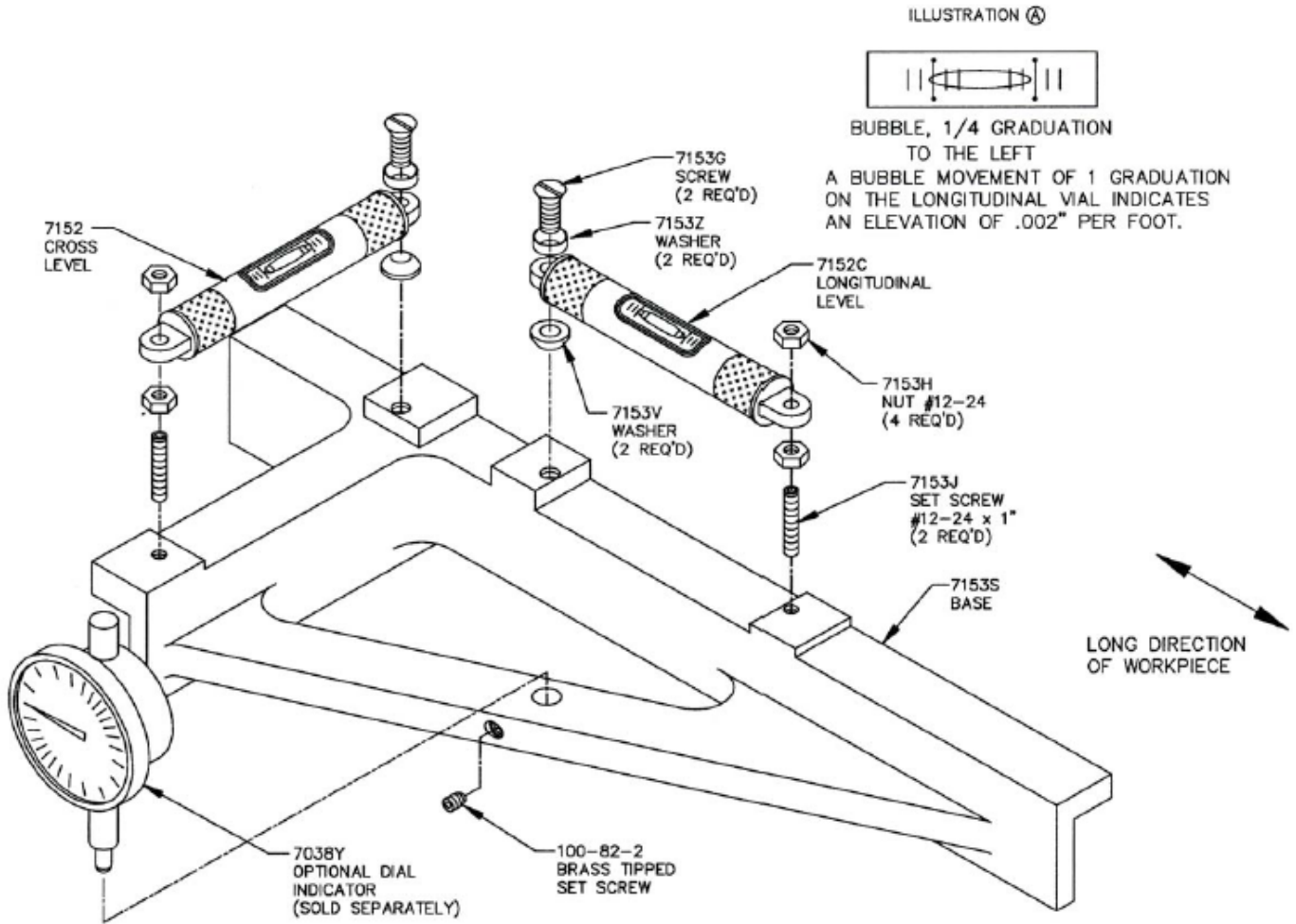


DETAIL D (7119W ONLY)
AIR FLOAT ASSEMBLY
DUAL AXIS FIXTURE TABLE

11115 2" (50mm) X 3" (75mm) Parallels



7152A Dual Axis Level Parts

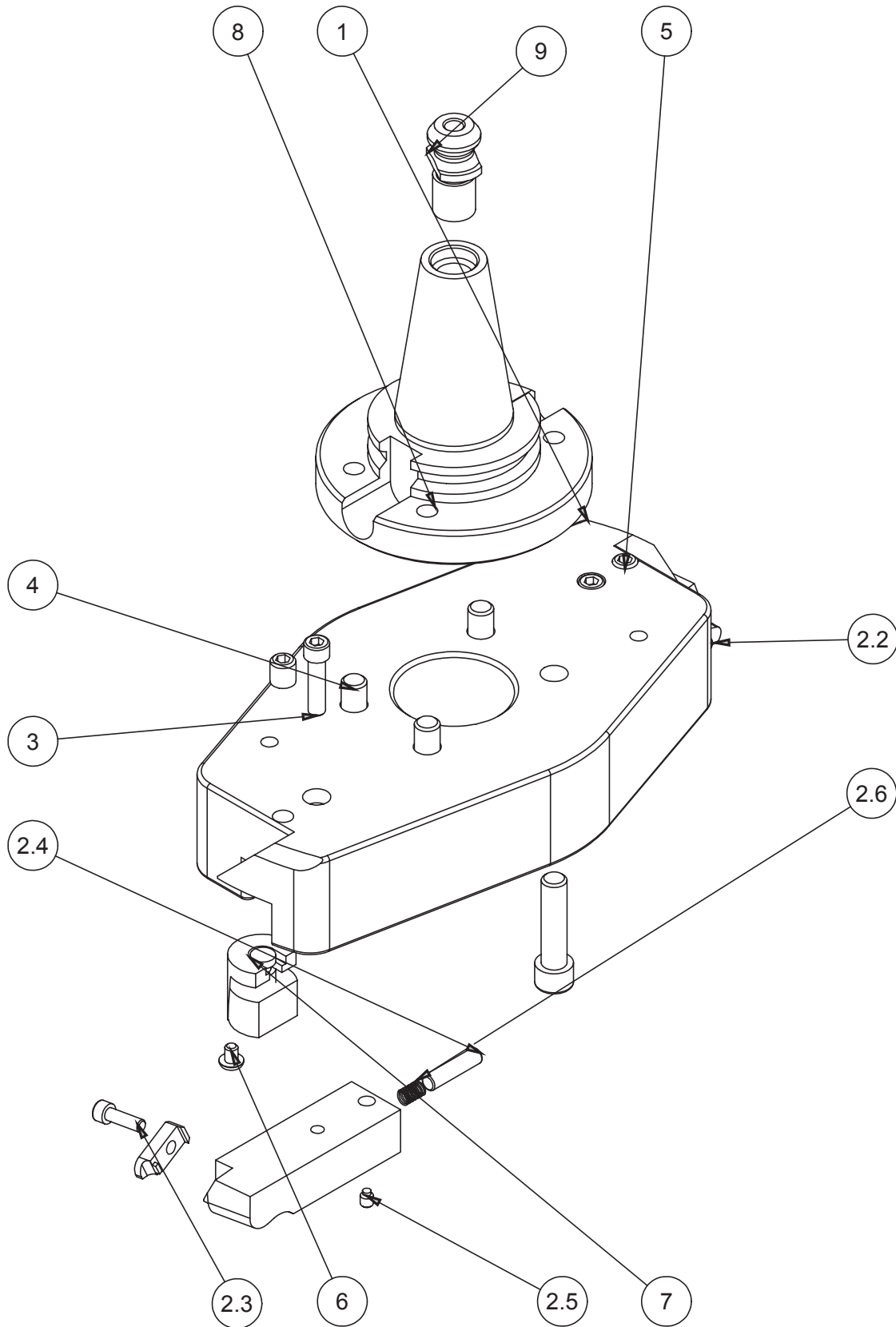


7152A - OPTIONAL DUAL
AXIS LEVEL ASSEMBLY




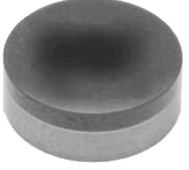

NOTE: 7152A ASSEMBLY DOES NOT INCLUDE 7038Y DIAL INDICATOR

Surface Milling Cutterheads for Surfacing Cylinder Head Fire Deck Gasket Surfaces

650-2-8E Surfacing Cutterhead Parts



Parts List			
ITEM	QTY	PART NUMBER	DESCRIPTION
1	1	7206L	Surfacing Cutter head
2	2	7202W	TOOL HOLDER ASSEMBLY, FLY CUTTER
2.1	1	7202P	Holder, Fly Cutter Tool
2.2	1	7202Q	Clamp, Tool Holder
2.3	1	ANSI B18.3 - 10-32 UNF - 0.625	Hexagon Socket Head Cap Screw
2.4	1	ANSI B18.8.2 - 1/4 x 1	Pin - Hardened Ground Production Dowel
2.5	1	100-82-2	Set Screw, brass tipped
2.6	1	100-82-4	Spring, Adjusting
3	2	Mf-15	Socket Head Cap screw 1/4 - 20 UNC - 1
4	4	Mf-33	Socket Head Cap screw 3/8 - 16 UNC - 1 1/2
5	2	ANSI B18.3 - 3/8-16 UNC x 0.44	Hexagon Socket Set Screw - Oval Point
6	2	Mf-87	Socket Button Head Cap Screw 10 - 24 x 1/4
7	2	7206K	L' LOCK
8	1	650-2-7E	Adapter, CAT 40
9	1	650-2-44L	CAT 40 Retention Knob

<p>6303B CBN Insert Round, Double-Sided, 3/8" (9.525mm) IC, for Cutting Cast Iron</p> 	<p>6303M PCD Insert Round, 3/8" (9.525mm) IC, for Cutting Aluminum</p> 	<p>6303K Coated Carbide Insert Round, 3/8" (9.525mm) IC, for General Purpose Use</p> 
<p>6303S CBN Insert, Round 3/8" (9.525mm) IC, for Cutting Aluminum Blocks with Liners</p> 	<p>6303U CBN Round Insert Single Sided, 3/8" IC. For hard cast iron</p> 	

Porting Tool Holders

PTH-250-CAT40 1/4" (19.05mm) Diameter CAT40 Taper



PTH-500-CAT40 1/2" (12.7mm) Diameter CAT40 Taper



PTH-625-CAT40 5/8" (15.875mm) Diameter CAT40 Taper



Combustion Chamber Tooling

EM-250 Ball Nose End Mill

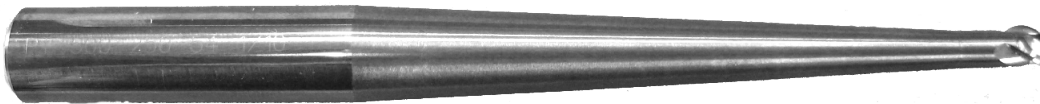
1/4" (19.05mm)



Porting Tools

PT500-250-54 Ball Mill

1/2 diameter shank X 1/4 diameter X 5.40" long (12.7 X 19.05 X 137.16mm)



PT500-250-60 Ball Mill

1/2 diameter shank X 1/4 diameter X 6.00" long (12.7 X 19.05 X 152.4mm)



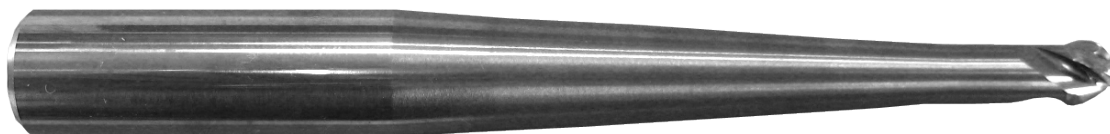
PT500-375-60 Ball Mill

1/2 diameter shank X 3/8 diameter X 6.00" long (12.7 X 9.525 X 152.4mm)



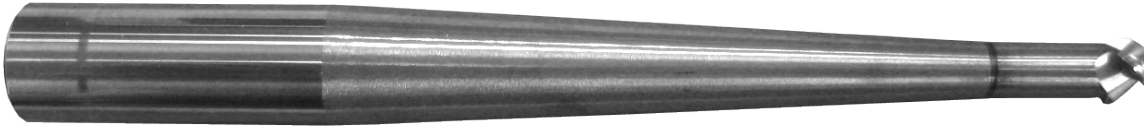
PT625-375-54 Ball Mill

5/8 diameter shank X 3/8 diameter X 5.40" long (15.875 X 9.525 X 137.16mm)



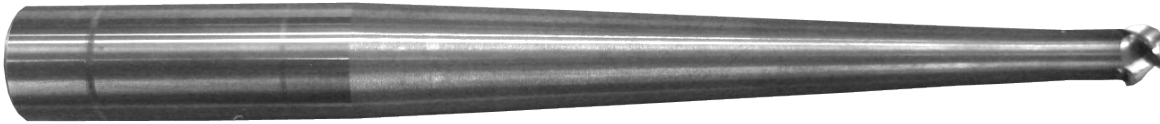
PT625-375-60 Ball Mill

5/8 diameter shank X 3/8 diameter X 6.00" long (15.875 X 9.525 X 152.4mm)



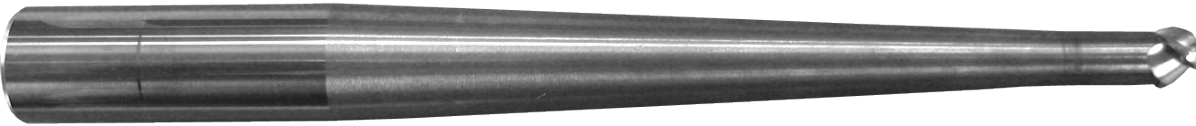
PT625-375-64 Ball Mill

5/8 diameter shank X 3/8 diameter X 6.40" long (15.875 X 9.525 X 165.56mm)



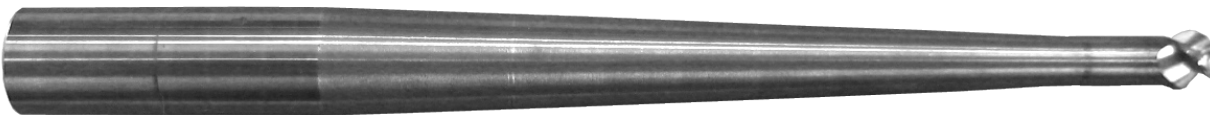
PT625-375-65 Ball Mill

5/8 diameter shank X 3/8 diameter X 6.50" long (15.875 X 9.525 X 165.1mm)



PT625-375-70 Ball Mill

5/8 diameter shank X 3/8 diameter X 7.00" long (15.875 X 9.525 X 177.8mm)



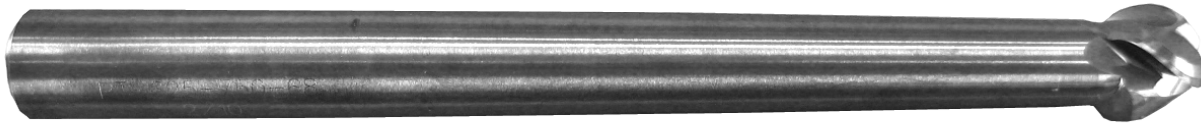
PT625-375-75 Ball Mill

5/8 diameter shank X 3/8 diameter X 7.50" long (15.875 X 9.525 X 190.5mm)



PT625-750-68 Ball Mill

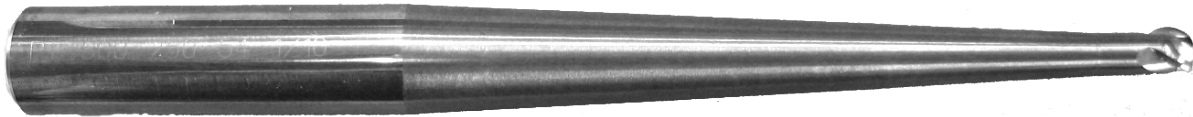
5/8 diameter shank X 3/4 diameter X 6.80" long (15.875 X 19.05 X 172.72mm)



Porting Tools for Cast Iron

PT500-250-54CI Ball Mill

1/2 diameter shank X 1/4 diameter X 5.40" long (12.7 X 19.05 X 137.16mm)



PT500-250-60CI Ball Mill

1/2 diameter shank X 1/4 diameter X 6.00" long (12.7 X 19.05 X 152.4mm)



PT500-375-60CI Ball Mill

1/2 diameter shank X 3/8 diameter X 6.00" long (12.7 X 9.525 X 152.4mm)



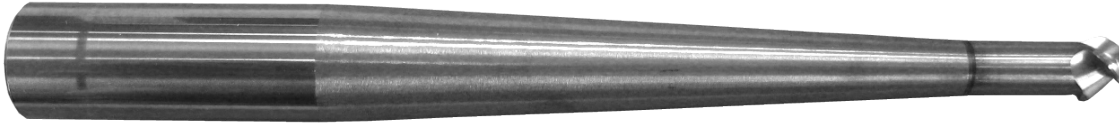
PT625-375-54CI Ball Mill

5/8 diameter shank X 3/8 diameter X 5.40" long (15.875 X 9.525 X 137.16mm)



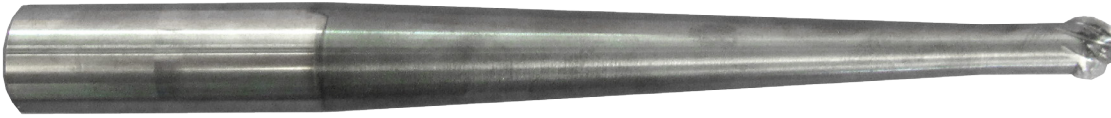
PT625-375-60CI Ball Mill

5/8 diameter shank X 3/8 diameter X 6.00" long (15.875 X 9.525 X 152.4mm)



PT625-375-64CI Ball Mill

5/8 diameter shank X 3/8 diameter X 6.40" long (15.875 X 9.525 X 165.56mm)



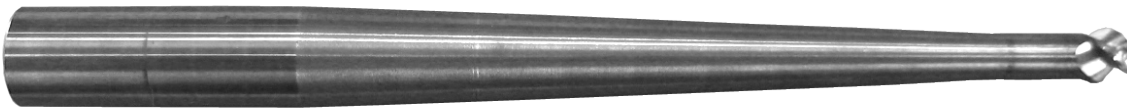
PT625-375-65CI Ball Mill

5/8 diameter shank X 3/8 diameter X 6.50" long (15.875 X 9.525 X 165.1mm)



PT625-375-70CI Ball Mill

5/8 diameter shank X 3/8 diameter X 7.00" long (15.875 X 9.525 X 177.8mm)



PT625-750-68CI Ball Mill

5/8 diameter shank X 3/4 diameter X 6.80" long (15.875 X 19.05 X 172.72mm)



Porting Tools for Ductile Iron

PT625-375-65DI

5/8" shank - 3/8" ball - for ductile iron

Image Currently Unavailable

PT625-500-65DI

5/8" shank - 1/2" ball - for ductile iron

Image Currently Unavailable